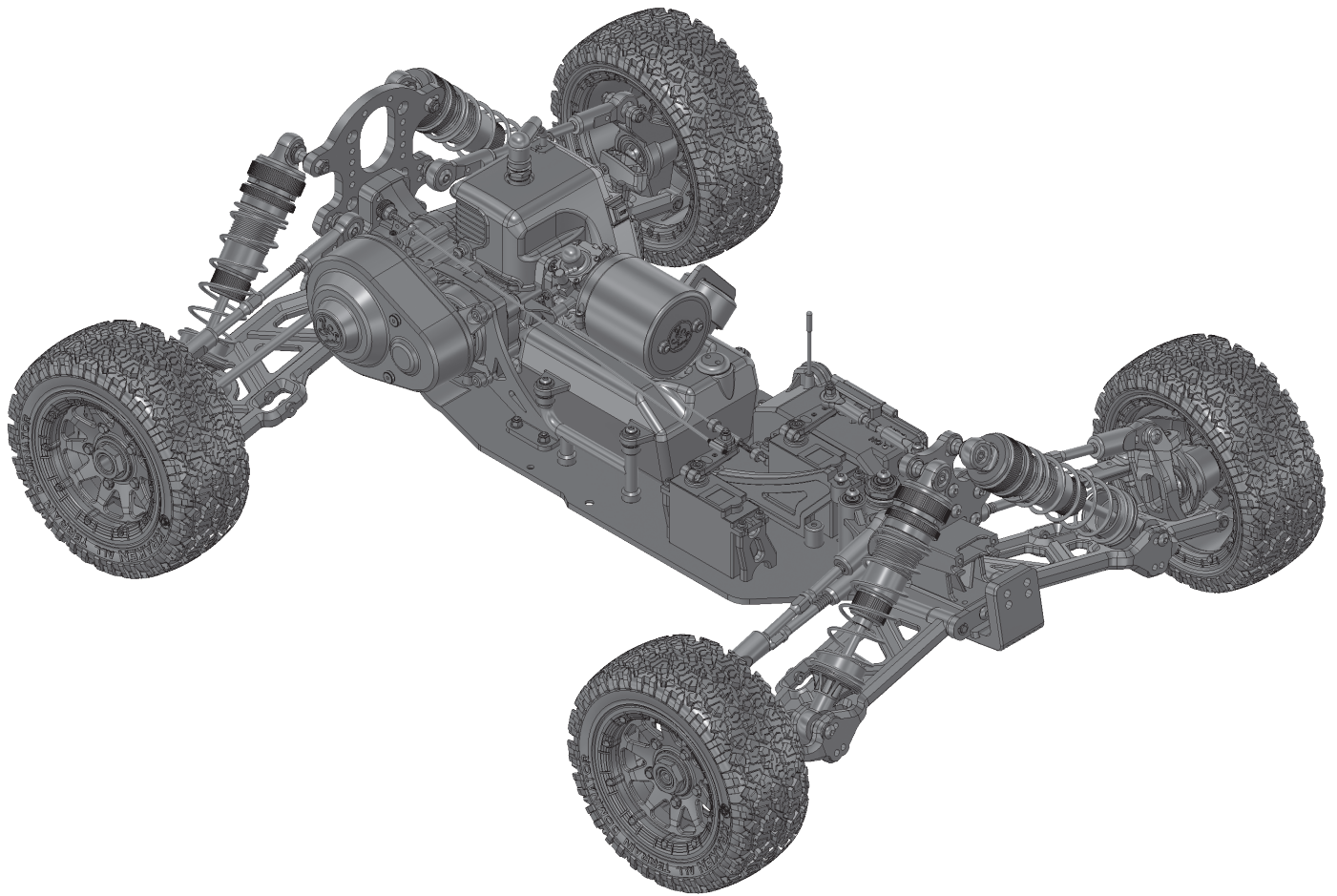


VESLA.5



SBK

What this Warranty Covers

Kraken RC warrants to the original purchaser that the product purchased (the “Product”) will be free from defects in materials and workmanship at the date of purchase

What is Not Covered

This warranty is not transferable and does not cover (i) cosmetic damage, (ii) damage due to acts of God, accident, misuse, abuse, negligence, commercial use, or due to improper use, installation, operation or maintenance, (iii) modification of or to any part of the Product, (iv) attempted service by anyone other than a Kraken RC authorized dealer, (v) Product not purchased from an authorized Kraken RC dealer, (vi) Product not compliant with applicable technical regulations, or (vii) use that violates any applicable laws, rules, or regulations.

OTHER THAN THE EXPRESS WARRANTY ABOVE, KRAKEN RC MAKES NO OTHER WARRANTY OR REPRESENTATION, AND HEREBY DISCLAIMS ANY AND ALL IMPLIED WARRANTIES, INCLUDING, WITHOUT LIMITATION, THE IMPLIED WARRANTIES OF NONINFRINGEMENT, MERCHANTABILITY AND FITNESS FOR A PARTICULAR PURPOSE. THE PURCHASER ACKNOWLEDGES THAT THEY ALONE HAVE DETERMINED THAT THE PRODUCT WILL SUITABLY MEET THE REQUIREMENTS OF THE PURCHASER’S INTENDED USE.

Purchaser’s Remedy

Kraken RC’s sole obligation and purchaser’s sole and exclusive remedy shall be that Kraken RC will, at its option, either (i) service, or (ii) replace, any Product determined by Kraken RC to be defective. Kraken RC reserves the right to inspect any and all Product(s) involved in a warranty claim. Service or replacement decisions are at the sole discretion of Kraken RC. Proof of purchase is required for all warranty claims. SERVICE OR REPLACEMENT AS PROVIDED UNDER THIS WARRANTY IS THE PURCHASER’S SOLE AND EXCLUSIVE REMEDY.

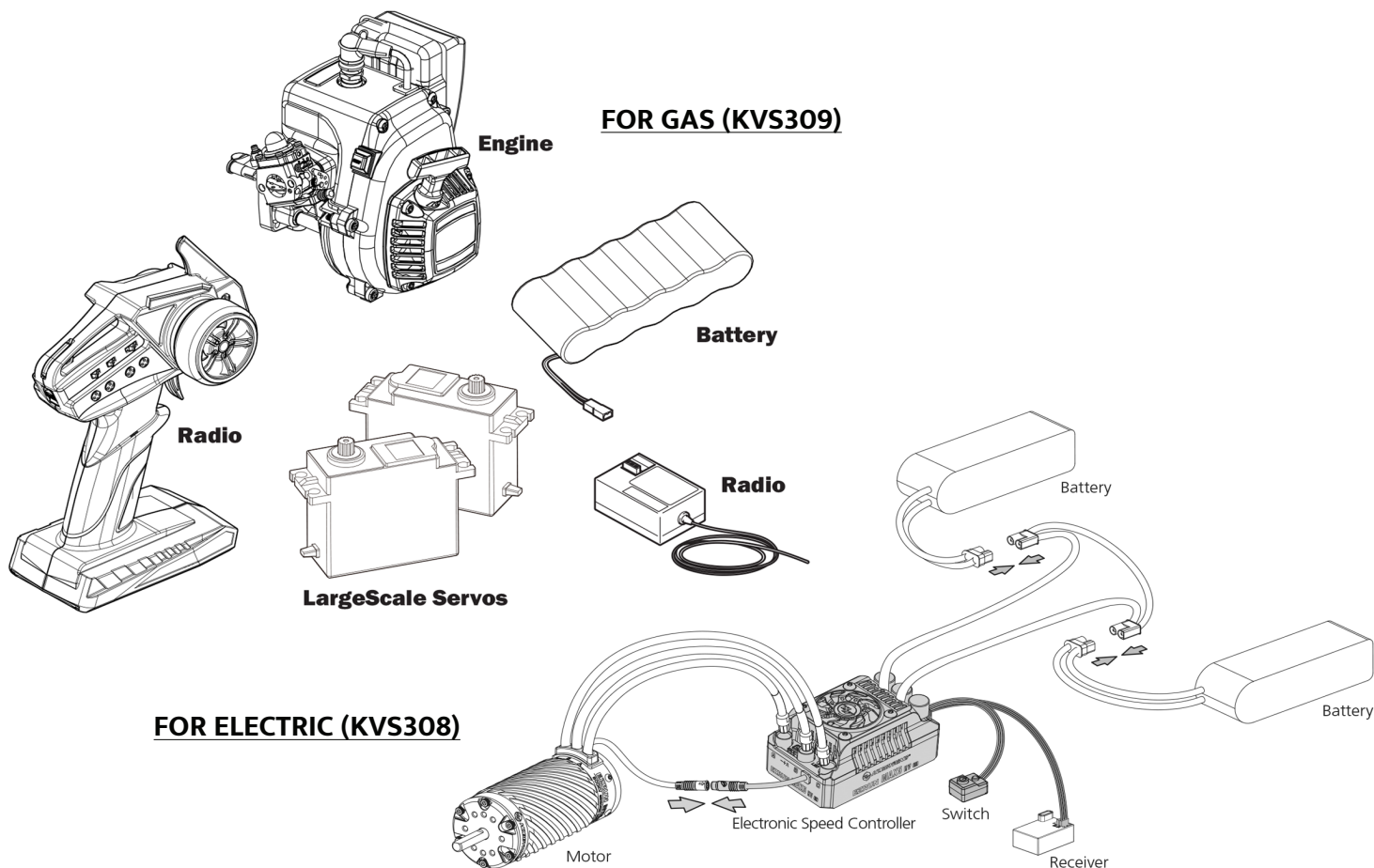
Limitation of Liability

KRAKEN RC SHALL NOT BE LIABLE FOR SPECIAL, INDIRECT, INCIDENTAL OR CONSEQUENTIAL DAMAGES, LOSS OF PROFITS OR PRODUCTION OR COMMERCIAL LOSS IN ANY WAY, REGARDLESS OF WHETHER SUCH CLAIM IS BASED IN CONTRACT, WARRANTY, TORT, NEGLIGENCE, STRICT LIABILITY OR ANY OTHER THEORY OF LIABILITY, EVEN IF KRAKEN RC HAS BEEN ADVISED OF THE POSSIBILITY OF SUCH DAMAGES. Further, in no event shall the liability of Kraken RC exceed the individual price of the Product on which liability is asserted. As Kraken RC has no control over use, setup, final assembly, modification or misuse, no liability shall be assumed nor accepted for any resulting damage or injury. By the act of use, setup or assembly, the user accepts all resulting liability. If you as the purchaser or user are not prepared to accept the liability associated with the use of the Product, purchaser is advised to return the Product immediately in new and unused condition to the place of purchase.

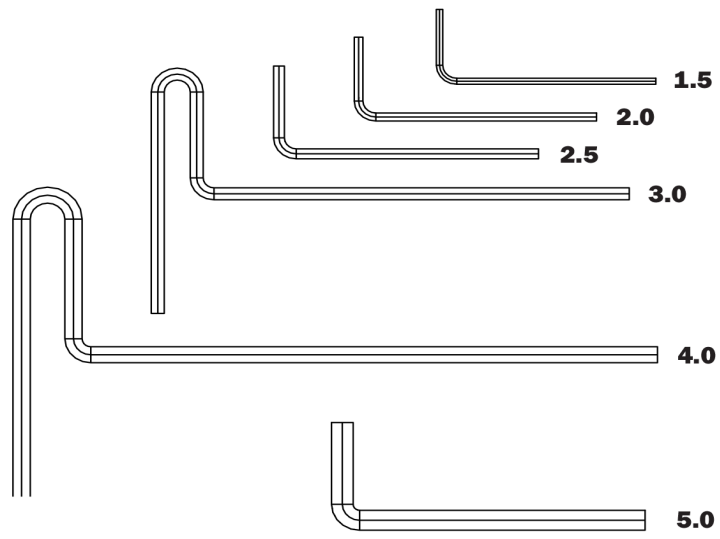
Law

These terms are governed by California’s law (without regard to conflict of law principals). This warranty gives you specific legal rights, and you may also have other rights which vary from state to state. Kraken RC reserves the right to change or modify this warranty at any time without notice.

ITEMS NEEDED TO COMPLETE



NOT INCLUDED TOOLS AND ADHESIVES

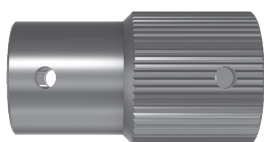


RED 262

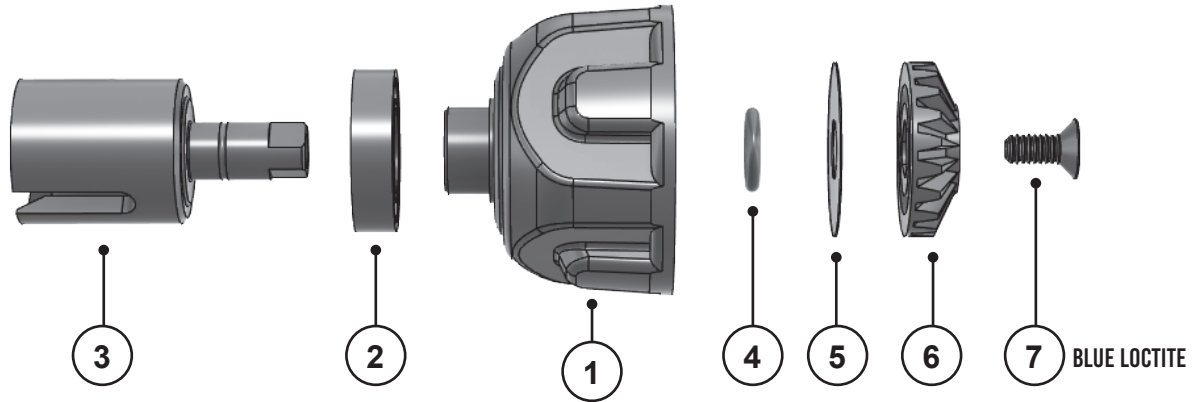
BLUE 242

RETAINING COMPOUND 638

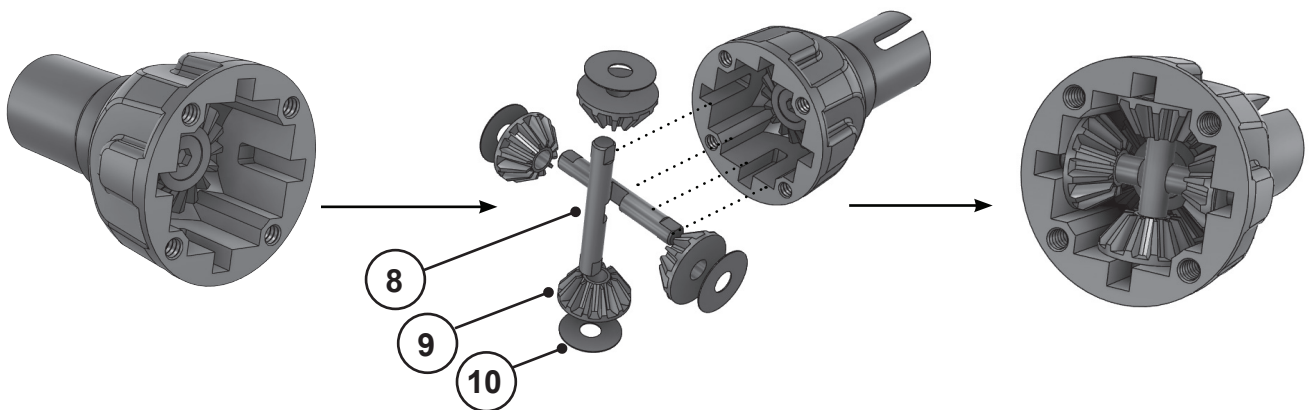
INCLUDED SOCKET TOOL



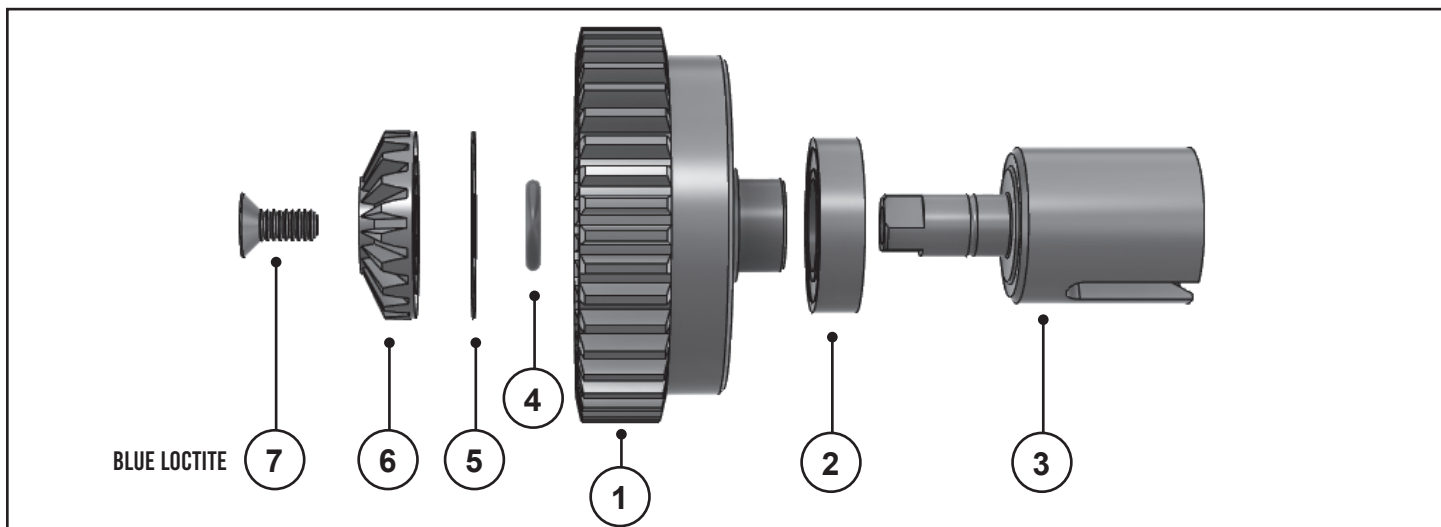
BAG-A



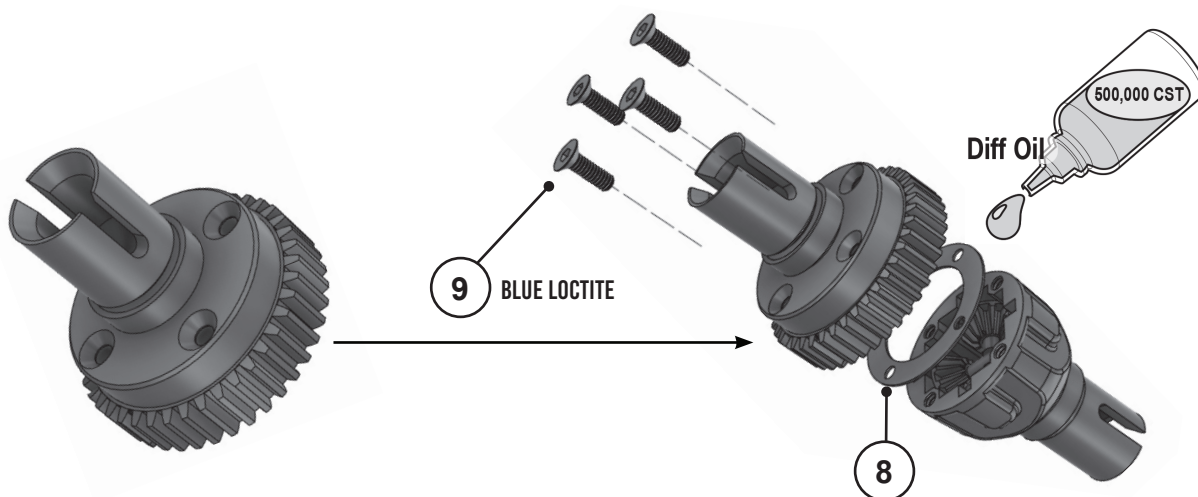
ASSEMBLY	ITEM NUMBER	NAME	QTY
1	KV4436	Diff Case	1
2	KV3317	Bearing 15x28x7mm	1
3	KV5547	Diff Out Drive	1
4	KV3304	O-Ring 9.8x2.4mm	1
5	KV4428	Diff Washer 10x30x03mm	1
6	KV4425	Diff Bevel Sun Gear	1
7	KV3365	FH5x12mm	1



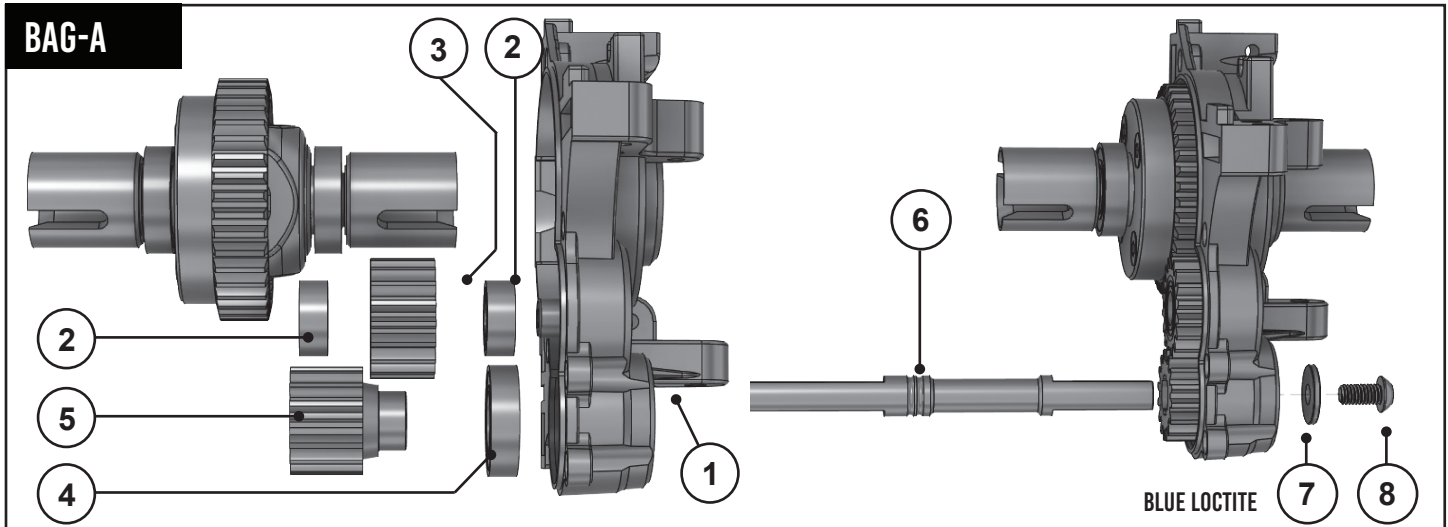
ASSEMBLY	ITEM NUMBER	NAME	QUANTITY
8	KV5546	Diff Cross Pin	2
9	KV4426	Diff Bevel Planet Gear	4
10	KV4429	Diff Washer 6x18x03mm	4



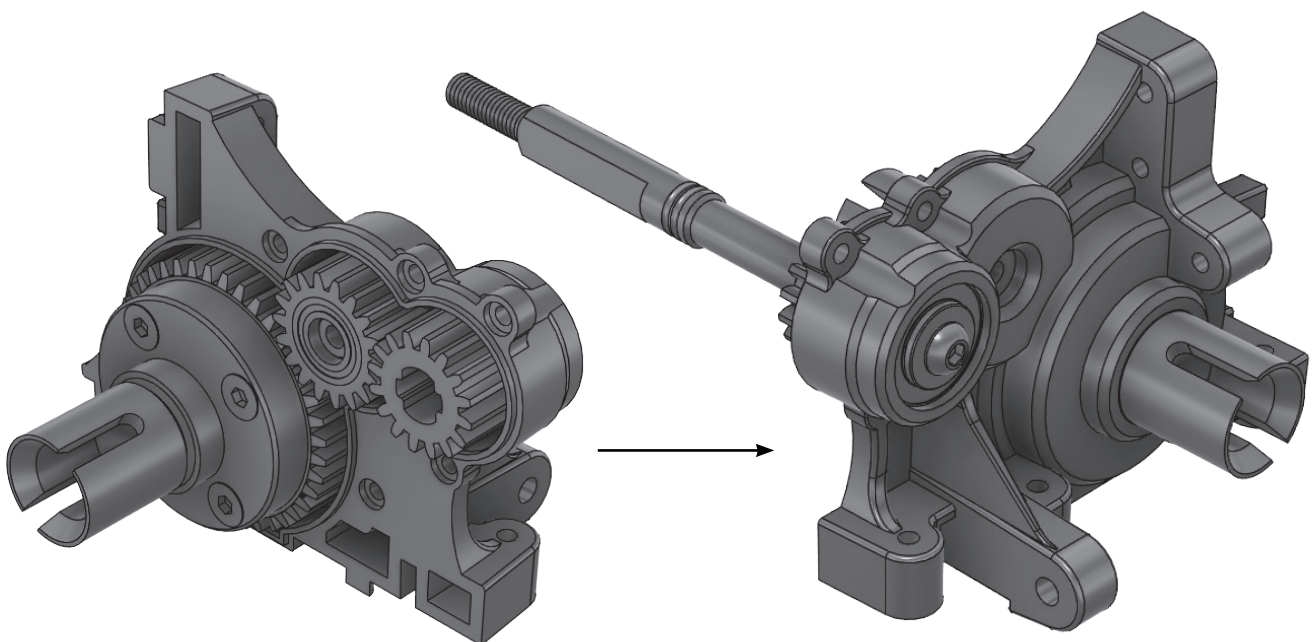
ASSEMBLY	ITEM NUMBER	NAME	QUANTITY
1	KVS472	Diff Ring Gear	1
2	KV3317	Bearing 15x28x7mm	1
3	KV5547	Diff Out Drive	1
4	KV3304	O-Ring 9.8x2.4mm	1
5	KV4428	Diff Washer 10x30x03mm	1
6	KV4425	Diff Bevel Sun Gear	1
7	KV3365	FH5x12mm	1

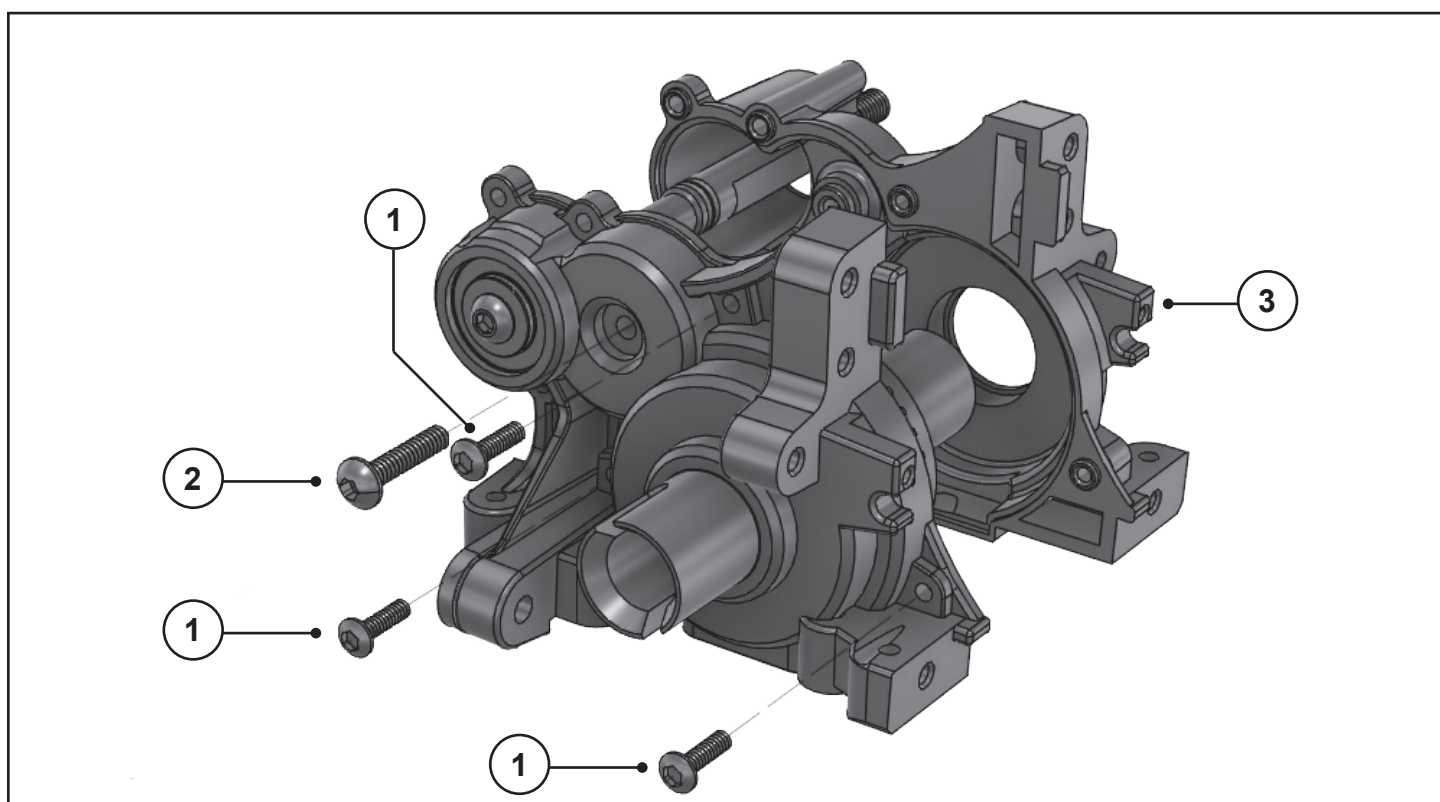


ASSEMBLY	ITEM NUMBER	NAME	QUANTITY
8	KV3366	Diff Gasket	1
9	KV4427	FH5x16mm	4

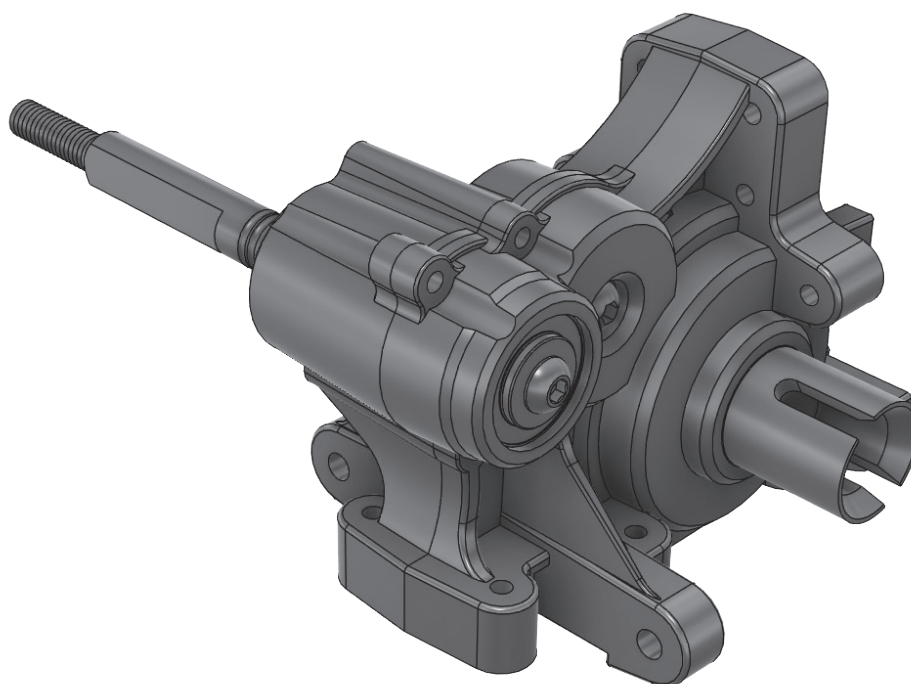


ASSEMBLY	ITEM NUMBER	NAME	QUANTITY
1	KVS496	Transmission Case Left	1
2	KV3314	Bearing 10x19x7mm	2
3	KVS474	Idler Gear 18T	1
4	KV3317	Bearing 15x28x7	1
5	KVS473	Drive Pinion Gear 15T	1
6	KVS465 KVS464	Layshaft Gas Layshaft Electric	1
7	KVS446	Washer 6x18x2mm	1
8	KV3350	BH6x12mm	1

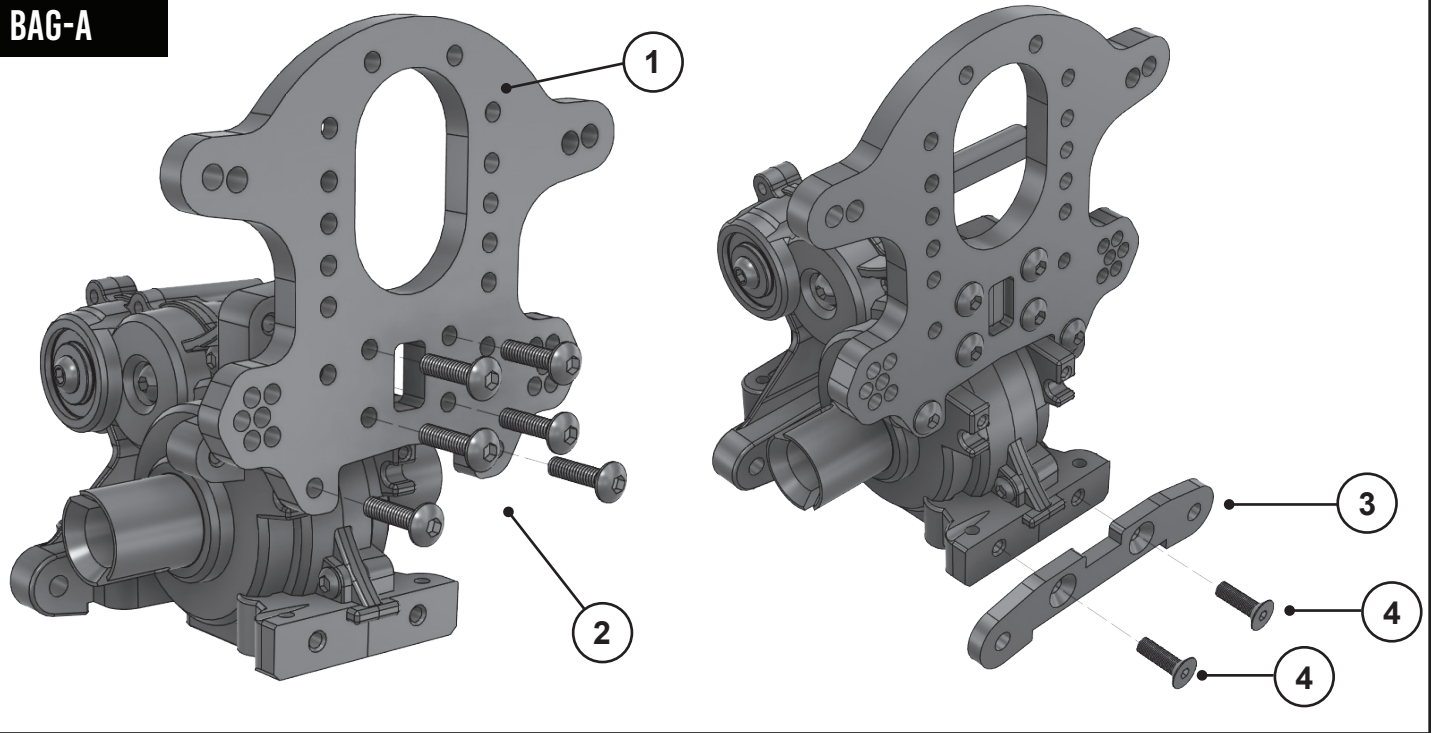




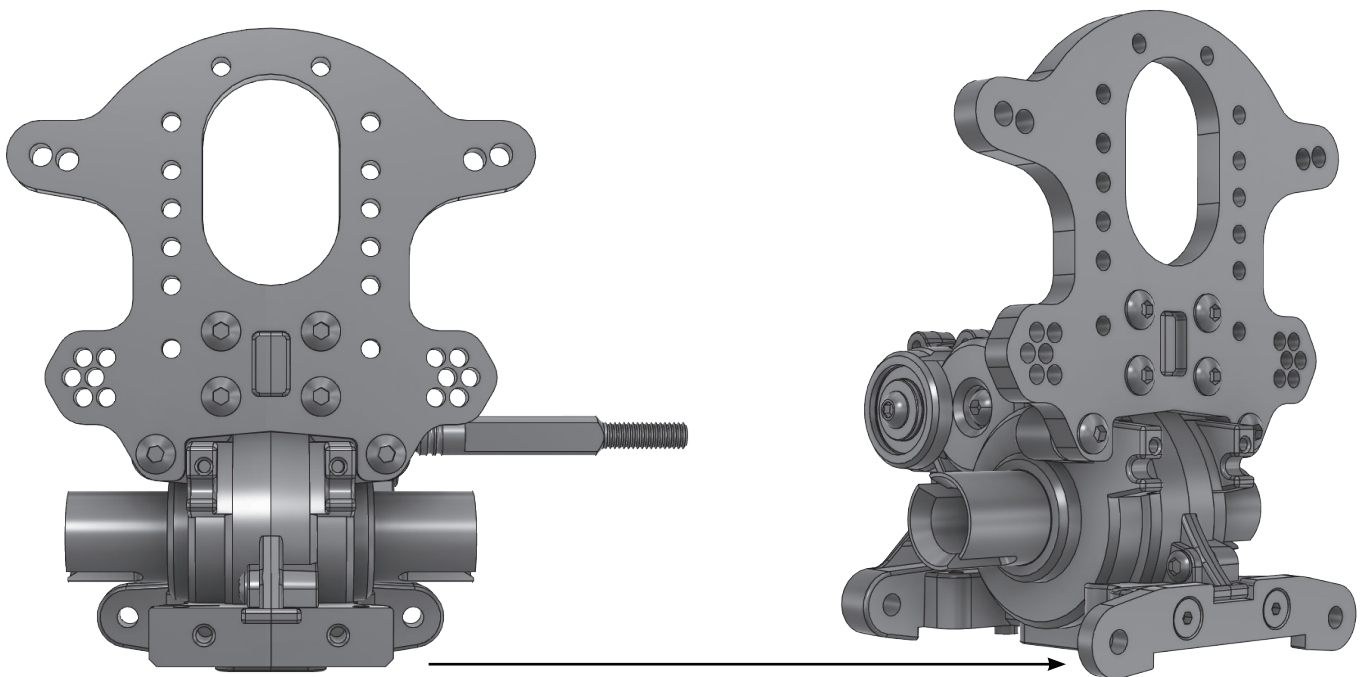
ASSEMBLY	ITEM NUMBER	NAME	QUANTITY
1	KVS449	BH4x15mm	3
2	KV3346	BH5x25mm	1
3	KVS497	Transmission Case Right	1

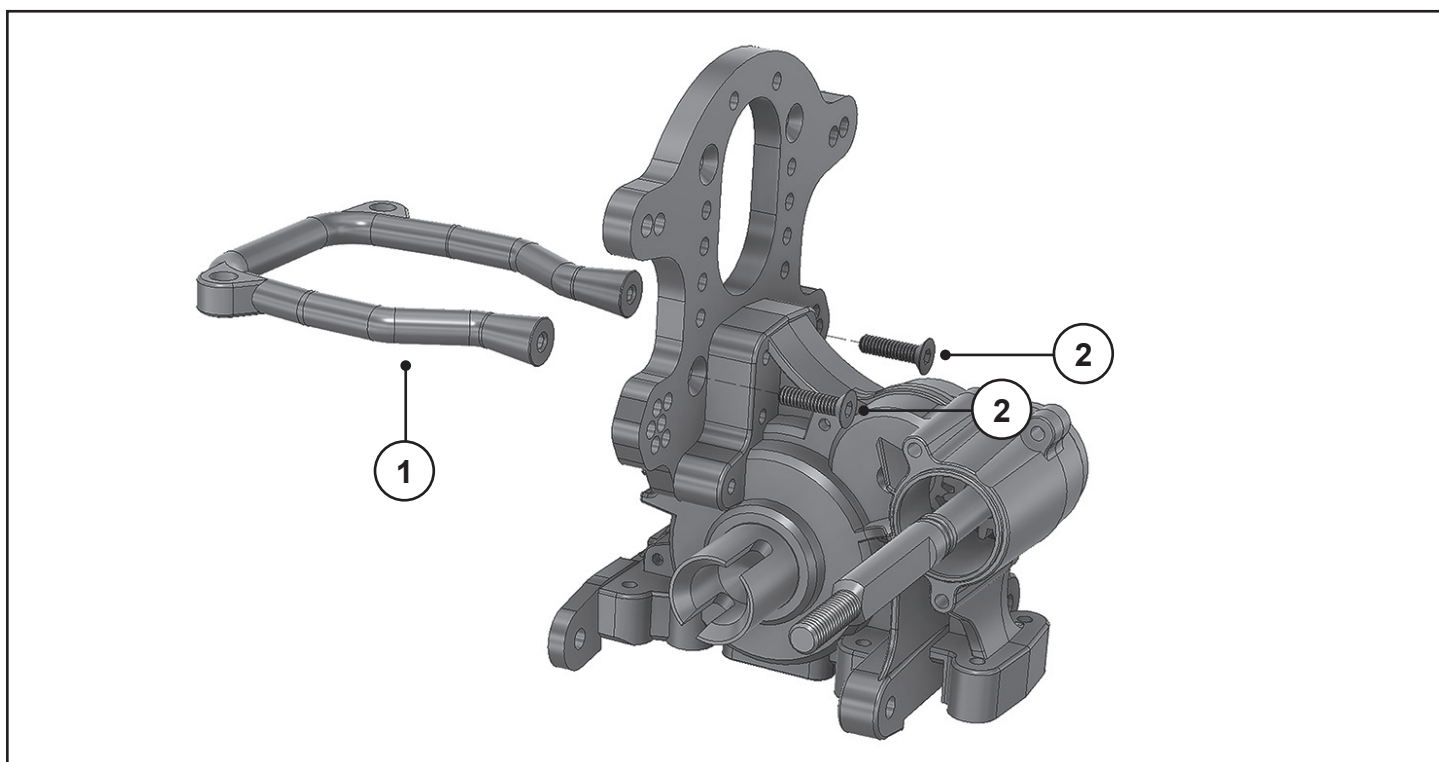


BAG-A

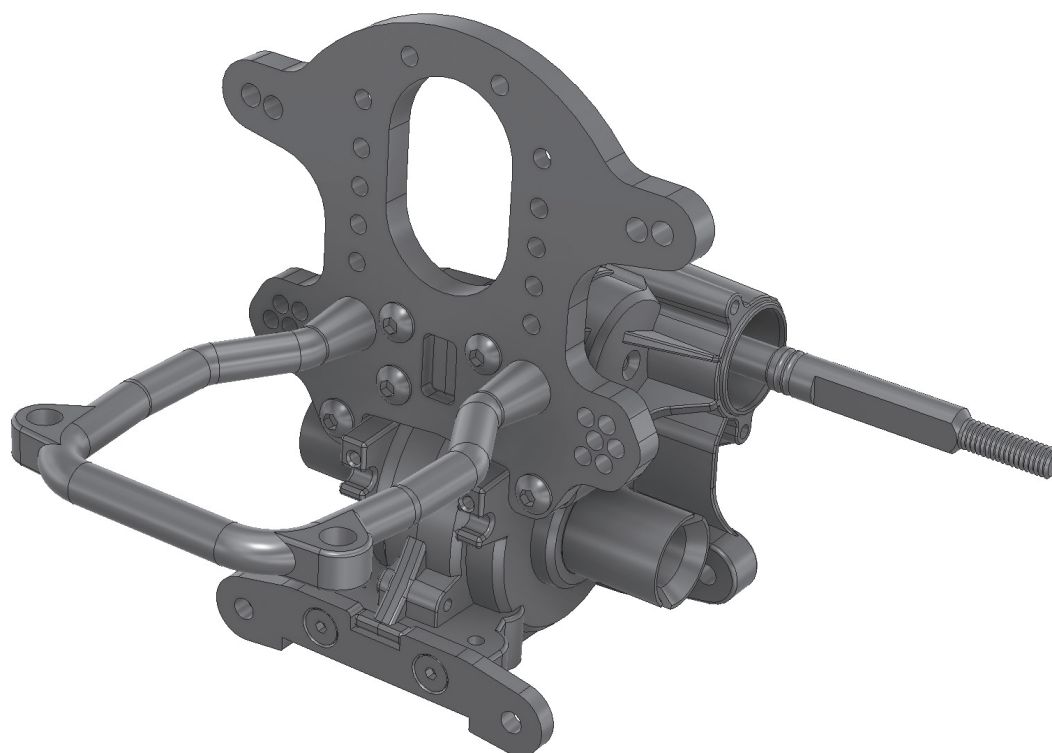


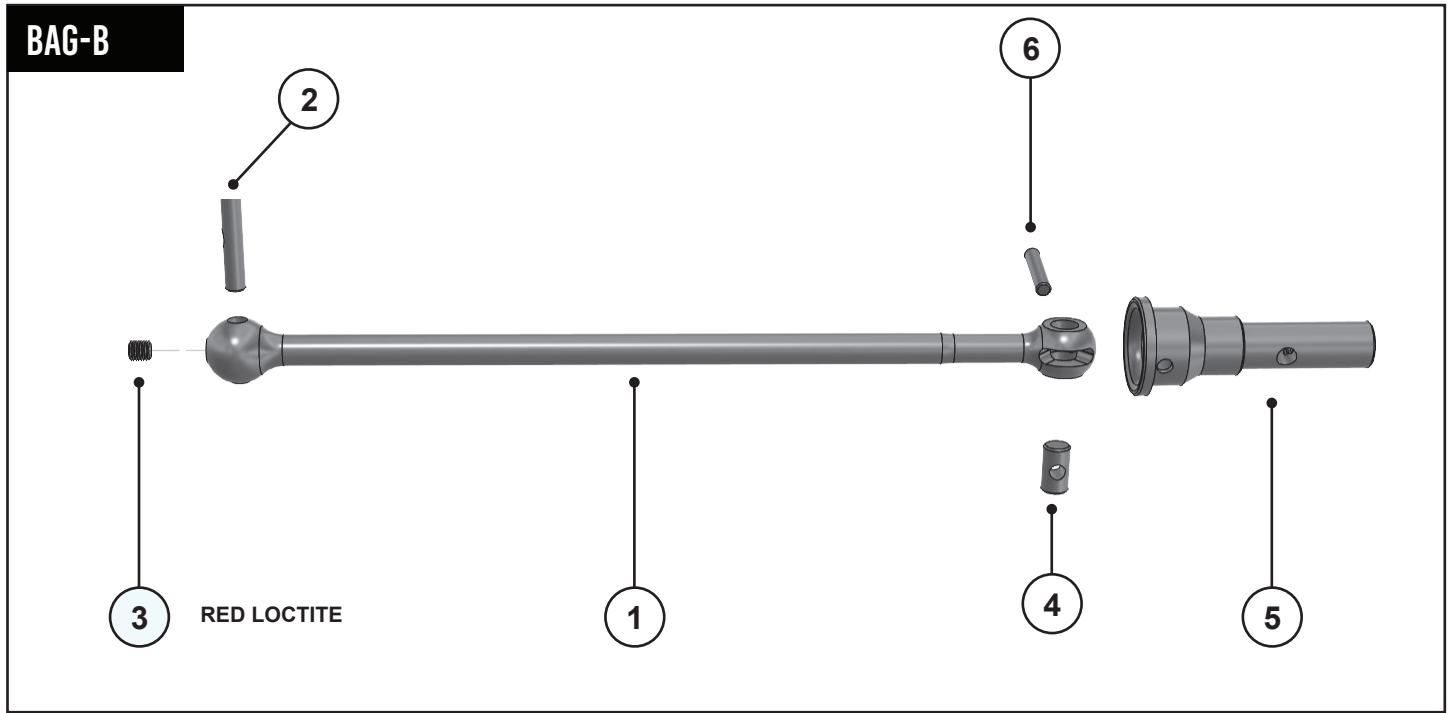
ASSEMBLY	ITEM NUMBER	NAME	QUANTITY
1	KVS440	Rear Shock Tower	1
2	KV3345	BH5x20mm	6
3	KVS118	Rear Lower Arm Brace	1
4	KV3366	FH5X16mm	2





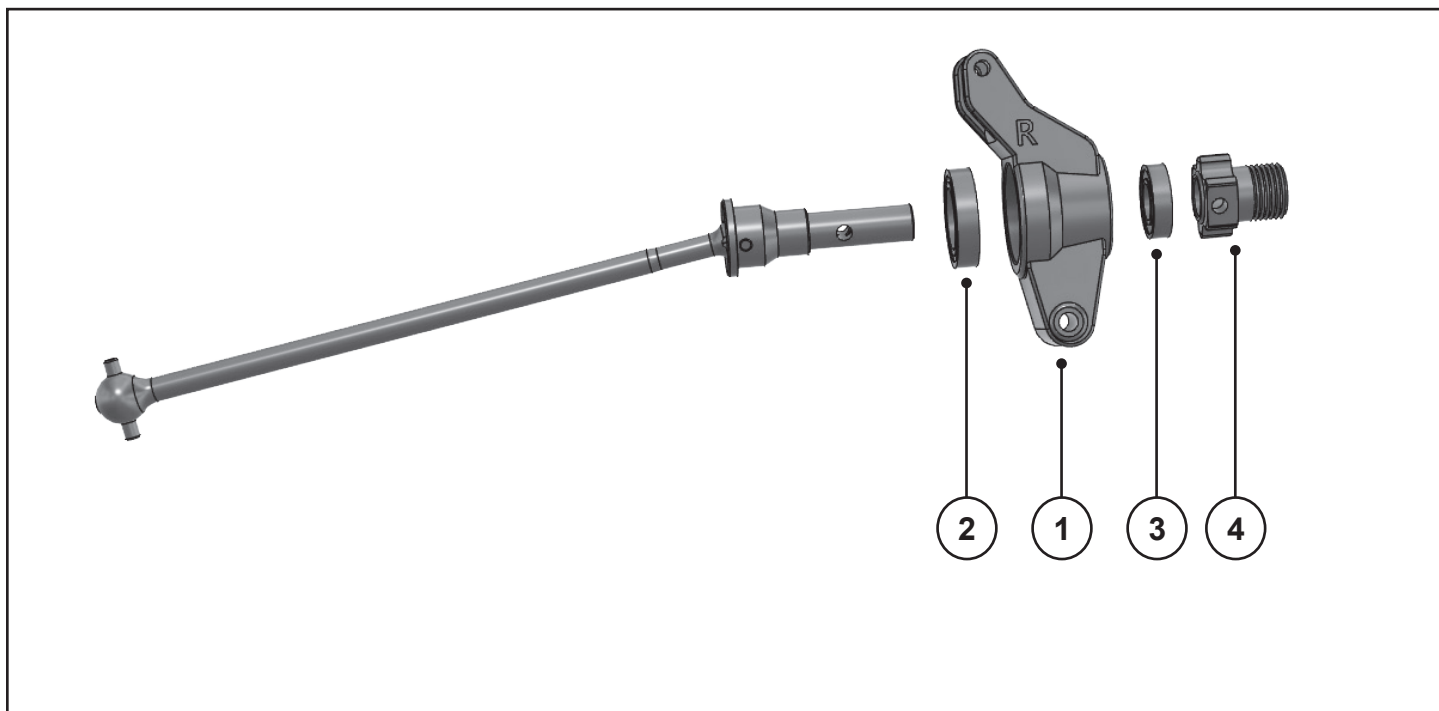
ASSEMBLY	ITEM NUMBER	NAME	QUANTITY
1	KVS486	Rear Bumper Bracket	1
2	KV3367	FH5x20mm	2





ASSEMBLY	ITEM NUMBER	NAME	QUANTITY
1	KVS443	Drive Shaft	1
2	KV5518	Pin 5x26.6mm	1
3	KV3392	Set Screw 5x5mm	1
4	KV5520	Hub Pin 7x12.5x4mm	1
5	KV5522	Wheel Axle	1
6	KV5503	Pin 4x19.8mm	1

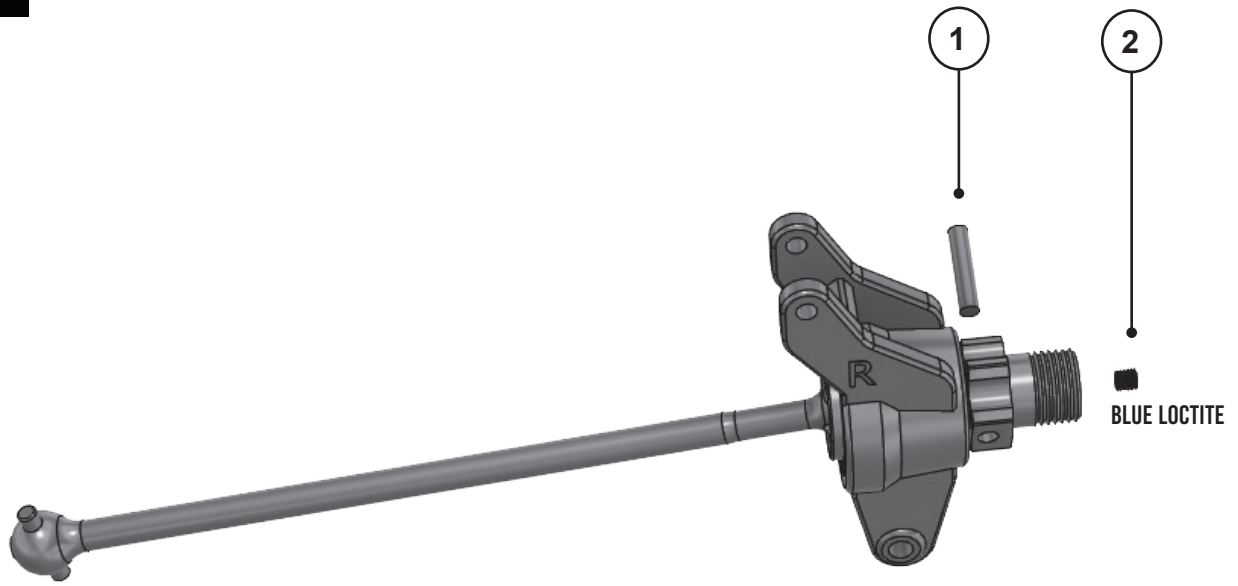




ASSEMBLY	ITEM NUMBER	NAME	QUANTITY
1	KVS493/KVS494	Rear Wheel Hub L/R	1
2	KV3318	Bearing 20x32x7mm	1
3	KV3315	Bearing 12x24x6mm	1
4	KV4438	Wheel HexDriver	1

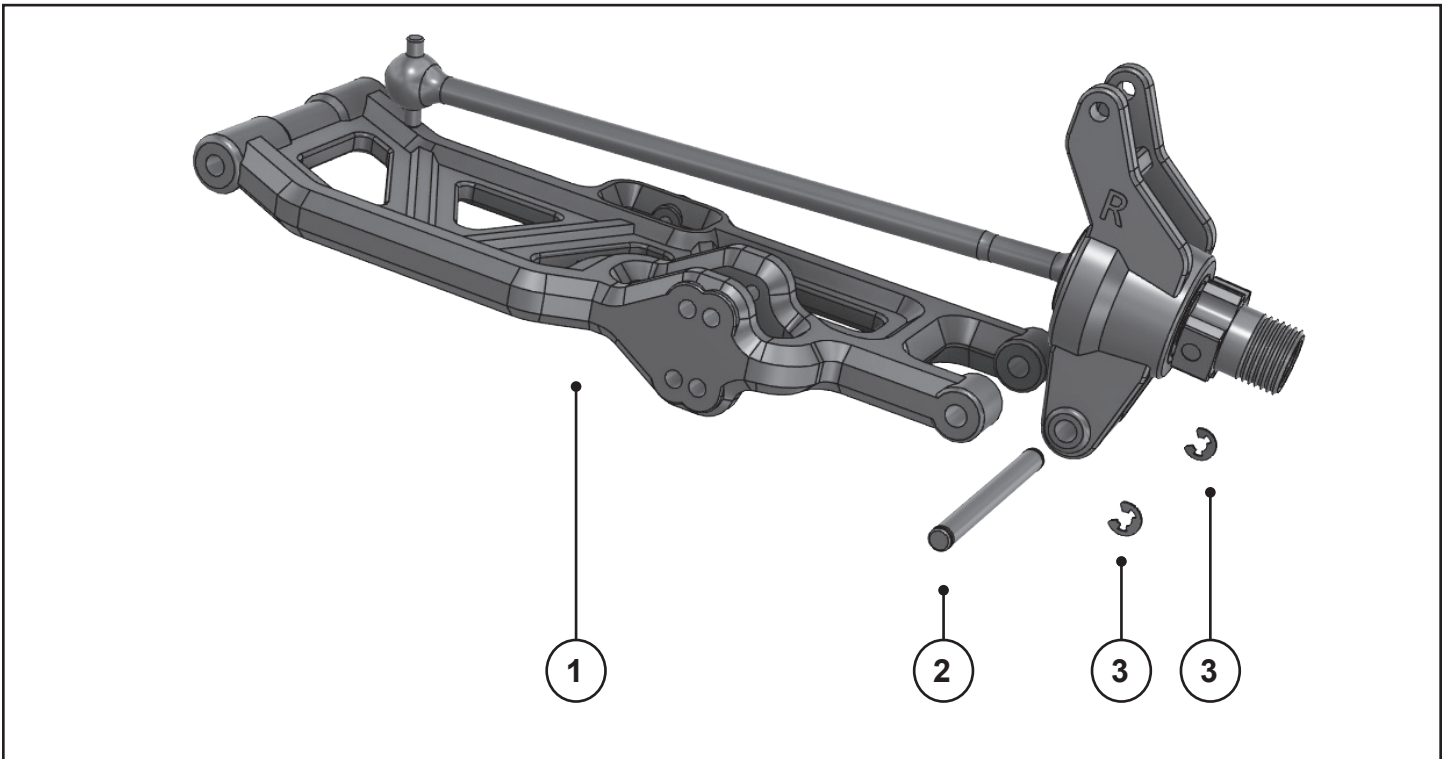


BAG-B

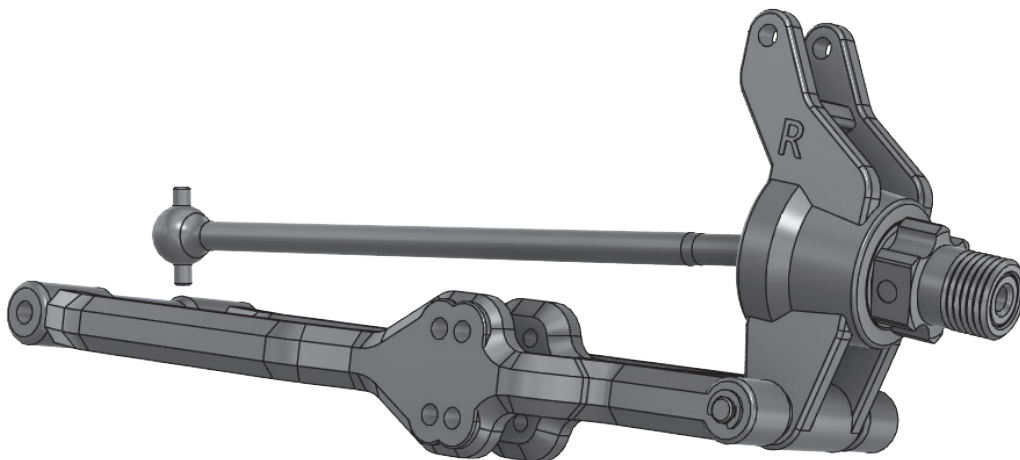


ASSEMBLY	ITEM NUMBER	NAME	QUANTITY
1	KV5504	Pin 5x23.4mm	1
2	KV3392	Set Screw 5x5mm	1

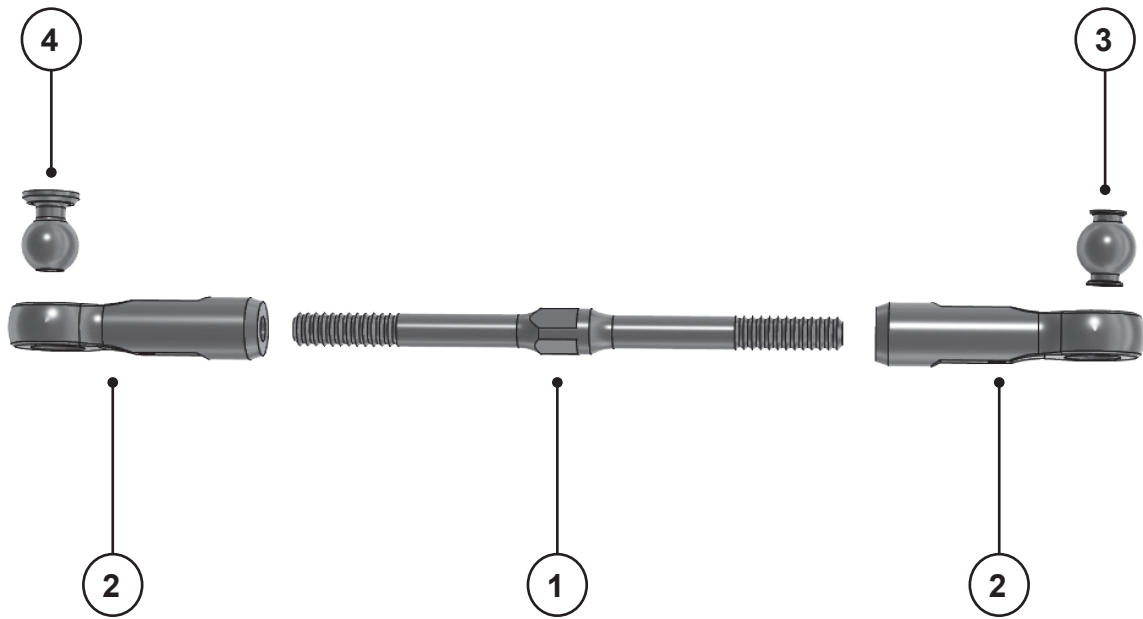




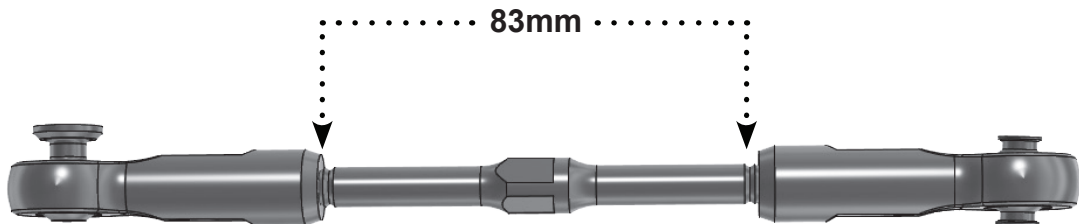
ASSEMBLY	ITEM NUMBER	NAME	QUANTITY
1	KVS484	Rear Lower Arm	1
2	KVS535	Arm Hinge Pin	1
3	KVS447	Clip Ring E4	2

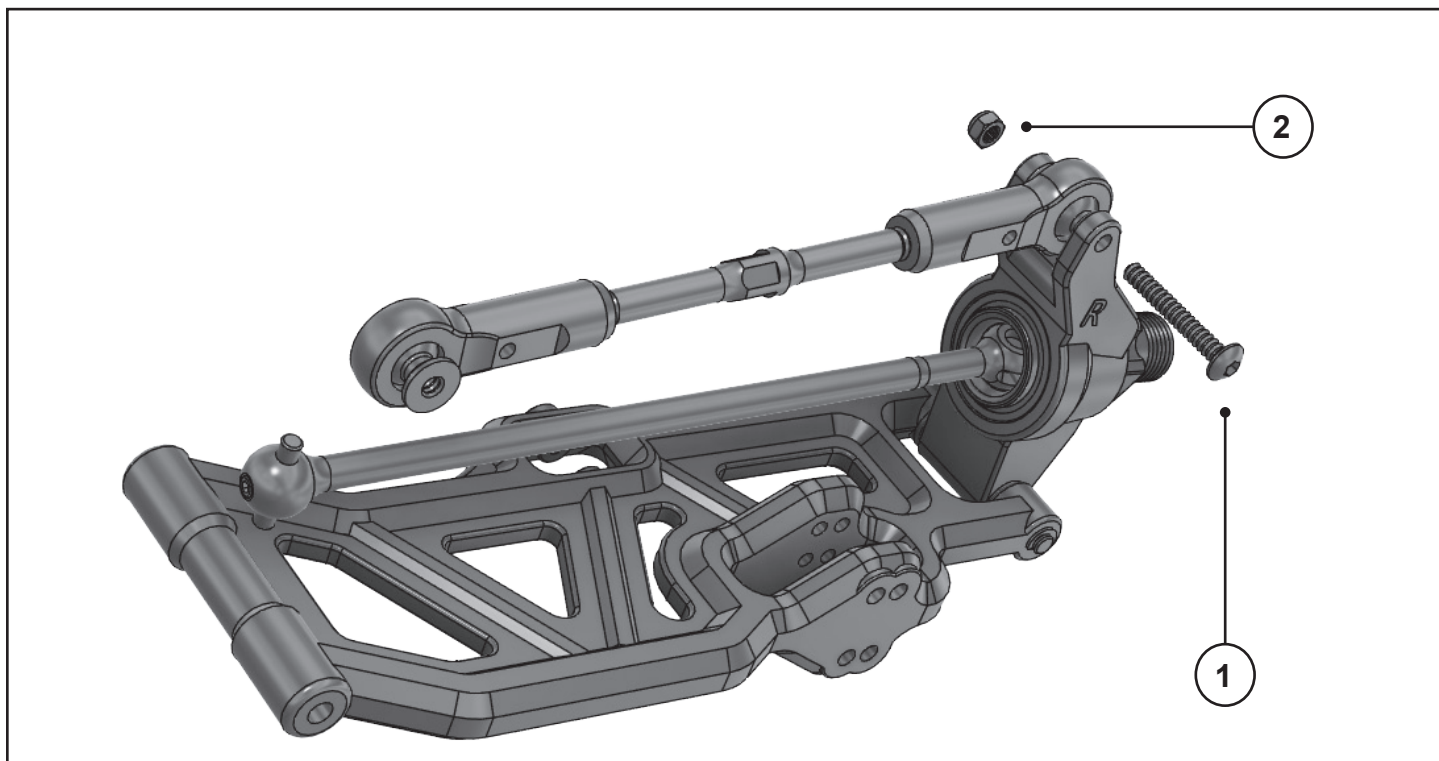


BAG-B

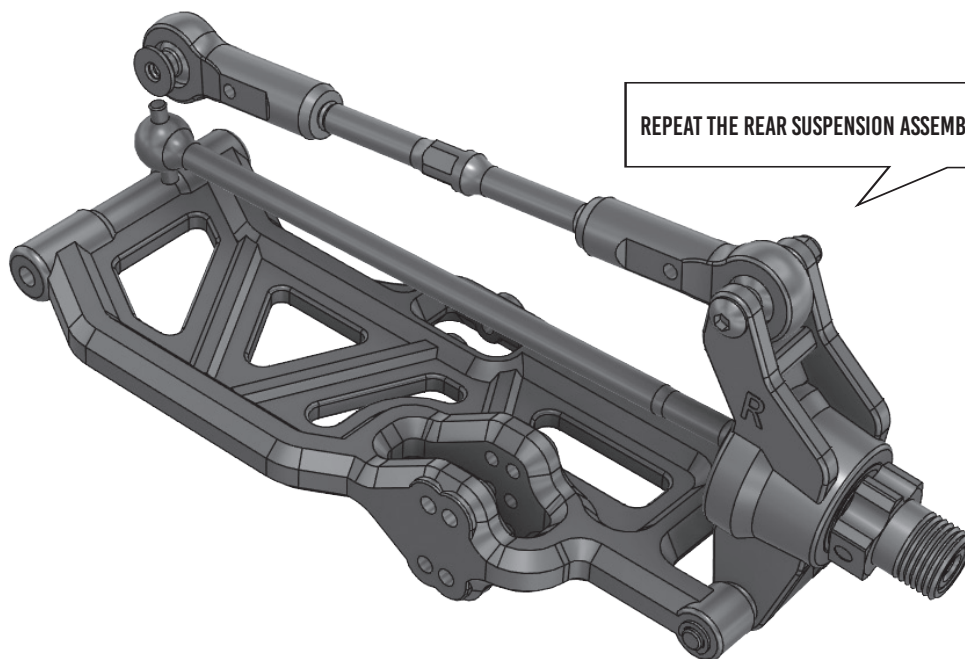


ASSEMBLY	ITEM NUMBER	NAME	QUANTITY
1	KVS539	Turn Buckle M8x130mm	1
2	KV8817	Rod End B13.8x50x6mm	2
3	KV5589	B13.8x17x5mm	1
4	KVS536	B13.8M5mm	1

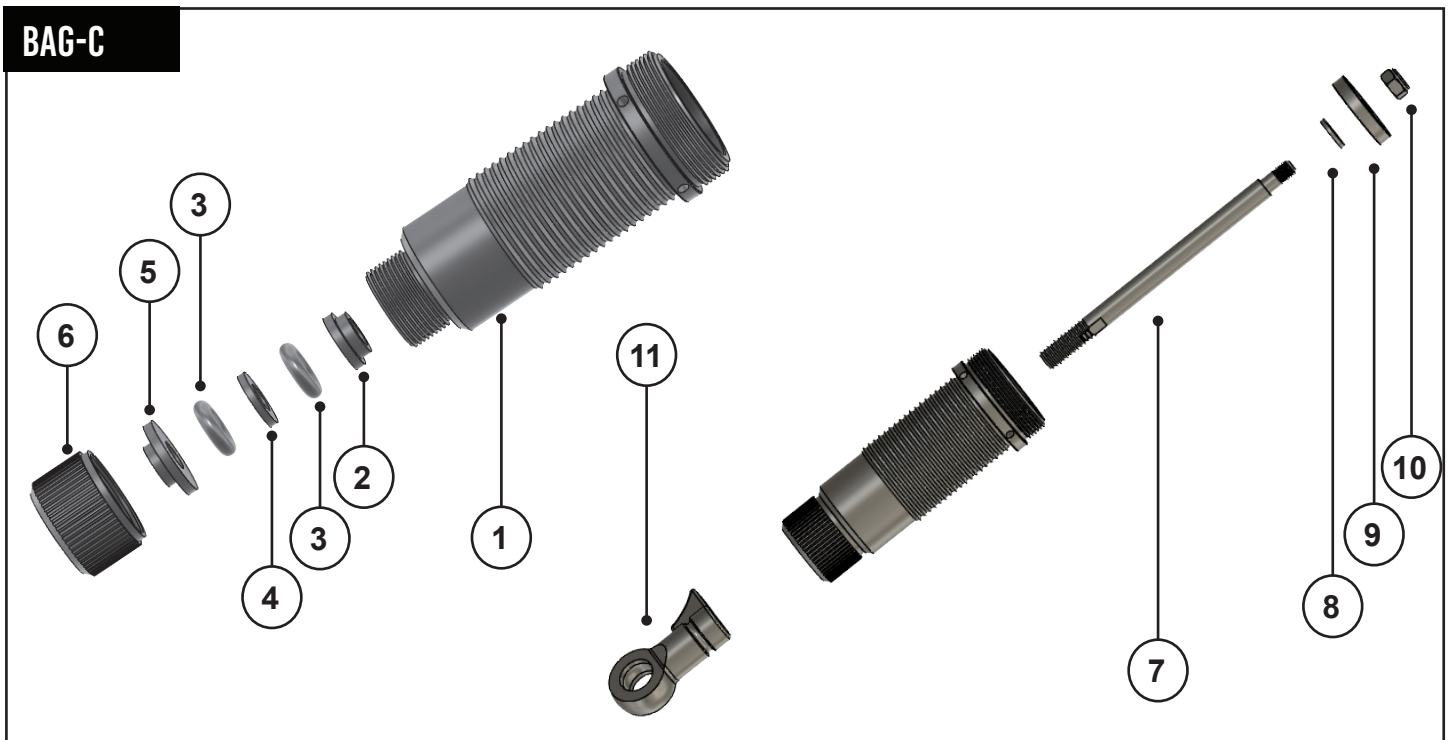




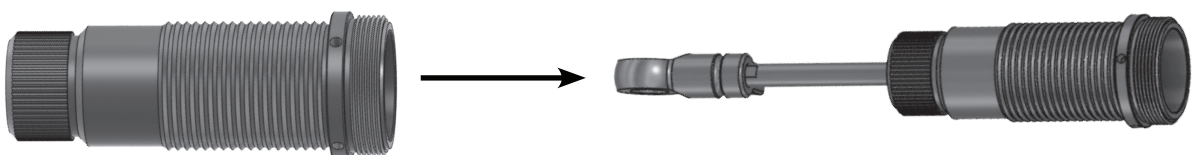
ASSEMBLY	ITEM NUMBER	NAME	QUANTITY
1	KV3347	BH5x35mm	1
2	KV3333	Lock Nut M5	1

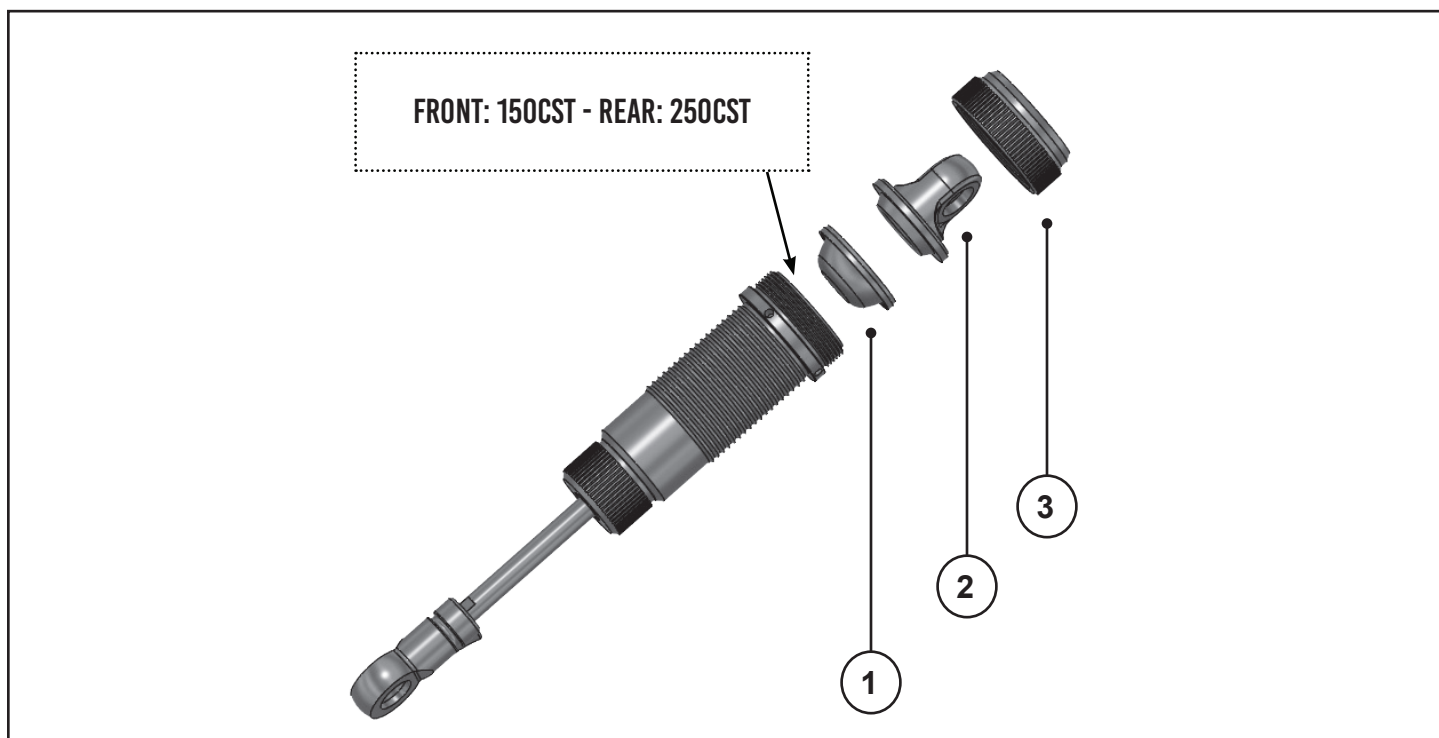


BAG-C



ASSEMBLY	ITEM NUMBER	NAME	QUANTITY
1	KVS444	Shock Body	1
2	KV8853	Shock Shaft Guide	1
3	KV3303	O-Ring 8x4mm	2
4	KV8852	Shock Back Up Ring	1
5	KV8856	Shock Shaft Guide	1
6	KV5559	Shock Seal Cap	1
7	KVS445	Shock Shaft	1
8	KV3381	Washer 6x12x1.6mm	1
9	KVT16	Shock Piston	1
10	KV3334	Lock Nut M6	1
11	KV8854	Shock Shaft End	1

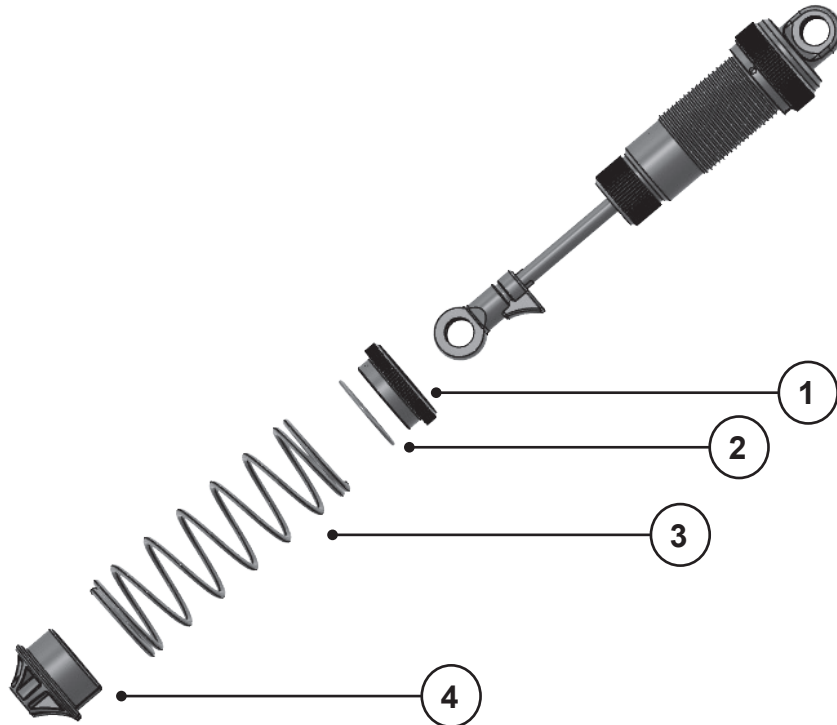




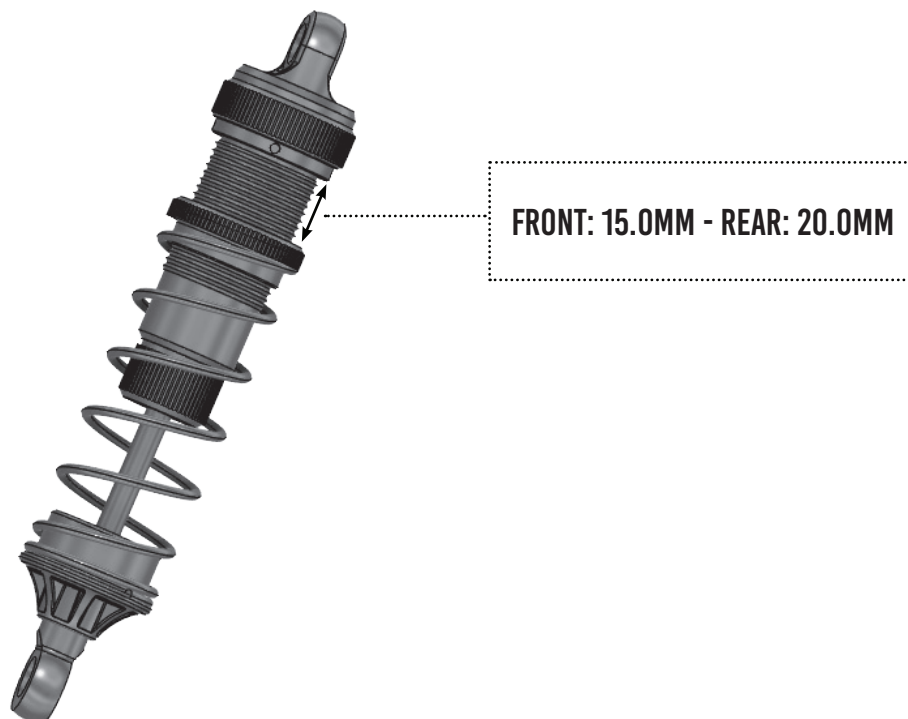
ASSEMBLY	ITEM NUMBER	NAME	QUANTITY
1	KV4433	Shock Diaphragm	1
2	KV8855	Shock Top End	1
3	KV5548	Shock Top Cap	1

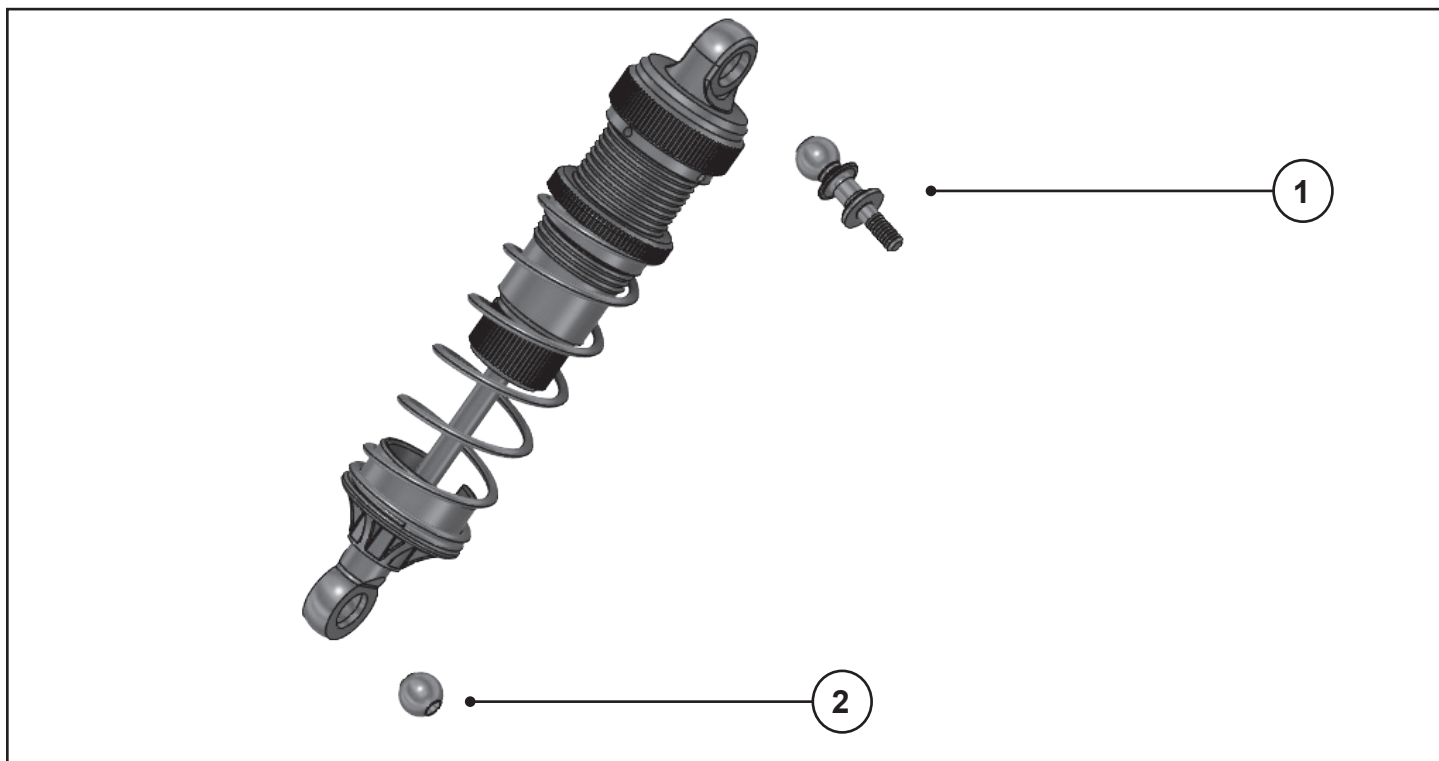


BAG-C



ASSEMBLY	ITEM NUMBER	NAME	QUANTITY
1	KV5560	Shock Spring Adjusting Ring	1
2	KV3302	O-Ring 33.5x2,S34	1
3	KV5561	Front Shock Spring	1
4	KV8850	Shock Spring Perch	1



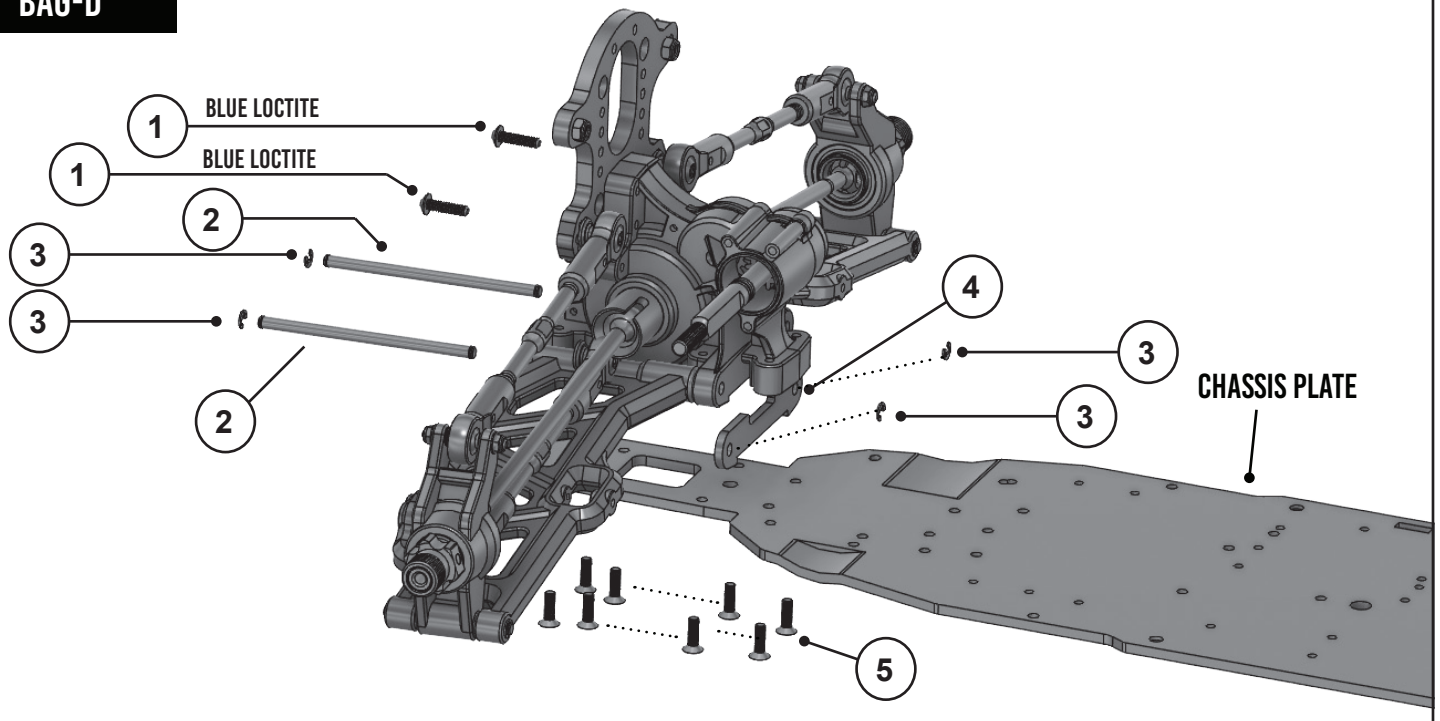


ASSEMBLY	ITEM NUMBER	NAME	QUANTITY
1	KV5509	Shock Stand	1
2	KV5508	Ball 13.8x5mm	1

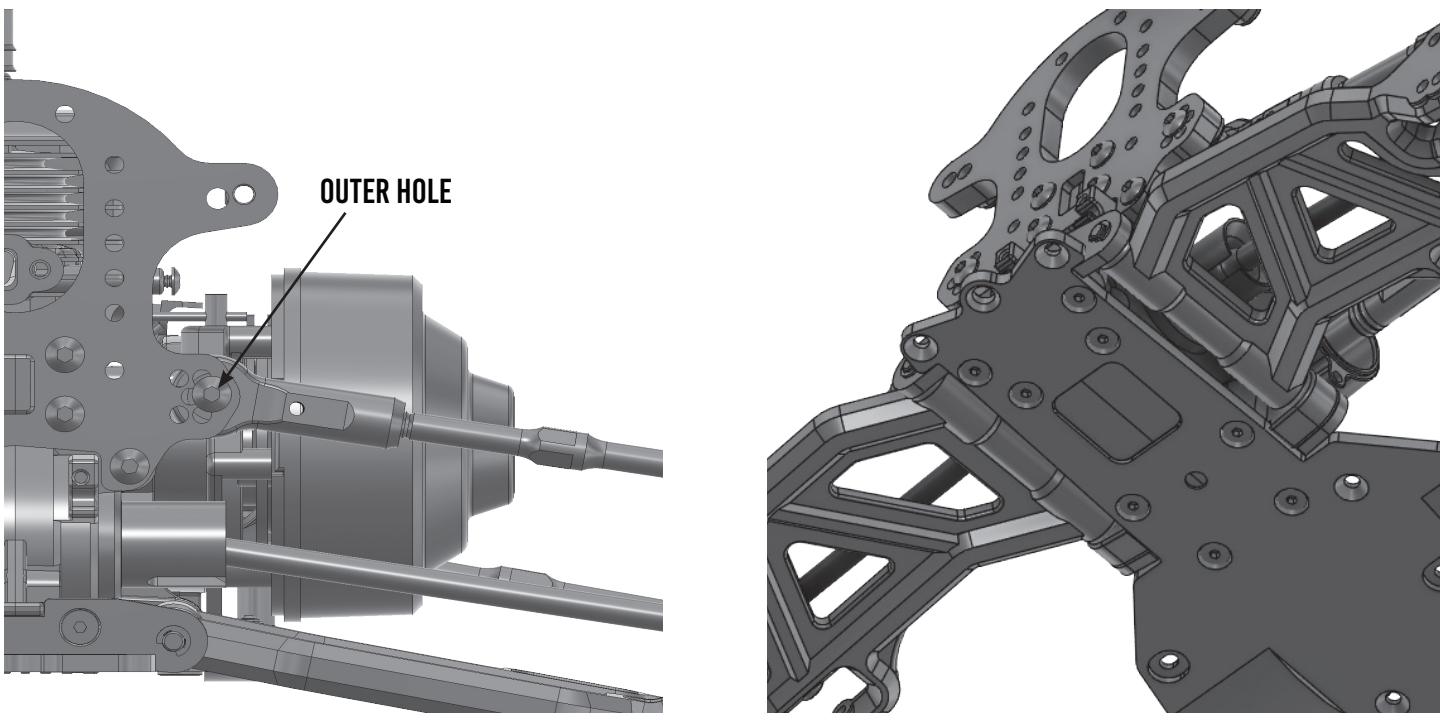


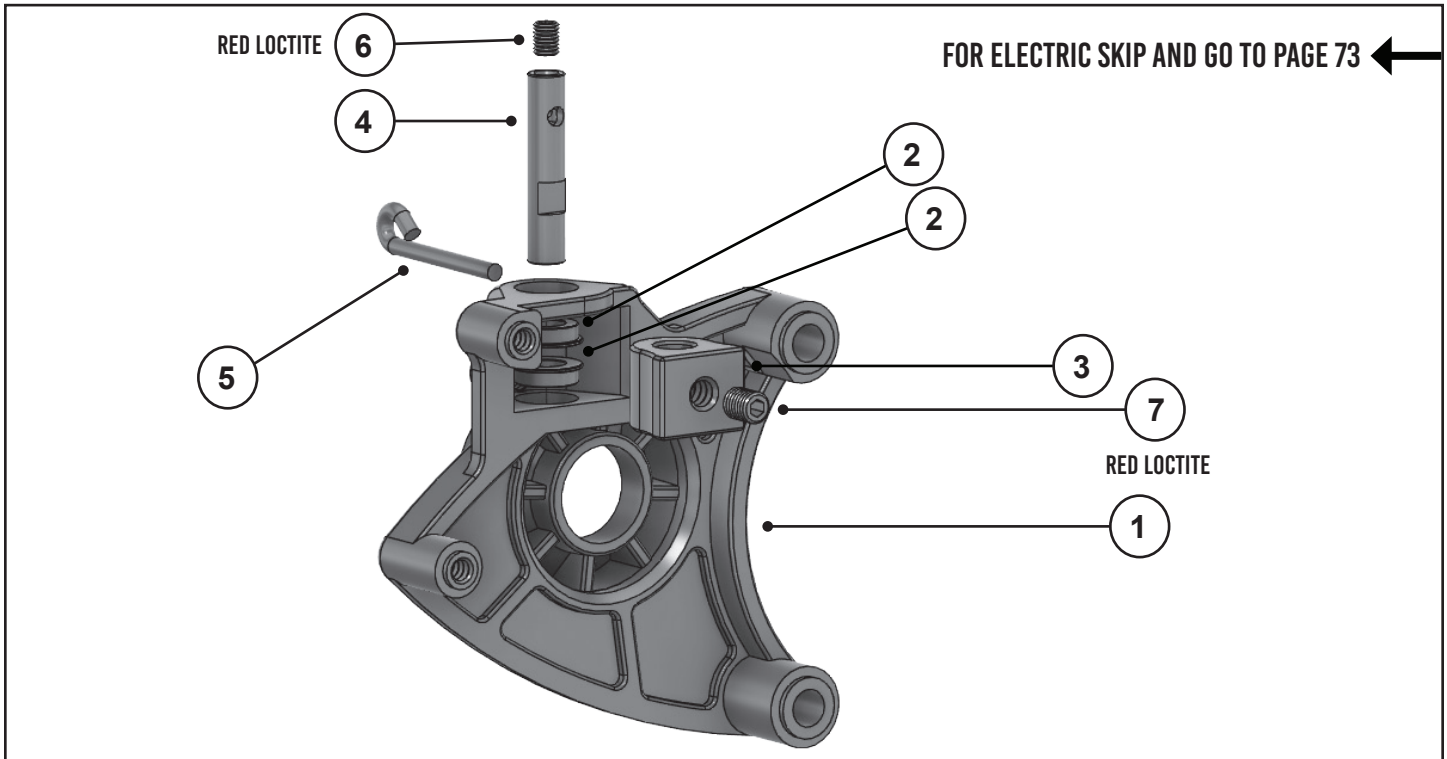
REPEAT SHOCK ASSEMBLY X4
(2 FRONTS, 2 REARS)

BAG-D

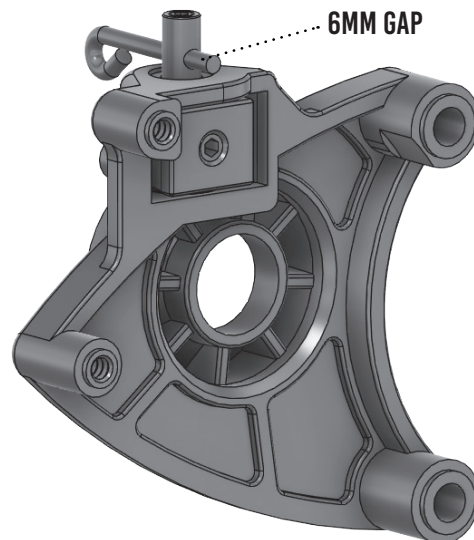


ASSEMBLY	ITEM NUMBER	NAME	QUANTITY
1	KV3345	BH5x20mm	2
2	KVS538	Rear Hinge Pins	2
3	KVS447	E-Clips	4
4	KVS118	Rear Lower Arm Brace	1
5	KV3366	FH5x16mm	8



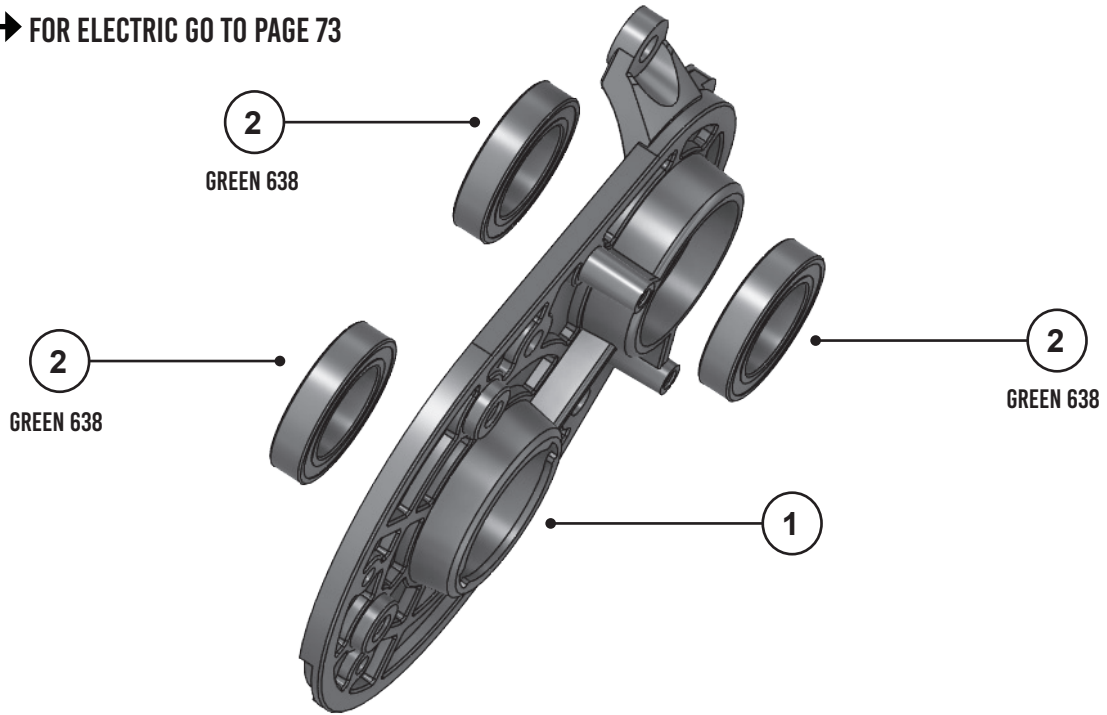


ASSEMBLY	ITEM NUMBER	NAME	QUANTITY
1	KVS499	Brake Mount	1
2	KVS502	Flanged Bearing 6x10x3mm	2
3	KVS466	Brake Cam Block	1
4	KVS467	Brake Cam Shaft	1
5	KV5590	Brake Lever	1
6	KV3374	Set Screw 4x5mm	1
7	KV3375	Set Screw 5x6mm	1

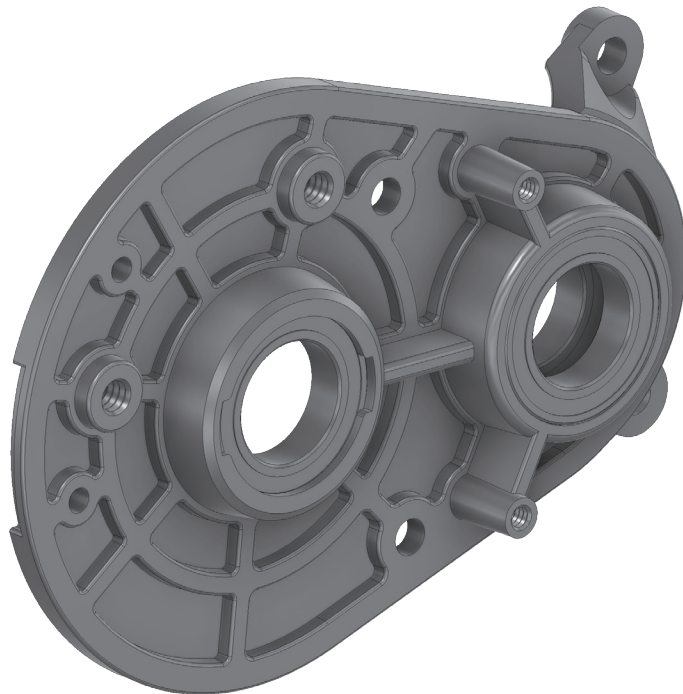


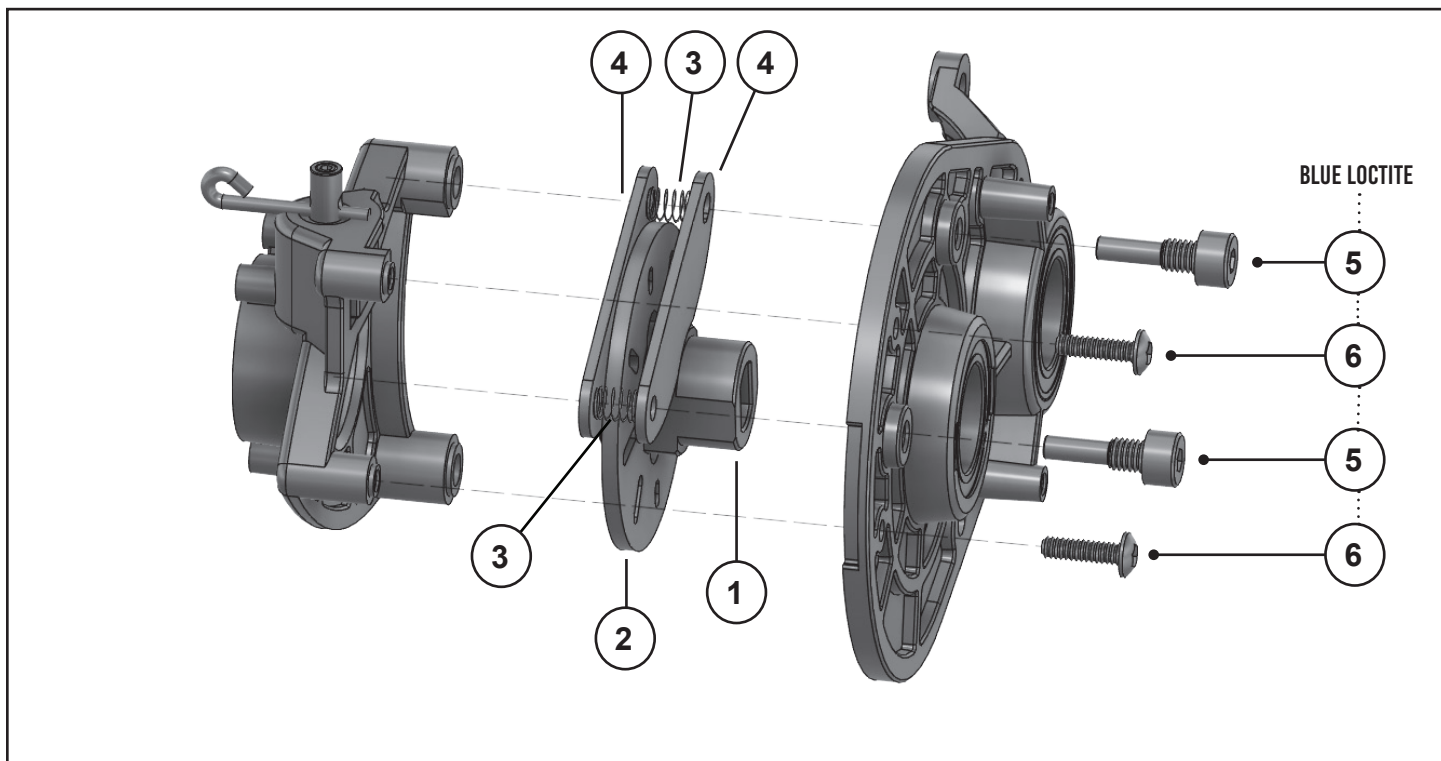
BAG-D

→ FOR ELECTRIC GO TO PAGE 73

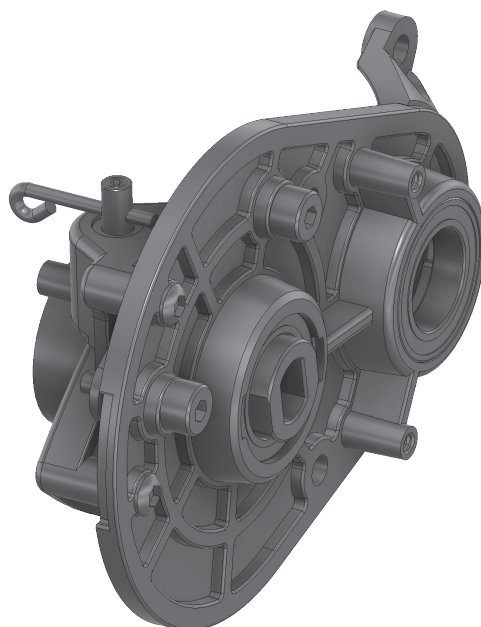


ASSEMBLY	ITEM NUMBER	NAME	QUANTITY
1	KVS498	Tranny Plate (Gas)	1
2	KV3318	Bearing 20x32x7mm	3

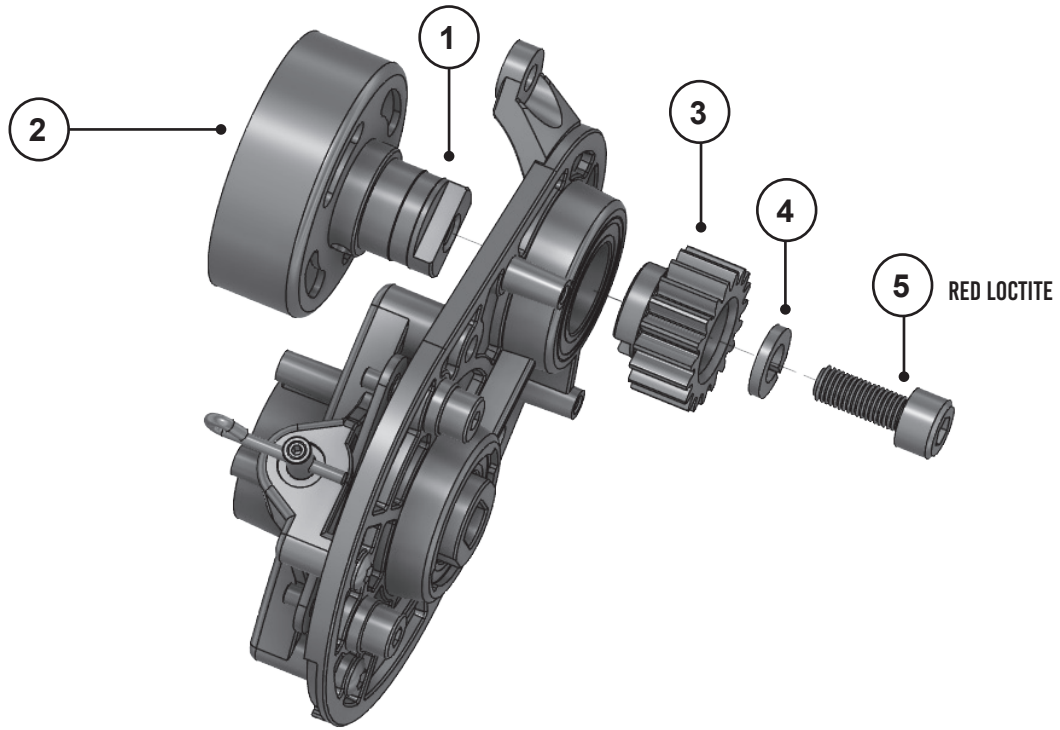




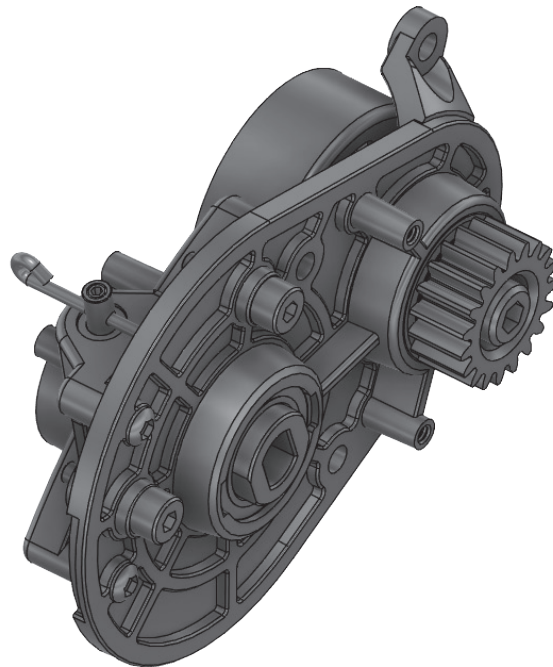
ASSEMBLY	ITEM NUMBER	NAME	QUANTITY
1	KVS468	Brake Hub	1
2	KV4412	Brake Disc	1
3	KVS405	Brake Pad Spring	2
4	KV4411	Brake Pads	2
5	KVS469	Brake Screw Pin	2
6	KV3339	BH4x12mm	2

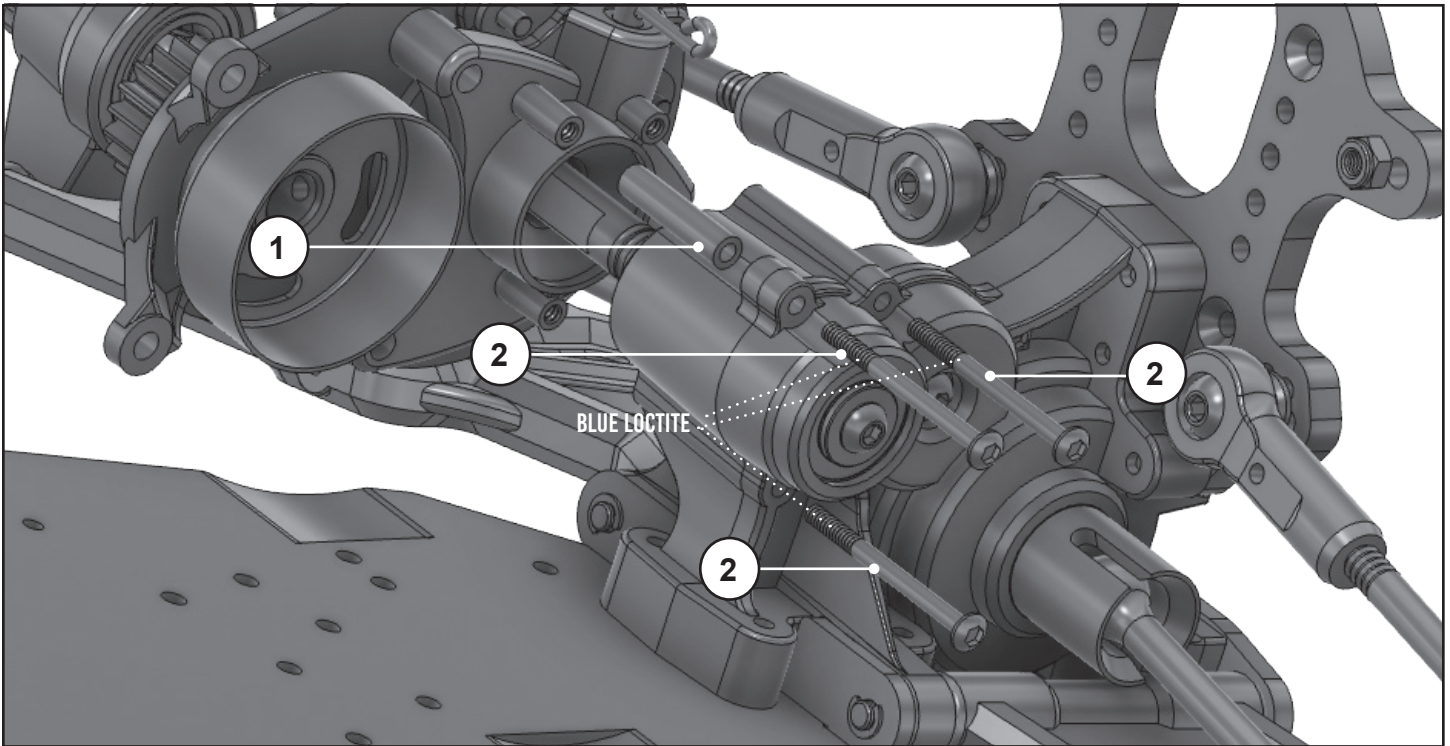


BAG-D

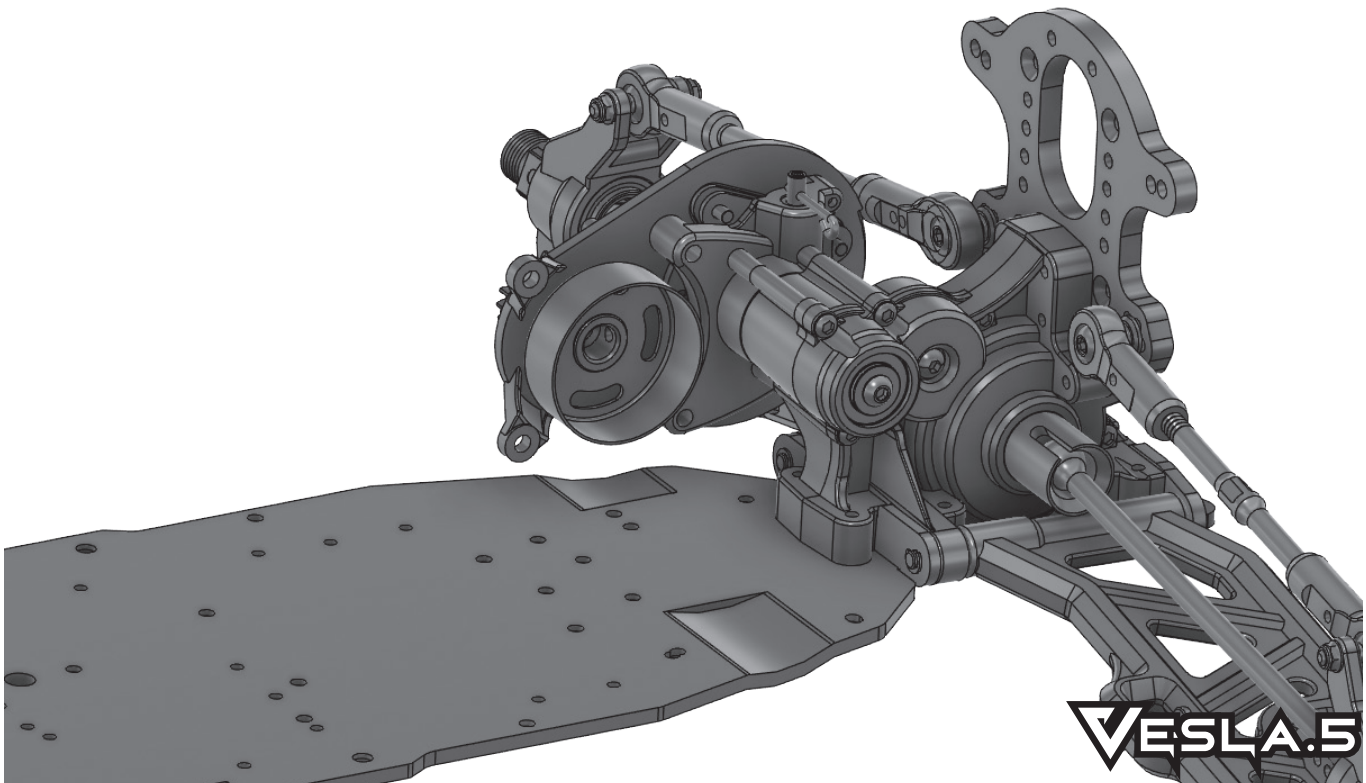


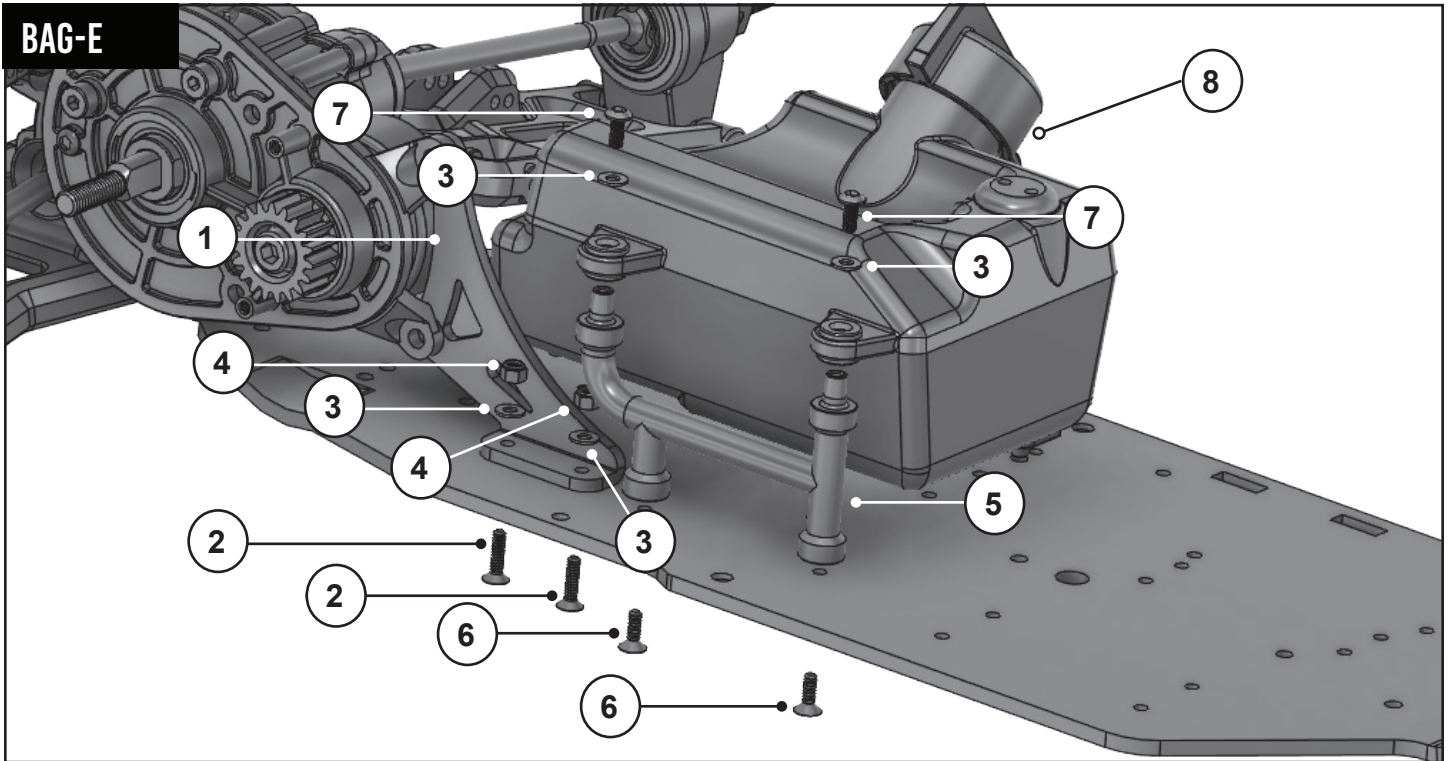
ASSEMBLY	ITEM NUMBER	NAME	QUANTITY
1	KVS479	Clutch Bell	1
2	KVS471	Pinion Gear T19	1
3	KV3383	Lock Washer 8x15.5x2.4mm	1
5	KVS459	CH8x20mm	1



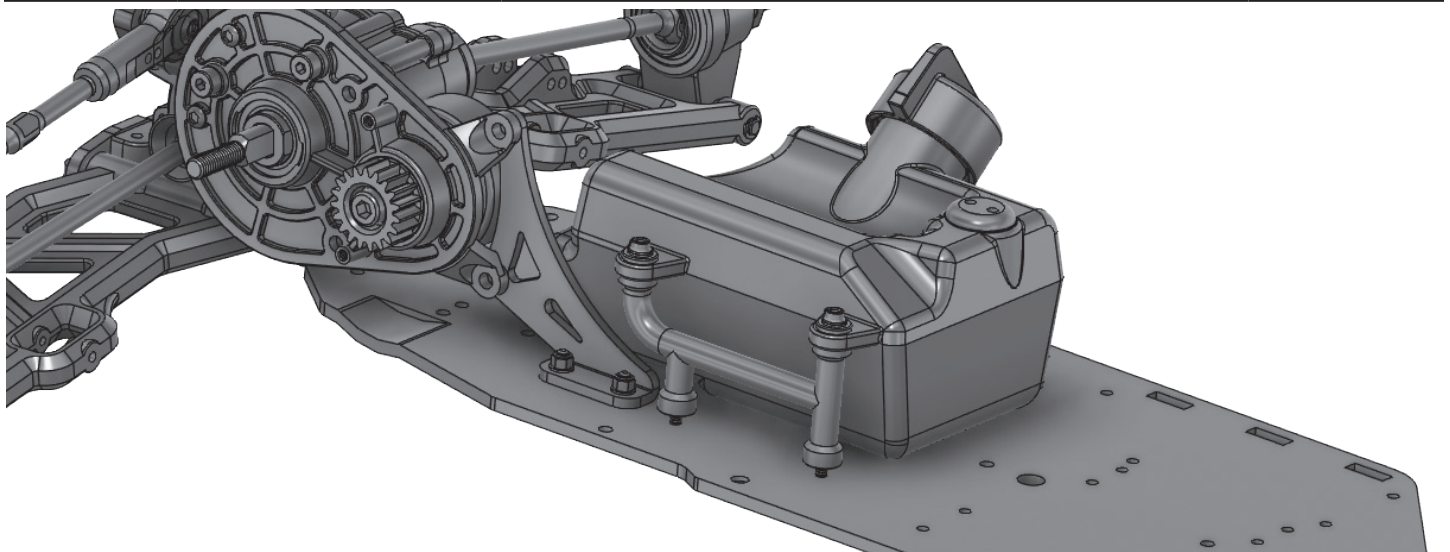


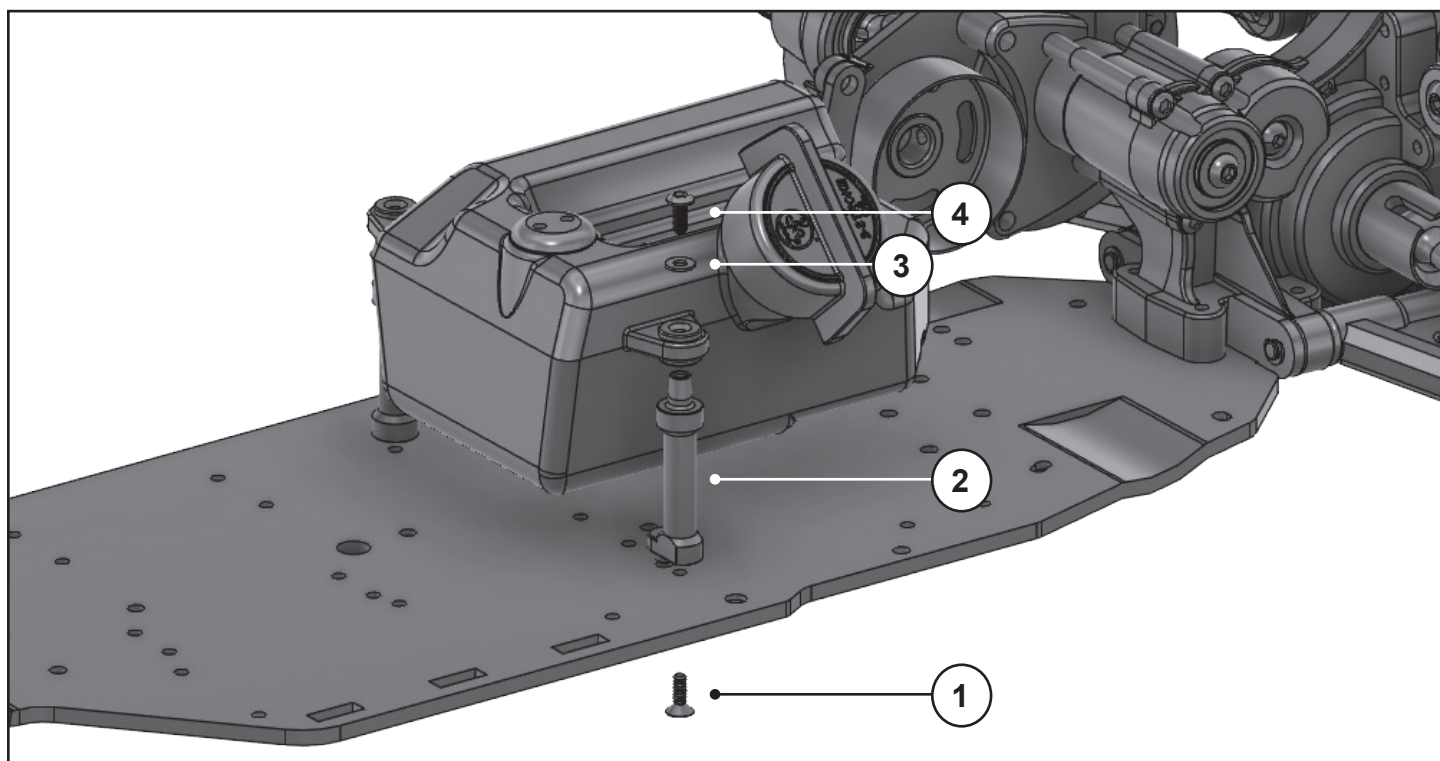
ASSEMBLY	ITEM NUMBER	NAME	QUANTITY
1	KVS476	Spacer 4x7x30.5mm	1
2	KVS451	BH4x50mm	3



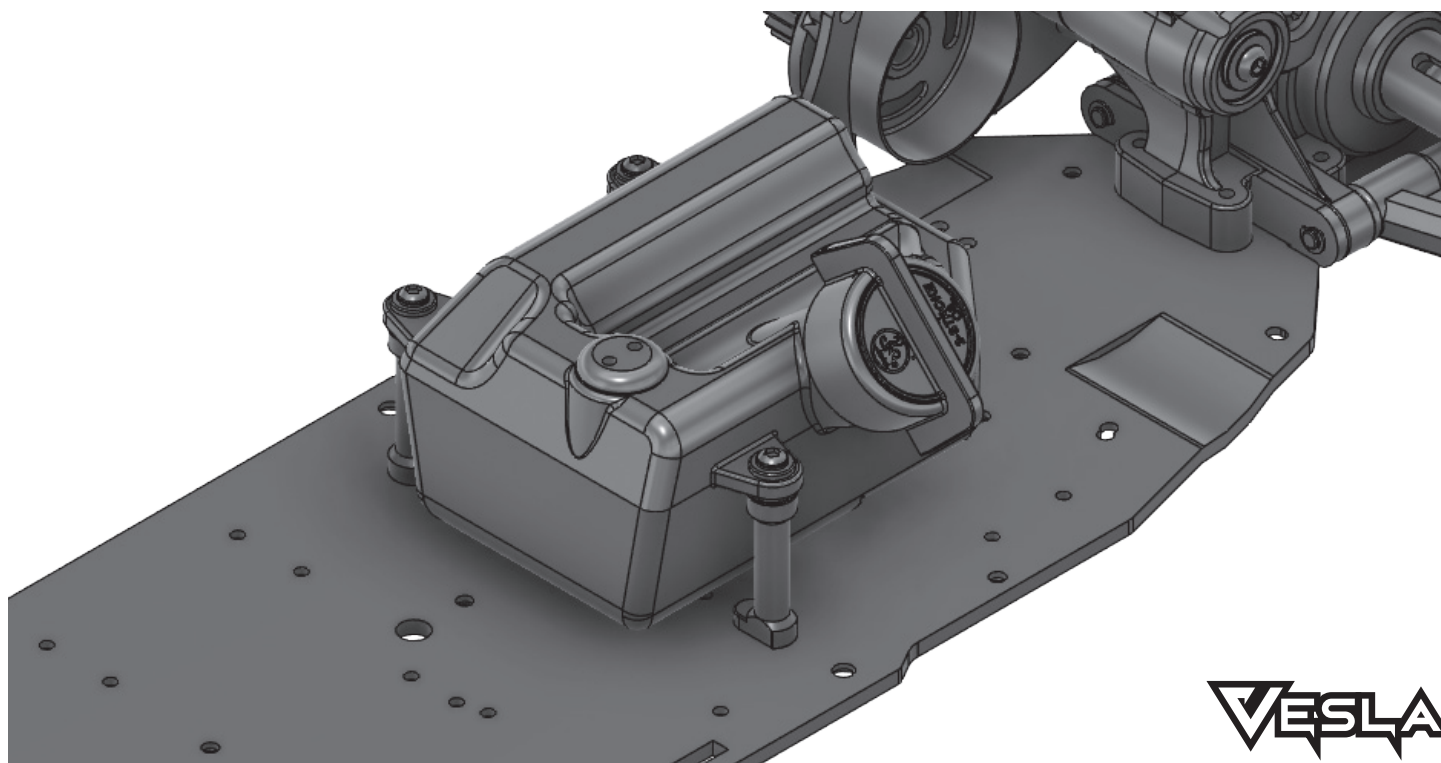


ASSEMBLY	ITEM NUMBER	NAME	QUANTITY
1	KVS116	Engine Brace	1
2	KV3364	FH4x16mm	2
3	KV3380	Washer 4x11x1mm	4
4	KV3332	Lock Nut M4	2
5	KVS487	Fuel Tank Post B	1
6	KV3391	FH4x12mm	2
7	KVS448	BH4x10mm	2
8	KVS462	Gas Tank	1

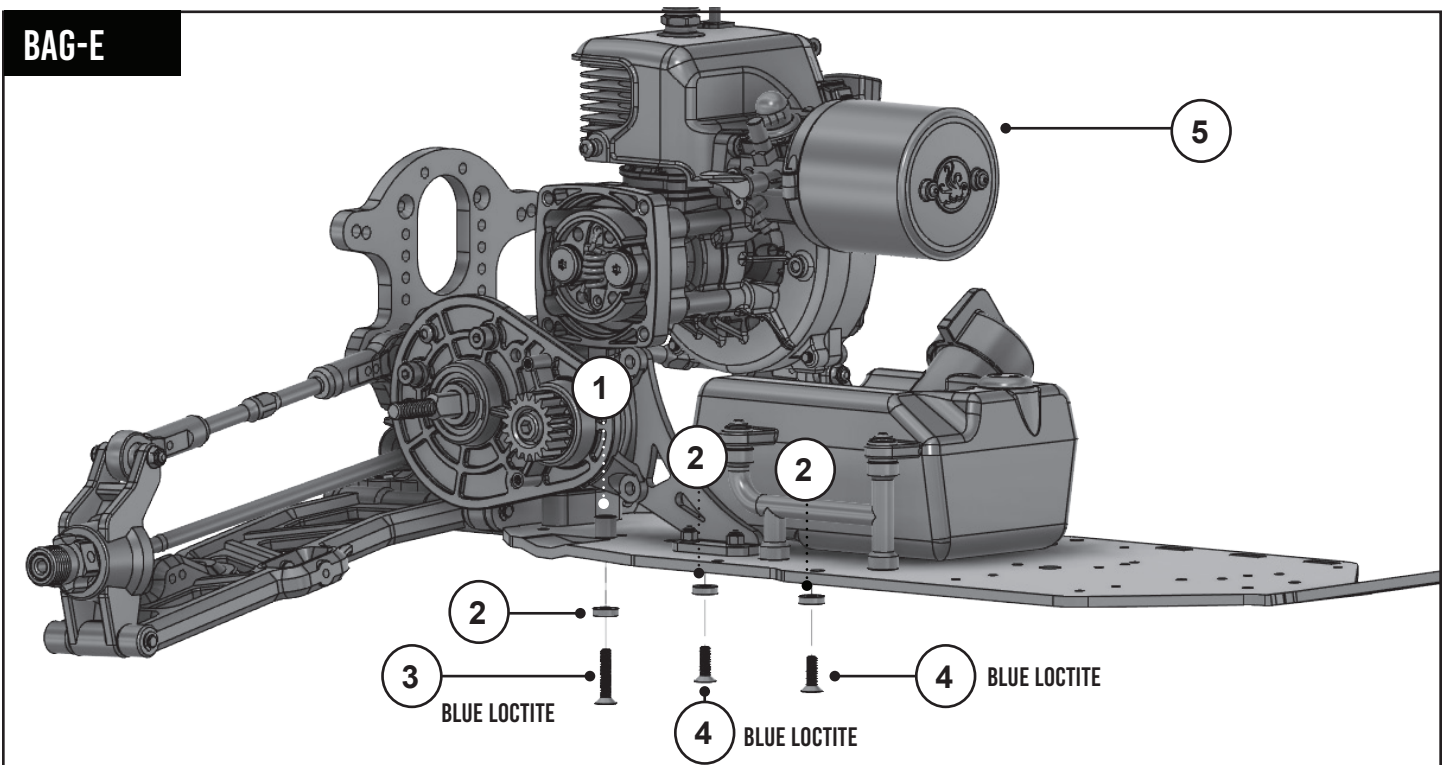




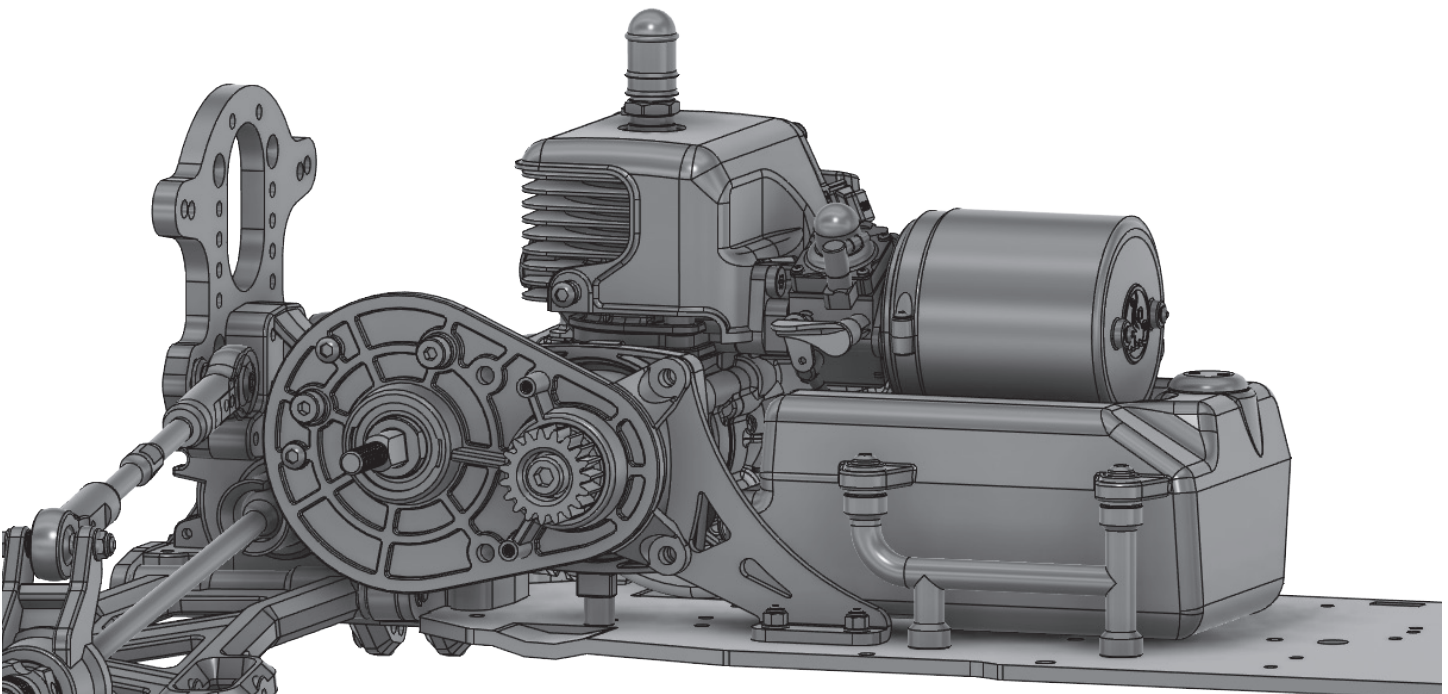
ASSEMBLY	ITEM NUMBER	NAME	QUANTITY
1	KV3391	FH4x12mm	1
2	KVS488	Fuel Tank Post C	1
3	KV3380	Washer 4x11x1mm	1
4	KVS448	BH4x10mm	1

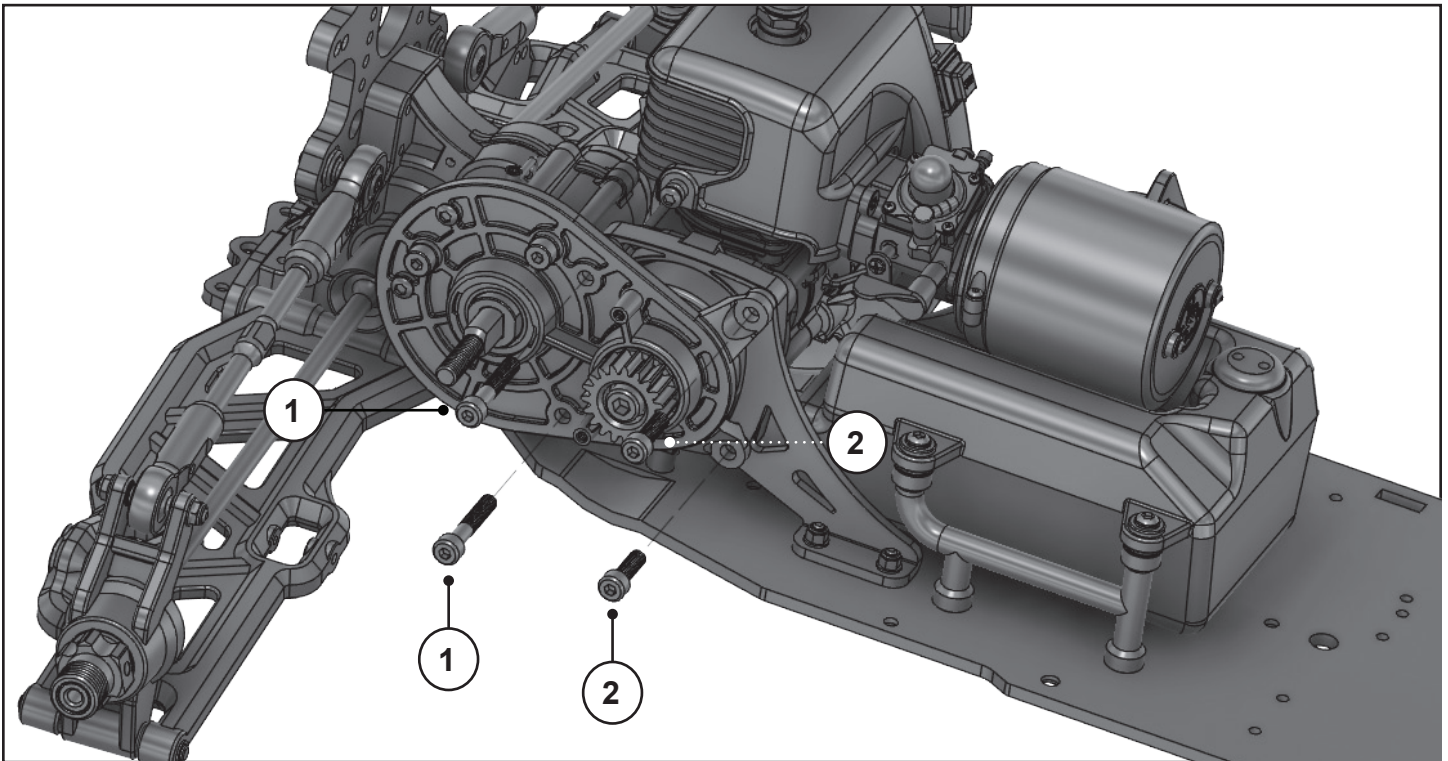


BAG-E

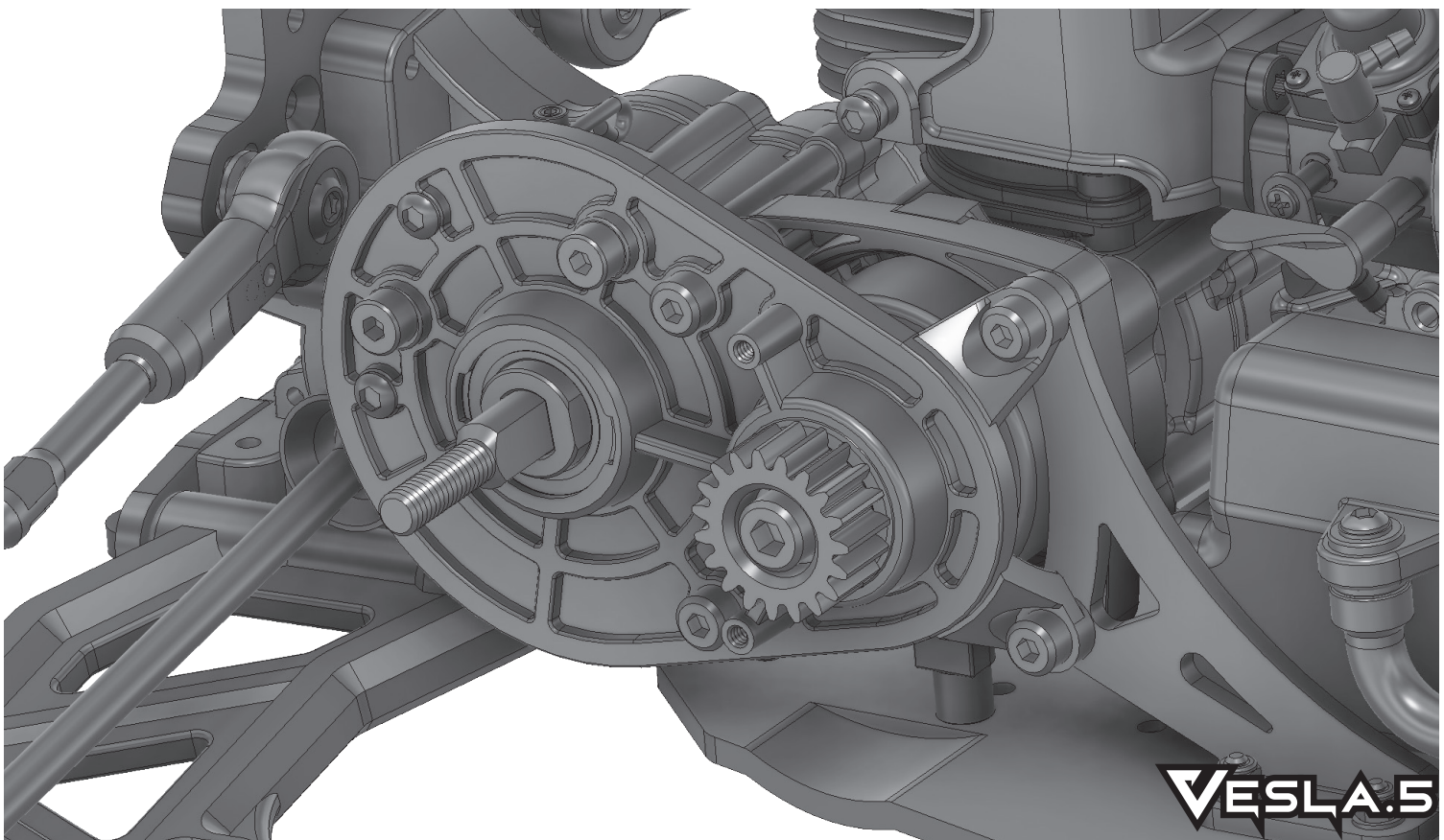


ASSEMBLY	ITEM NUMBER	NAME	QUANTITY
1	KVS477	Spacer 5x10x9.5mm	1
2	KV5575	Engine Washer Washer M5	3
3	KV3368	FH5x25mm	1
4	KV3366	FH5x16mm	2
5		Engine (Not included)	1

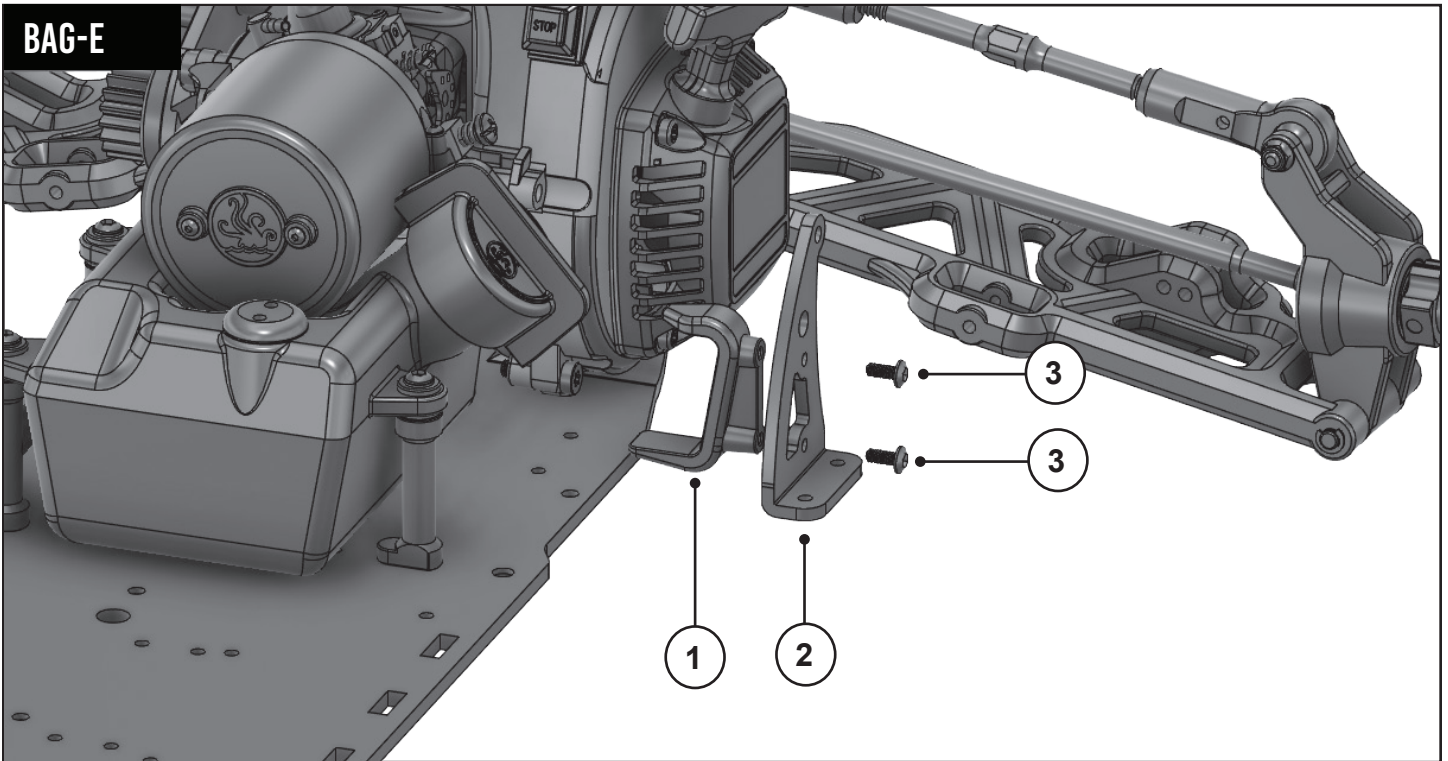




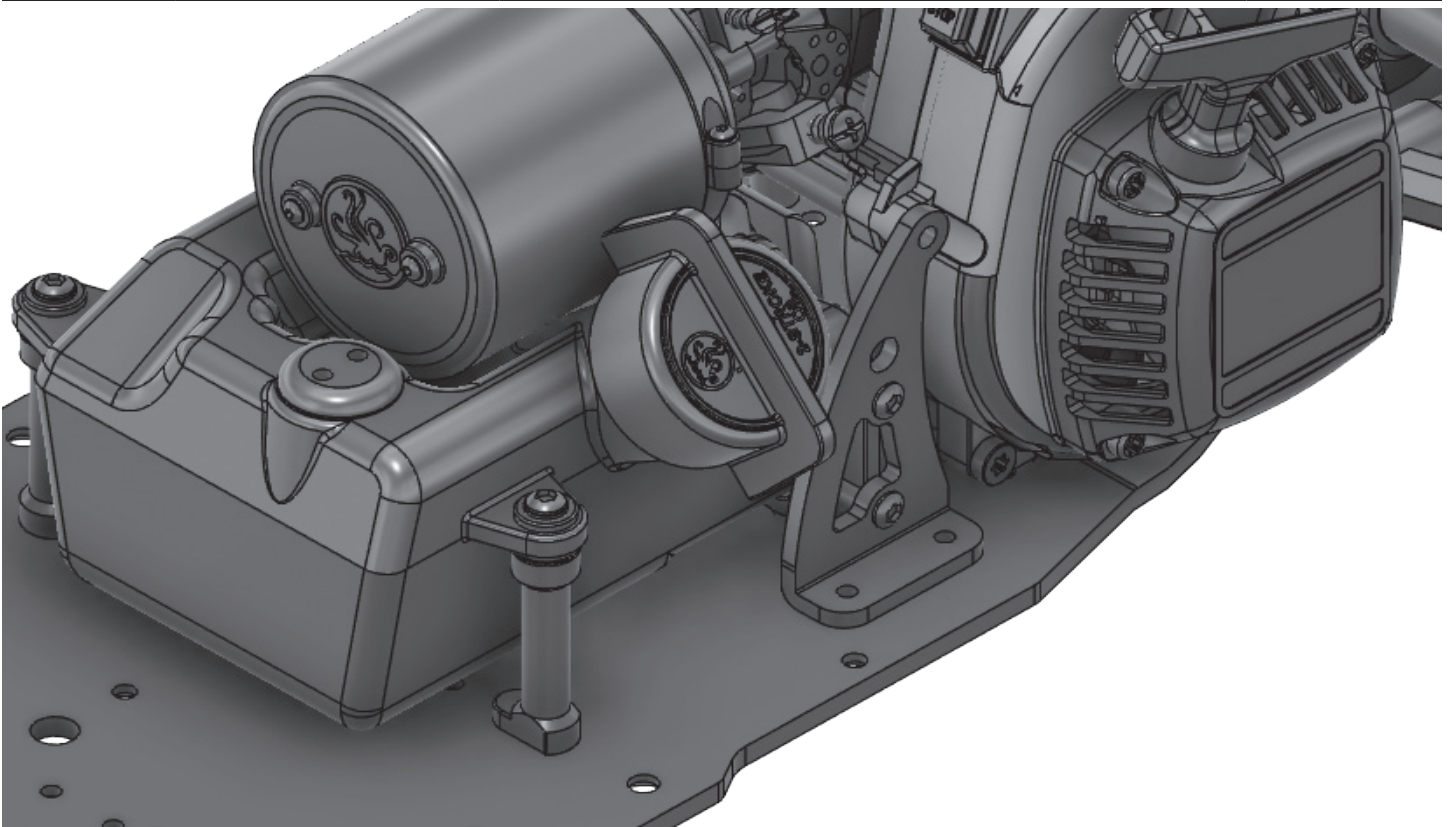
ASSEMBLY	ITEM NUMBER	NAME	QUANTITY
1	KV3361	CH6x35mm	2
2	KVS452	CH6x20mm	2

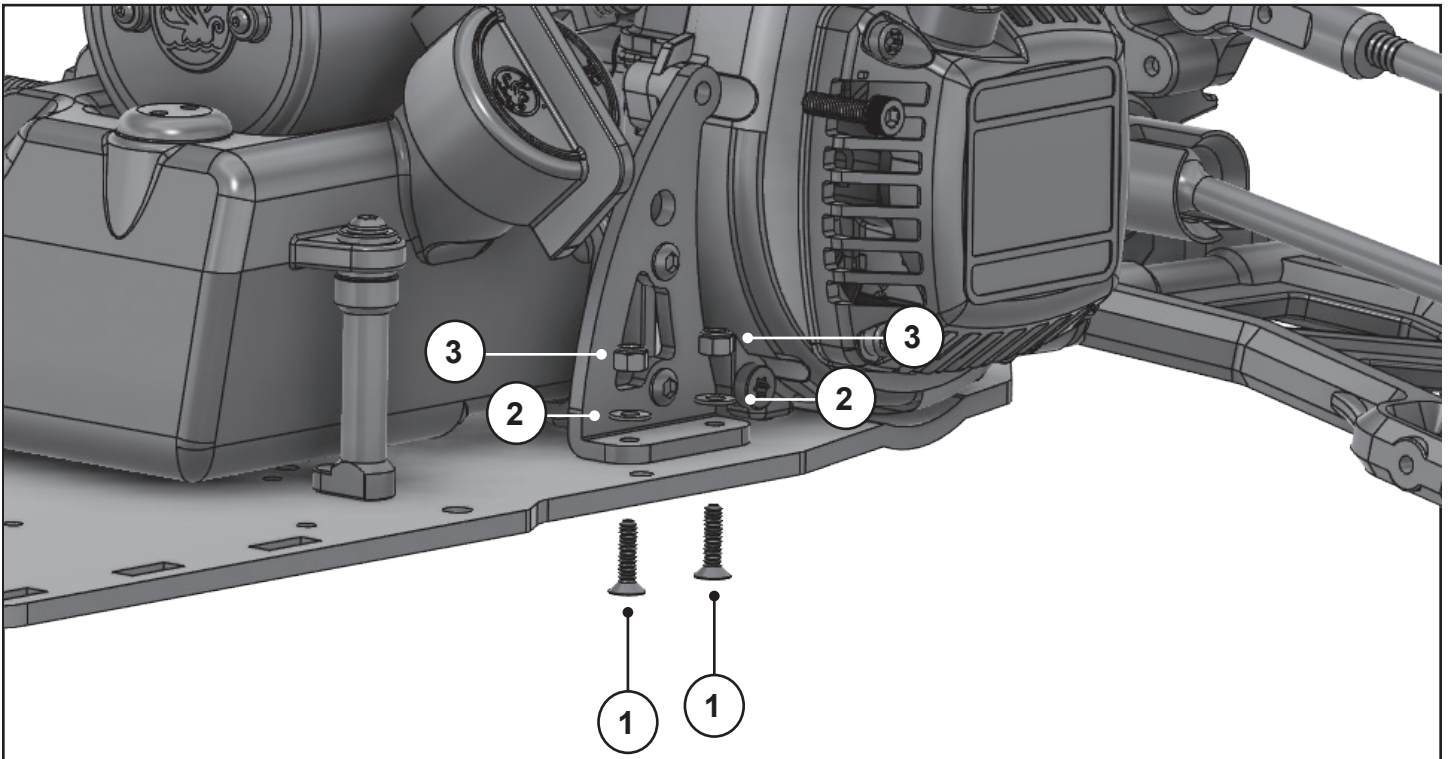


BAG-E

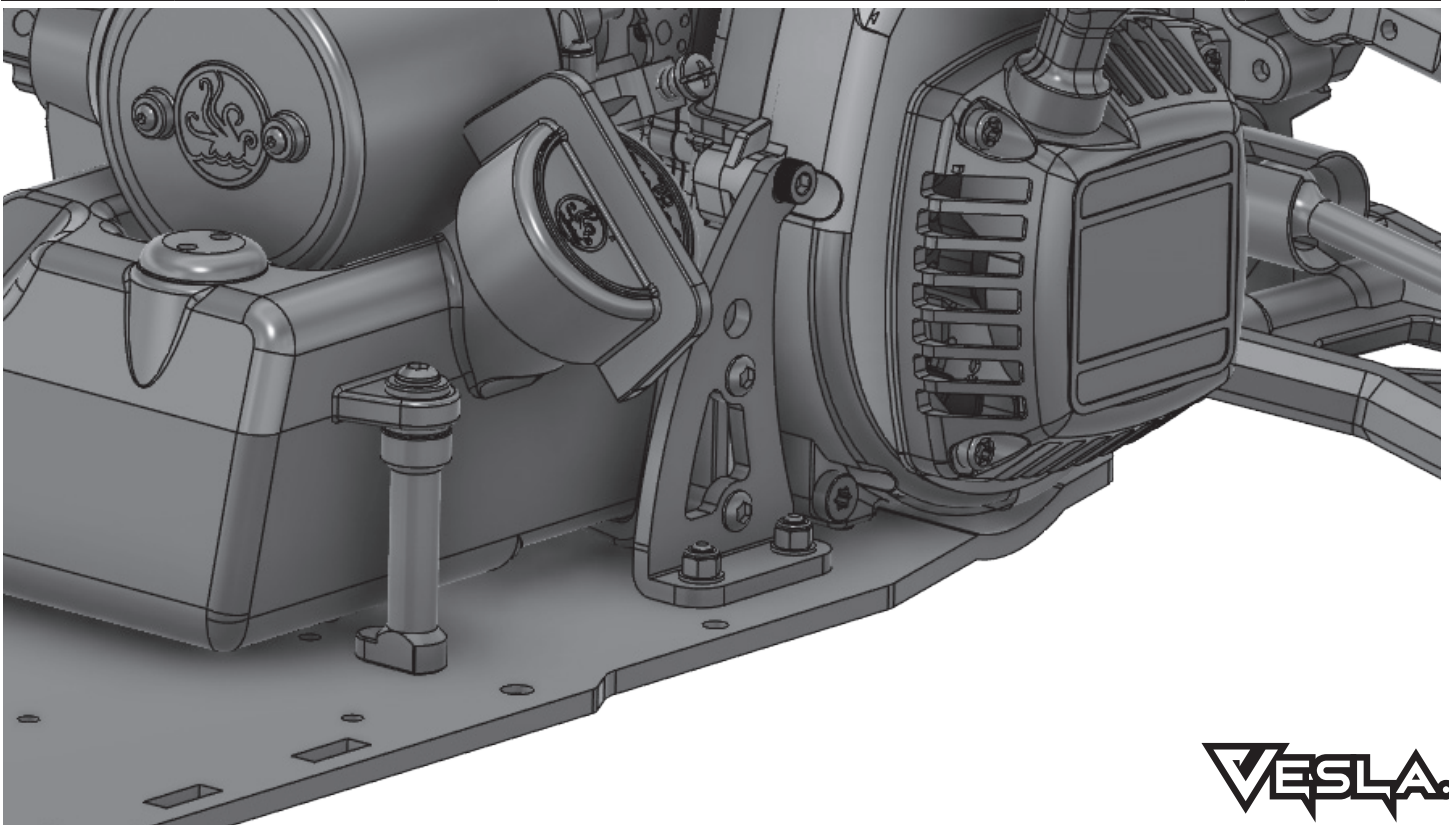


ASSEMBLY	ITEM NUMBER	NAME	QUANTITY
1	KVS489	Fuel Tank Post D	1
2	KVS435	Engine Brace B	1
3	KVS448	BH4x10mm	2

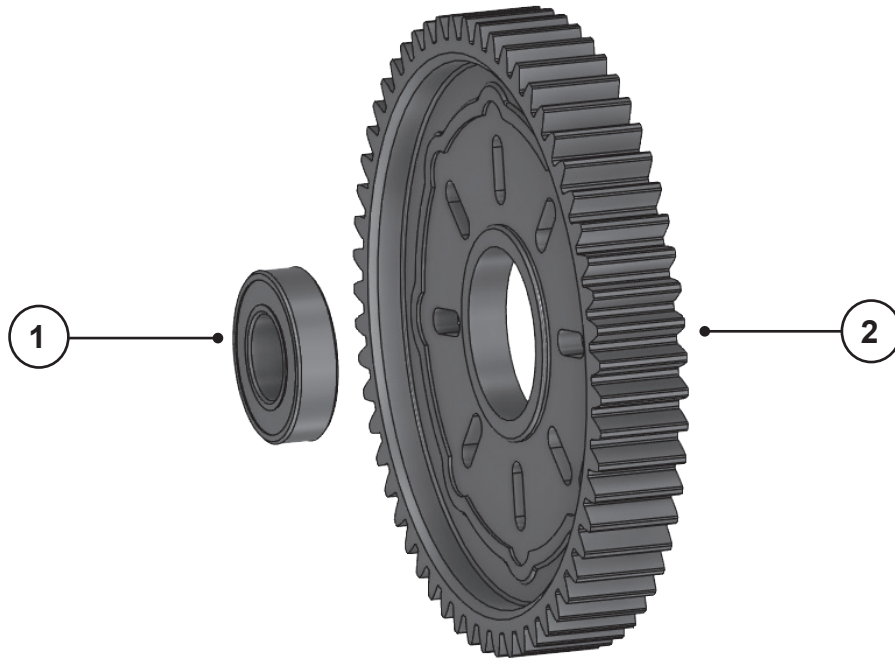




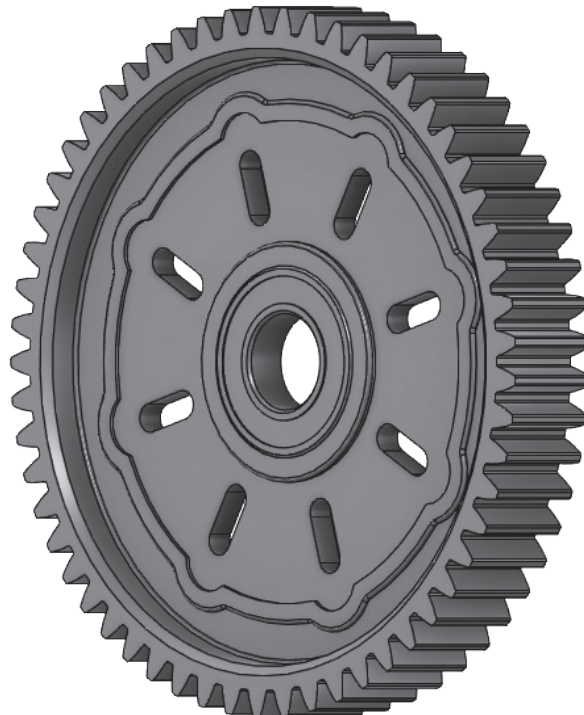
ASSEMBLY	ITEM NUMBER	NAME	QUANTITY
1	KV3364	FH4x16mm	2
2	KV3380	Washer 4x11x1mm	2
3	KV3332	Lock Nut M4	2

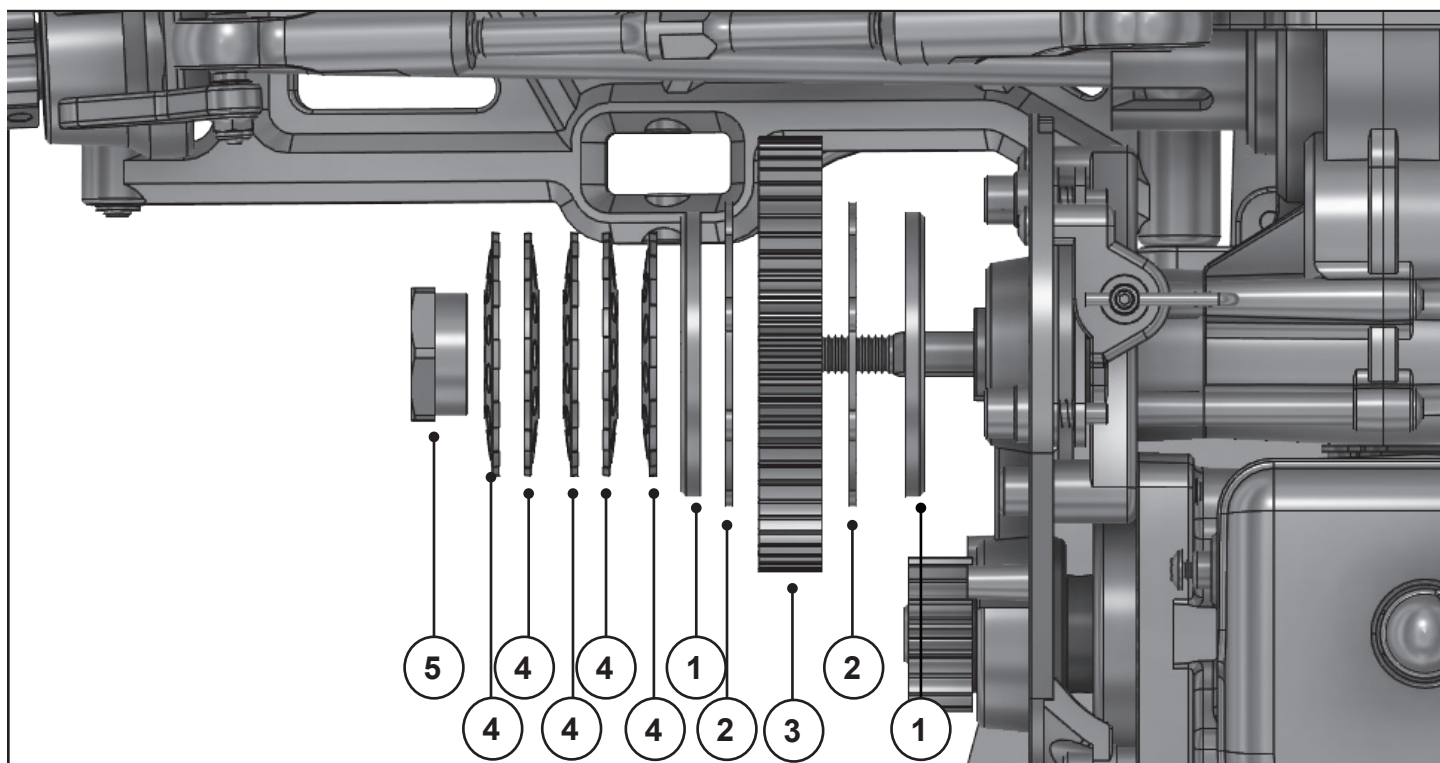


BAG-F

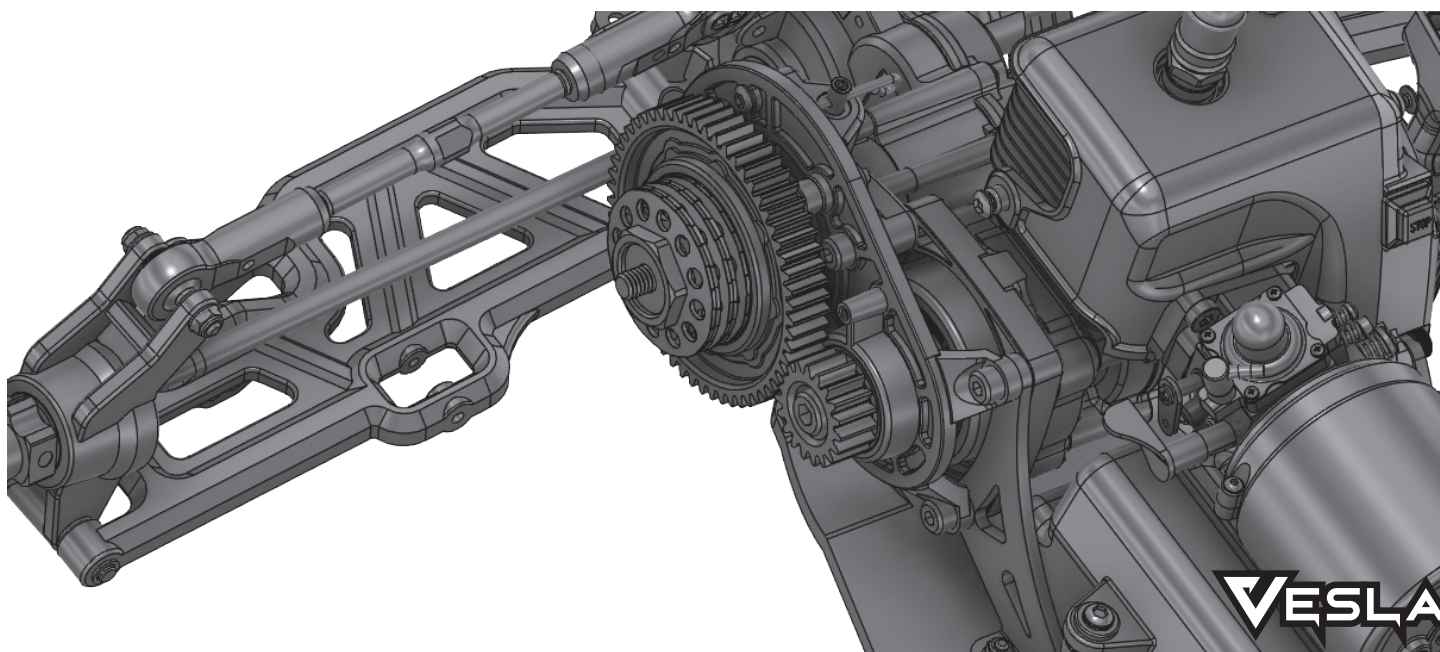


ASSEMBLY	ITEM NUMBER	NAME	QUANTITY
1	KV3315	Bearing 12x24x6mm	1
2	KVS530	Spur Gear T57	1





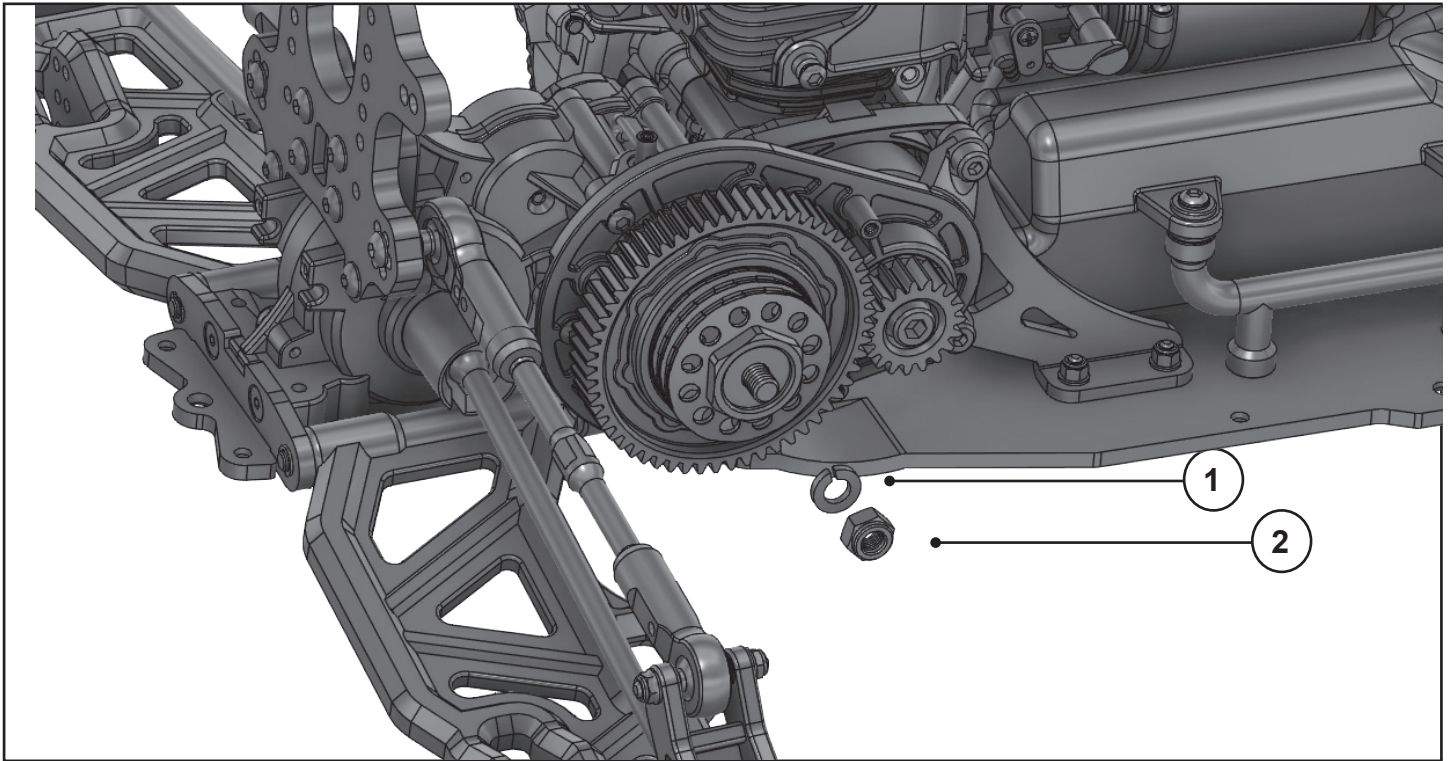
ASSEMBLY	ITEM NUMBER	NAME	QUANTITY
1	KVS532	Slipper Disk	2
2	KV4414	Slipper Pad	2
3	KVS530	Spur Gear T57	1
4	KV3306	Disk Springs 50x25.4x1.5mm	5
5	KVS463	Adjusting Nut	1



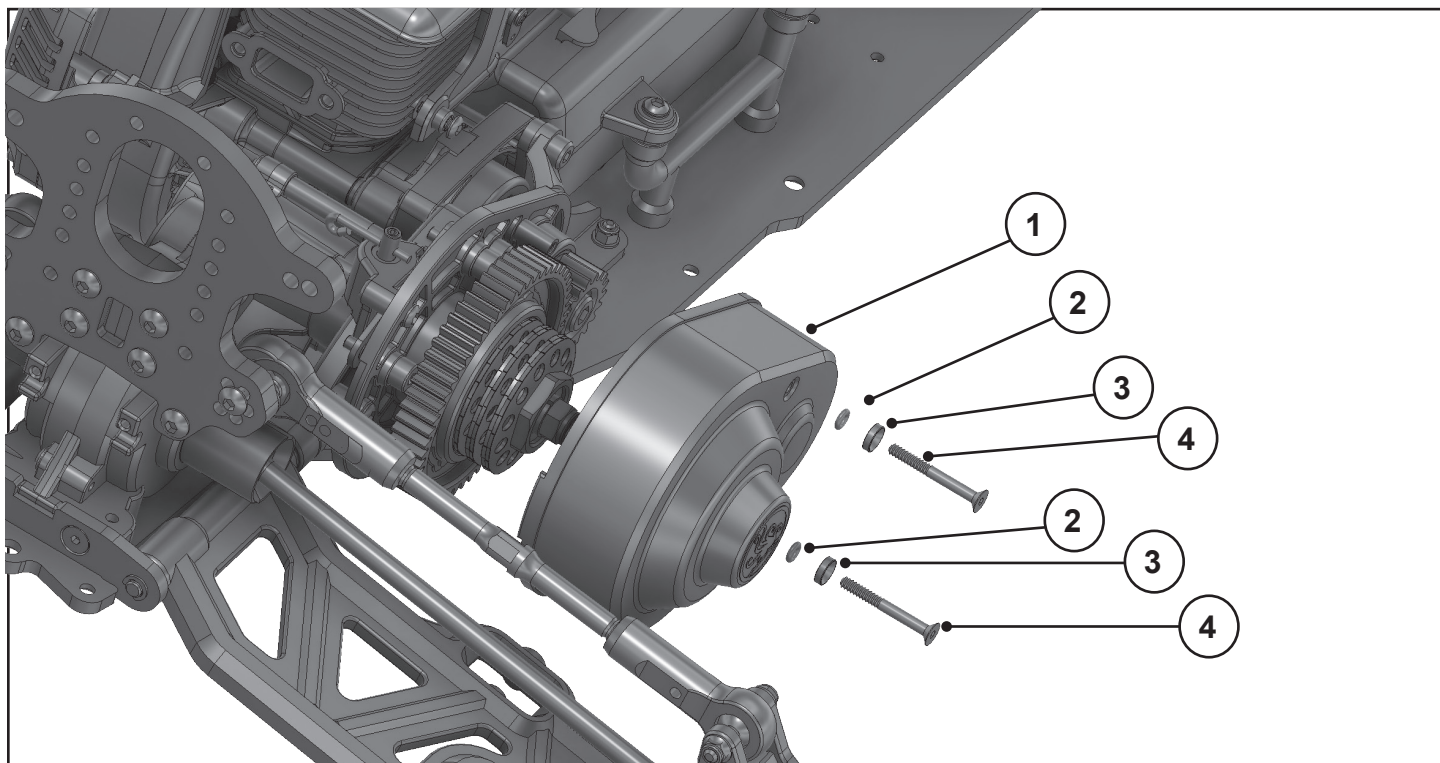
BAG-F

FULLY TIGHTEN CLOCKWISE, THEN LOOSEN BY 1/8TH OF A TURN

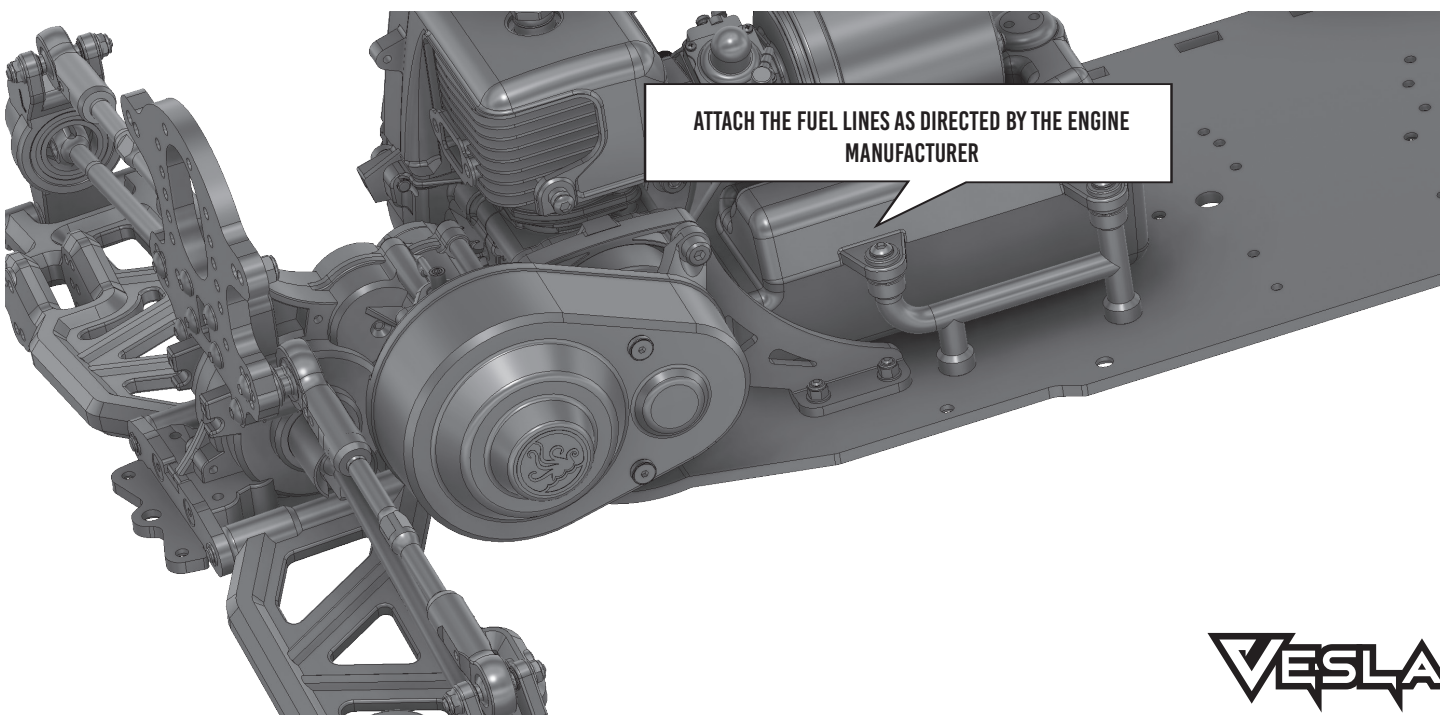
JAM THE HOLE ON THE CLUTCH BELL WITH A SCREWDRIVER



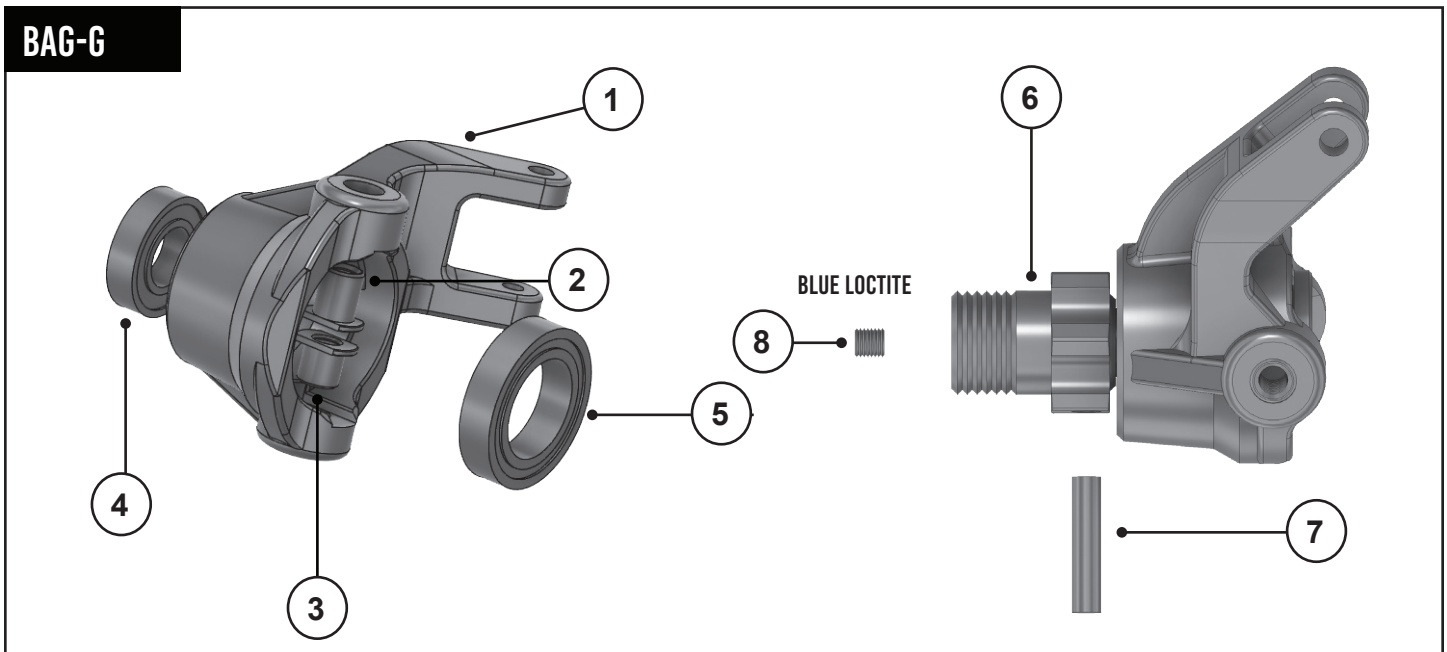
ASSEMBLY	ITEM NUMBER	NAME	QUANTITY
1	KV3383	Lock Washer	1
2	KV3349	Lock Nut M8	1



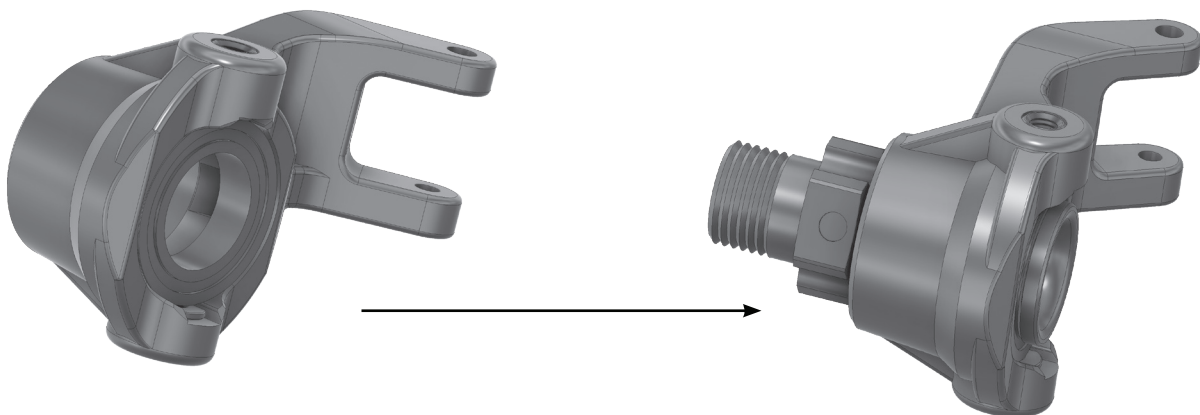
ASSEMBLY	ITEM NUMBER	NAME	QUANTITY
1	KVS501	Gear Cover	1
2	KVS480	O-Ring 038x019	2
3	KVS518	Washer M4	2
4	KVS521	FH4x30mm	2

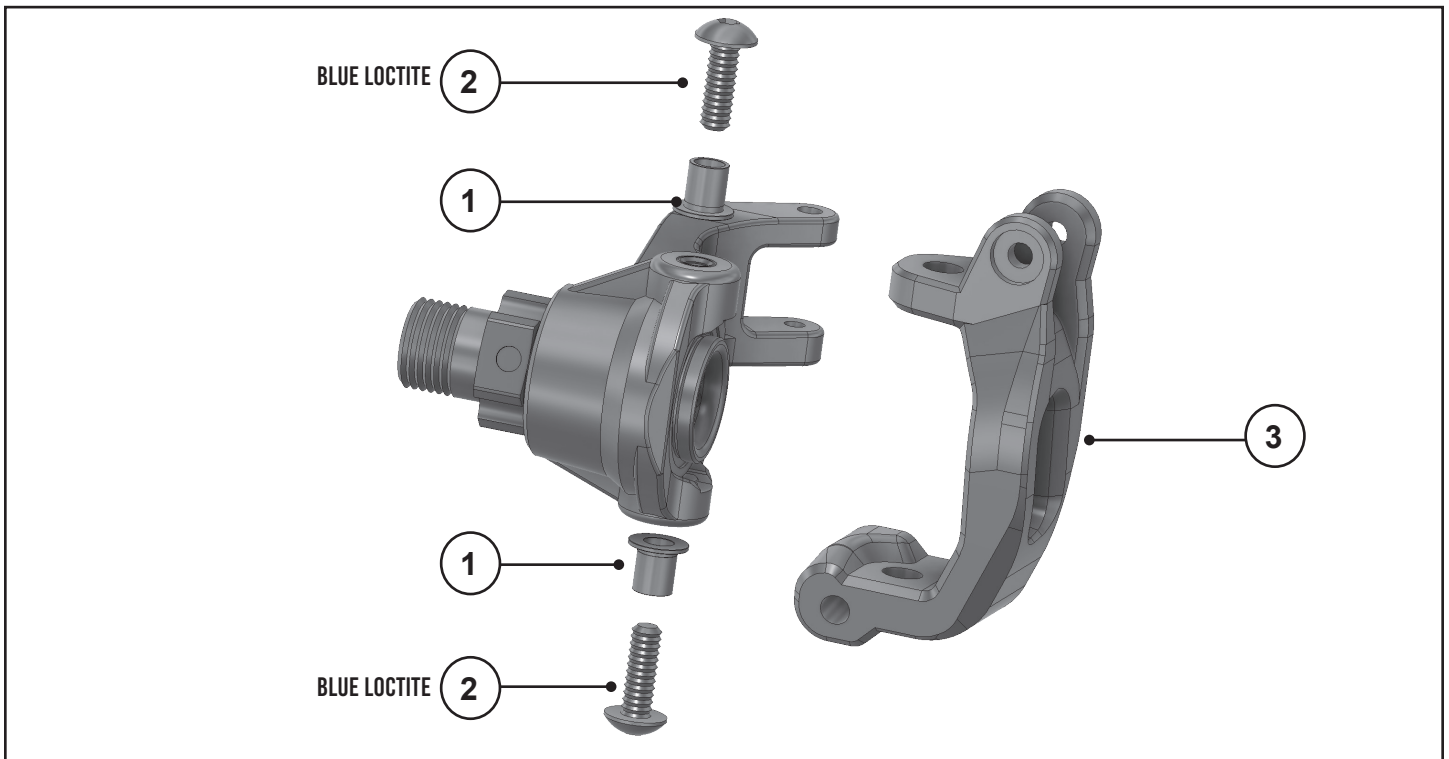


BAG-G

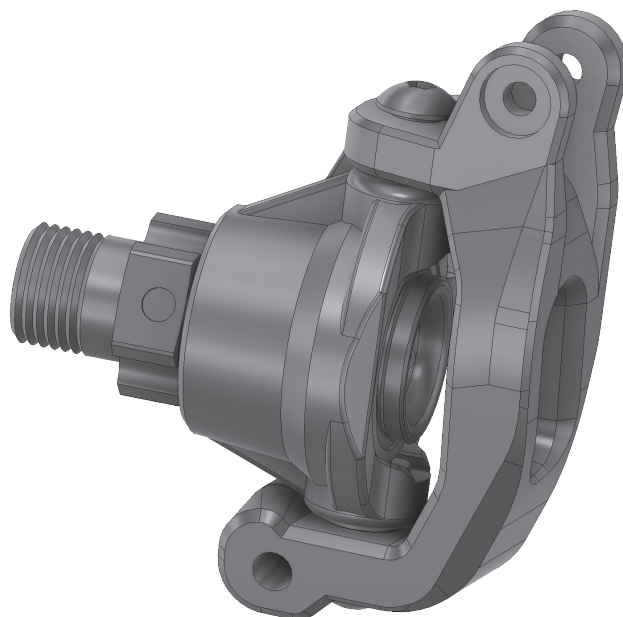


ASSEMBLY	ITEM NUMBER	NAME	QUANTITY
1	KV8810	Spindle Right	1
2	KV5578	King Pin Nut A	1
3	KV5567	King Pin Nut B	1
4	KV3315	Bearing 12x24x6mm	1
5	KV3318	Bearing 20x23x7mm	1
6	KV4438	Wheel Hex	1
7	KV5504	Pin 5x23.4mm	1
8	KV3392	Set Screw 5x5mm	1

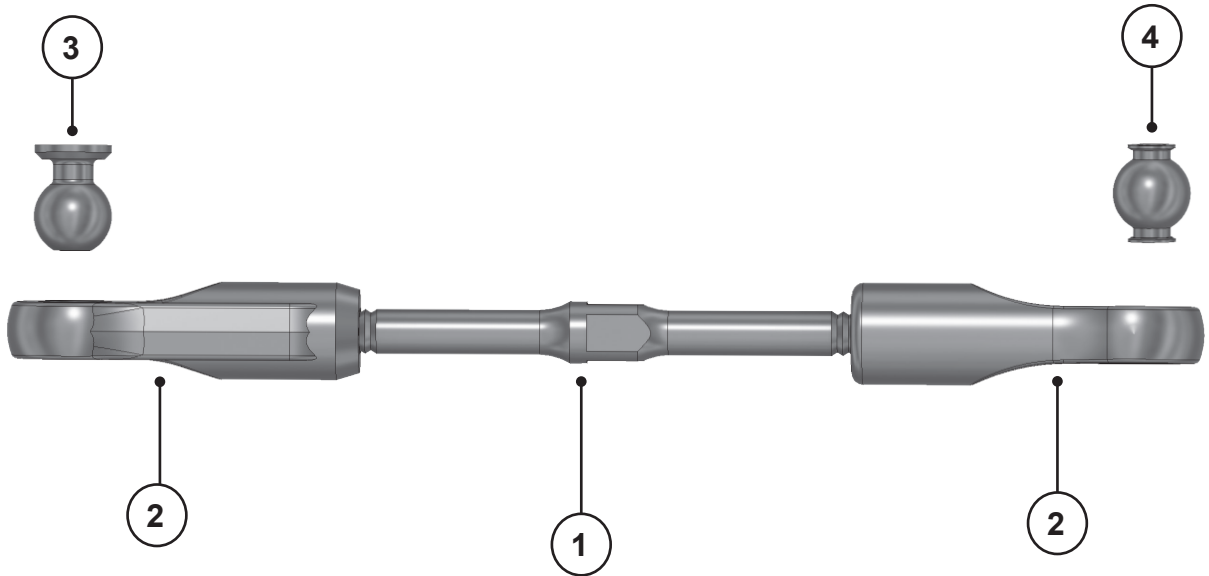




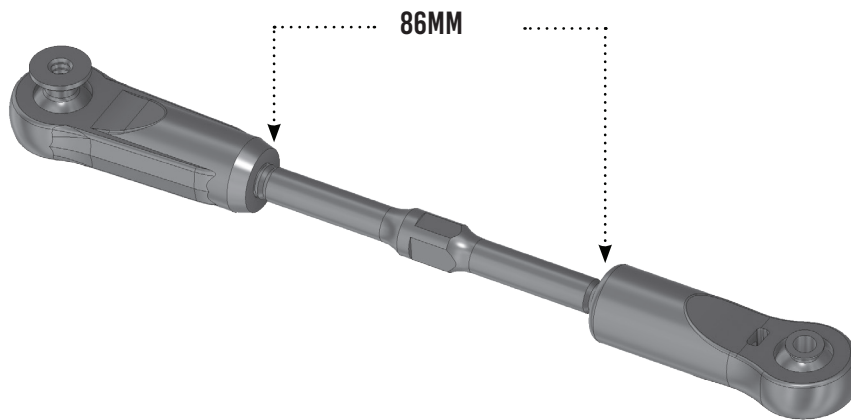
ASSEMBLY	ITEM NUMBER	NAME	QUANTITY
1	KV5521	King Pin Bushing	2
2	KV3351	BH6x18mm	2
3	KV8828/KV8829	Spindle Carrier L/R	1

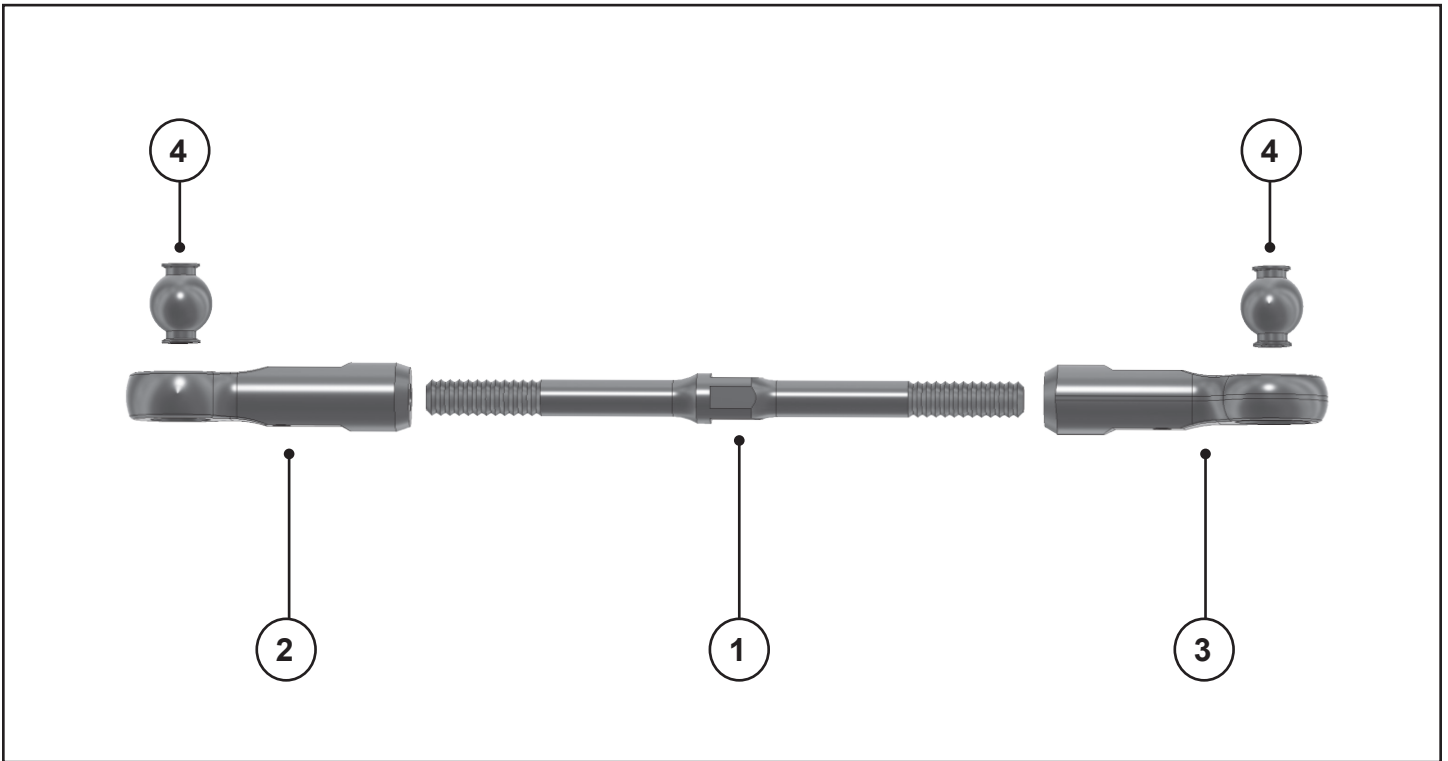


BAG-G

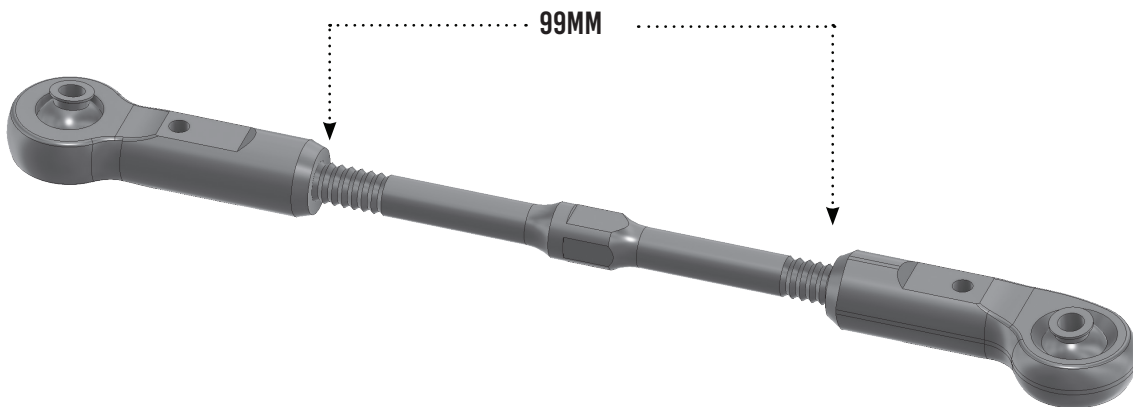


ASSEMBLY	ITEM NUMBER	NAME	QUANTITY
1	KVS539	Turn Buckle M8x130mm	1
2	KV8821	Rod End B13.8x50x8mm	2
3	KVS536	Ball B13.8 M5mm	1
4	KV5589	Ball B13.8x17x5mm	1

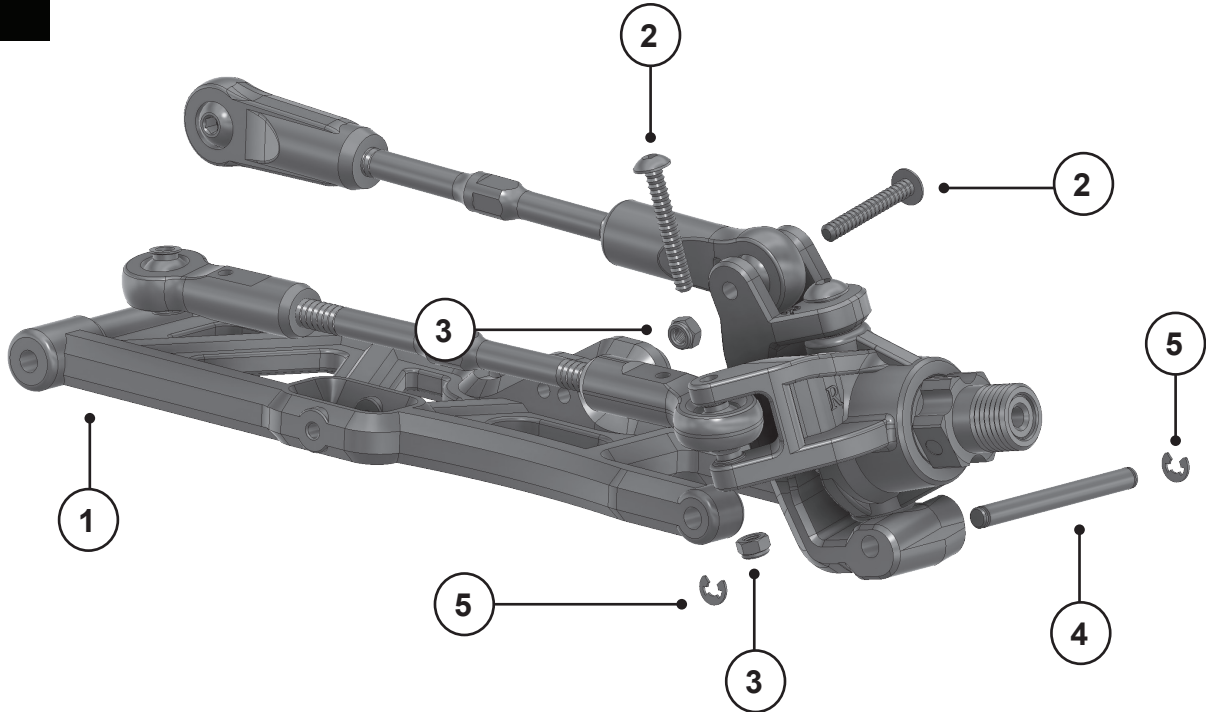




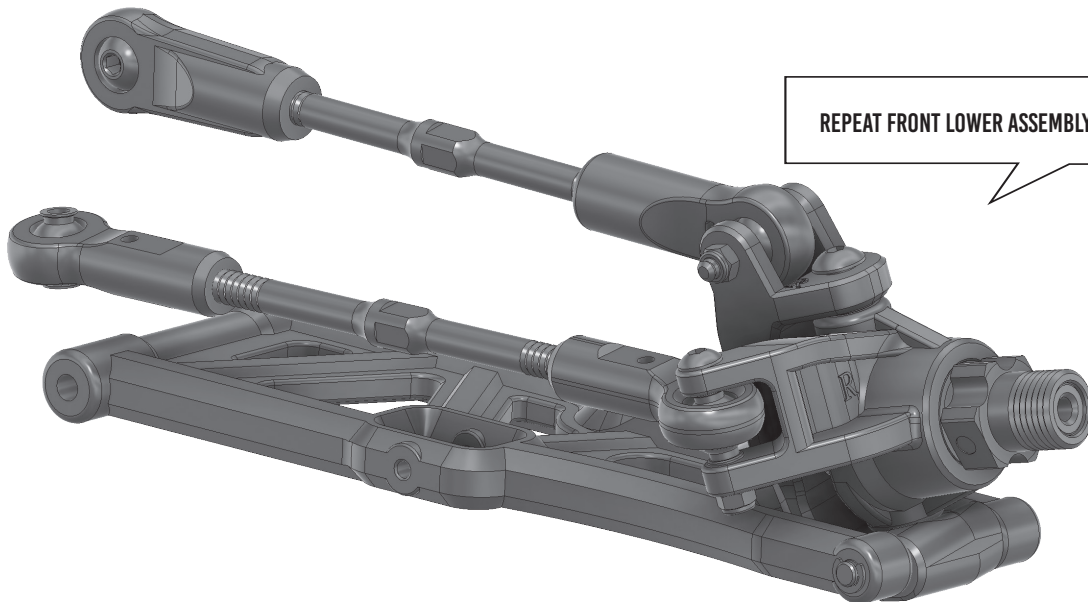
ASSEMBLY	ITEM NUMBER	NAME	QUANTITY
1	KVS539	TurnBuckle M8x130mm	1
2	KV8817	Rod End B13.8x50x6mm	1
3	KV8818	Off Set Rod End B13.8x50x6mm	1
4	KV5589	Ball B13.8x17x5mm	2



BAG-G

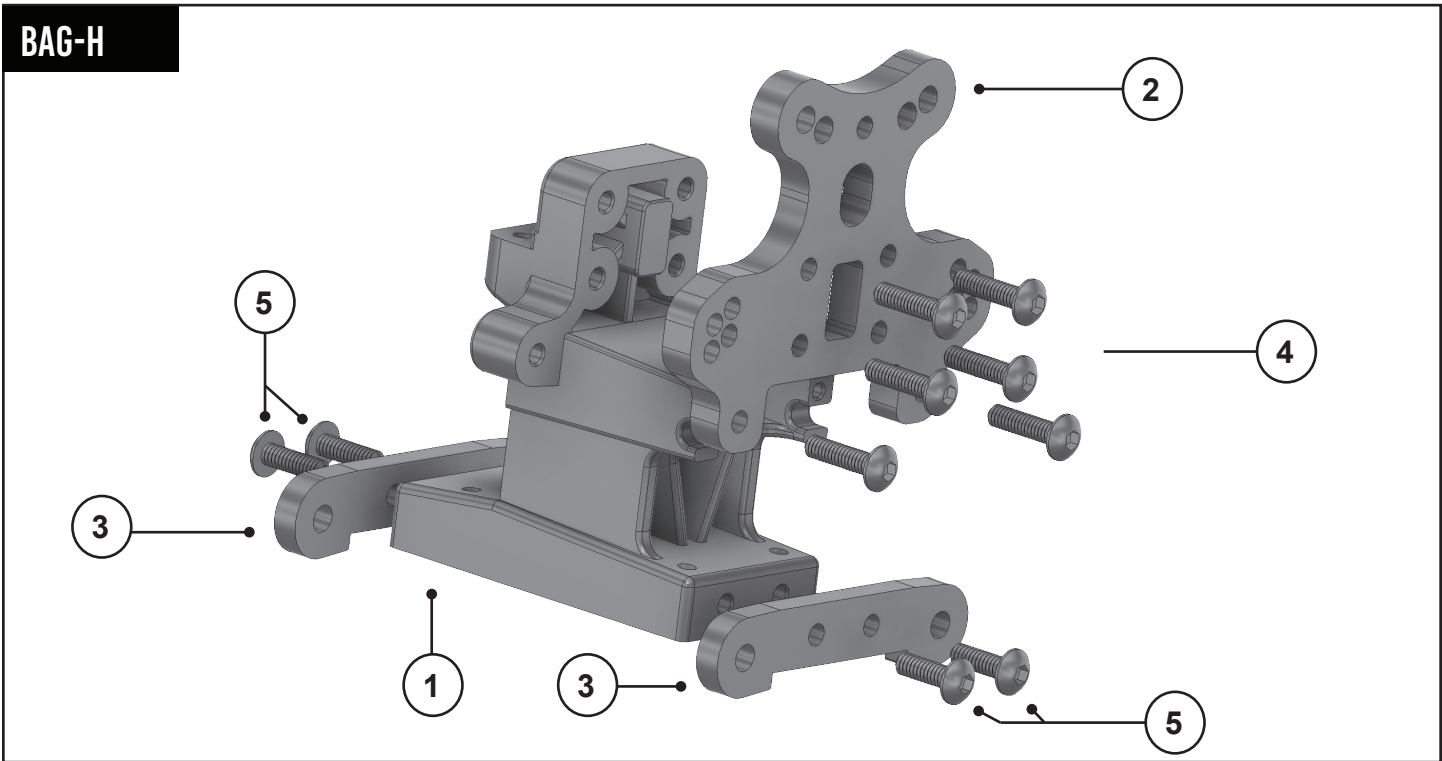


ASSEMBLY	ITEM NUMBER	NAME	QUANTITY
1	KVS483	Front Lower Arm	1
2	KV3347	Screw BH5x35mm	2
3	KV3333	Lock Nut M5	2
4	KVS535	Arm Hinge Pin	1
5	KVS447	Clip Ring E4	2

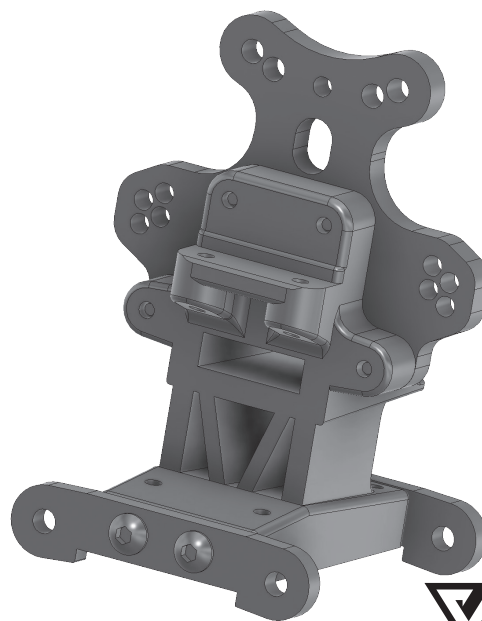
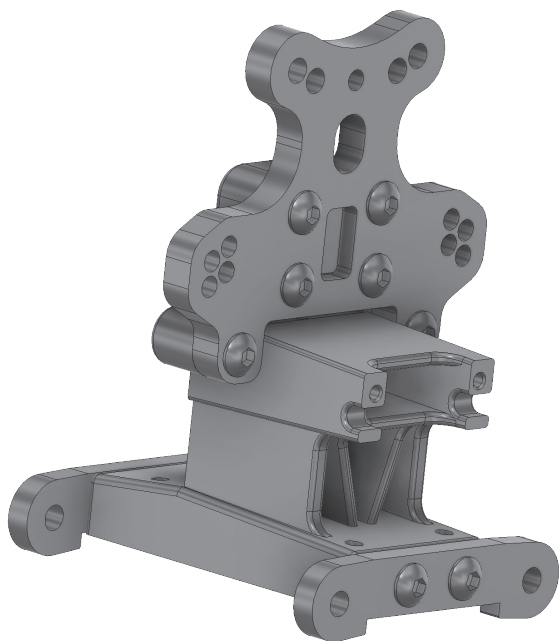


REPEAT FRONT LOWER ASSEMBLY FOR LEFT SIDE

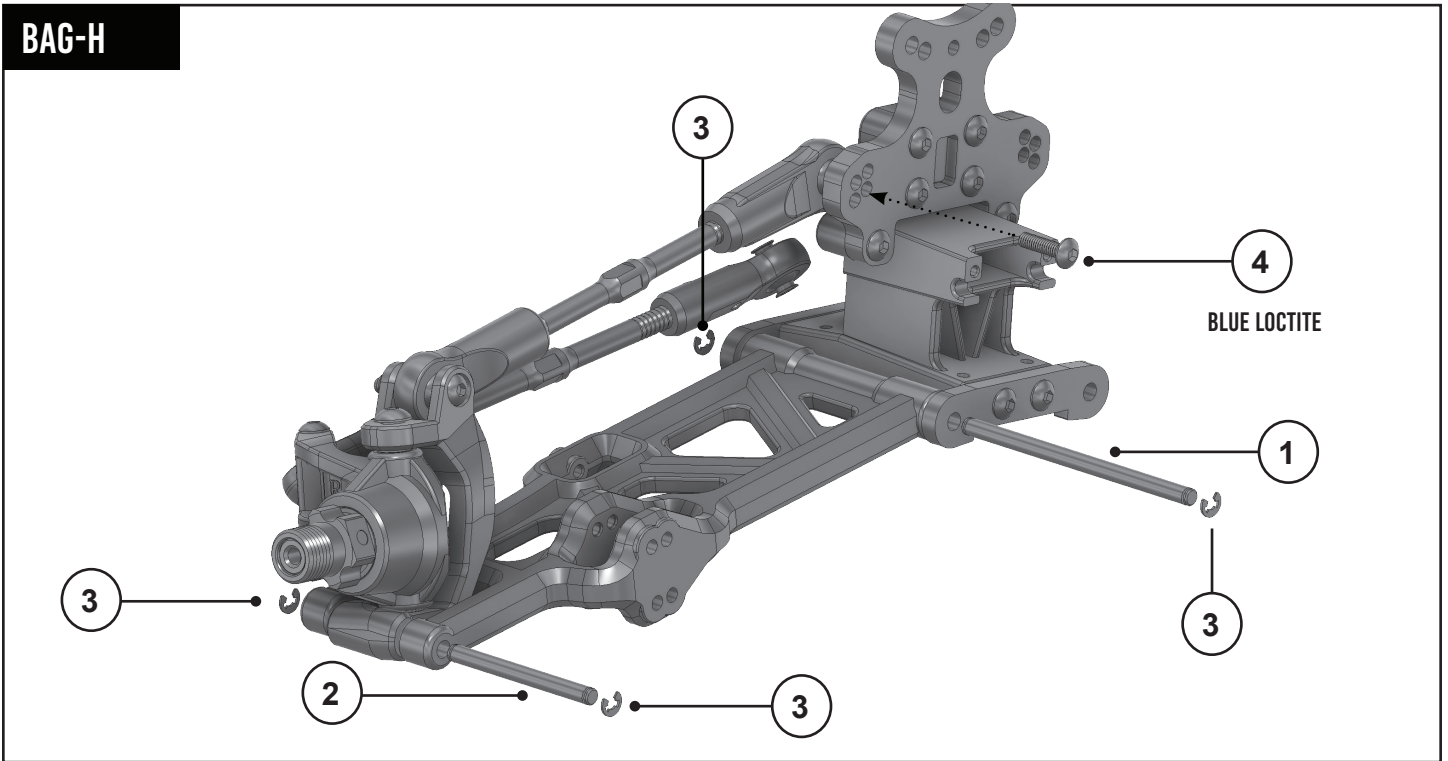
BAG-H



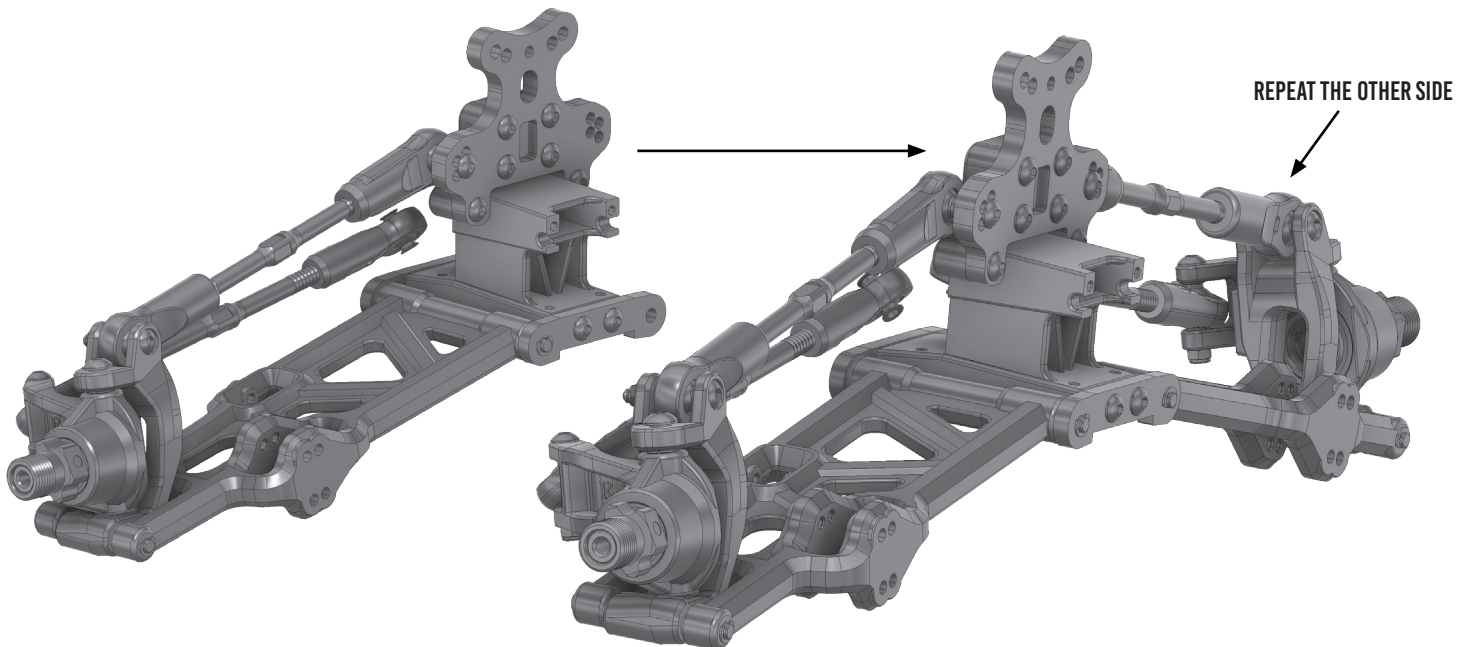
ASSEMBLY	ITEM NUMBER	NAME	QUANTITY
1	KVS482	Front Bulk Head	1
2	KVS441	Front Shock Tower	1
3	KVS437	Front Lower Arm Brace	2
4	KV3345	BH5x20mm	6
5	KV3344	BH5x16mm	4



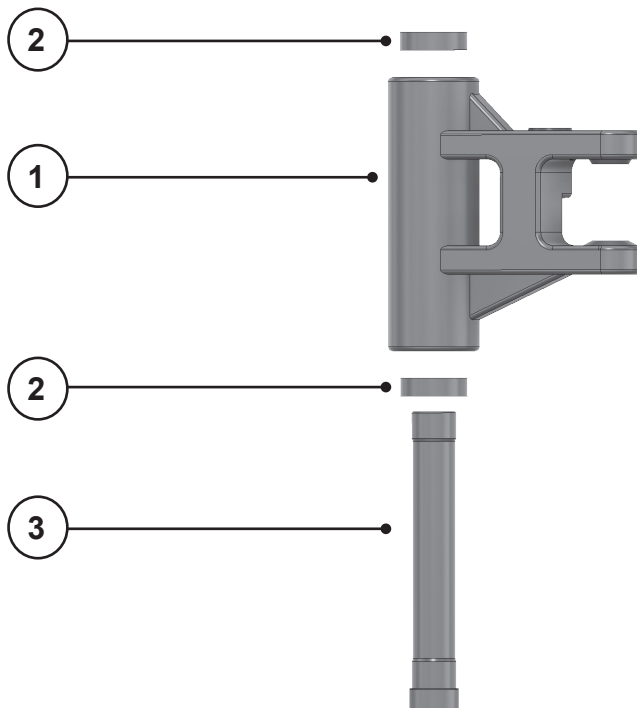
BAG-H



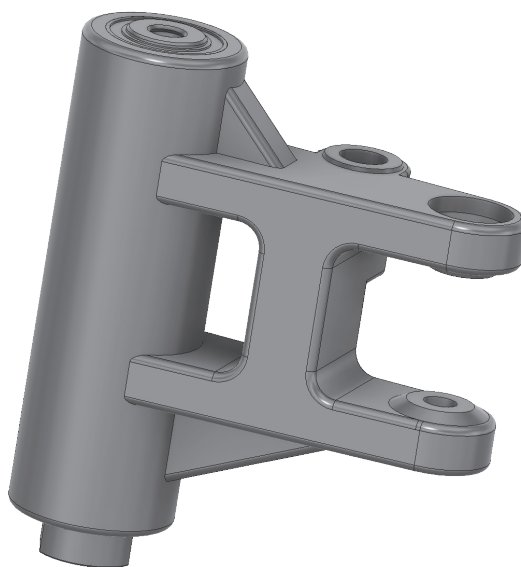
ASSEMBLY	ITEM NUMBER	NAME	QUANTITY
1	KVS537	Front Lower Hinge Pin	1
2	KVS535	Arm Hinge Pin	1
3	KVS447	Clip Ring E4	4
4	KV4435	BH5x20mm	1



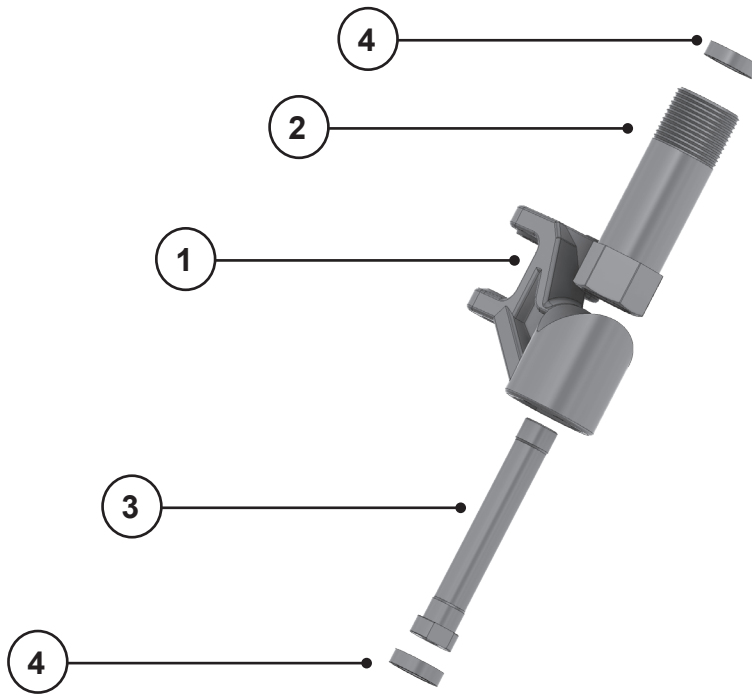
BAG-1



ASSEMBLY	ITEM NUMBER	NAME	QUANTITY
1	KV8836	Steering Horn C	1
2	KV3313	Bearing 10x15x4mm	2
3	KV5538	Steering Post	1

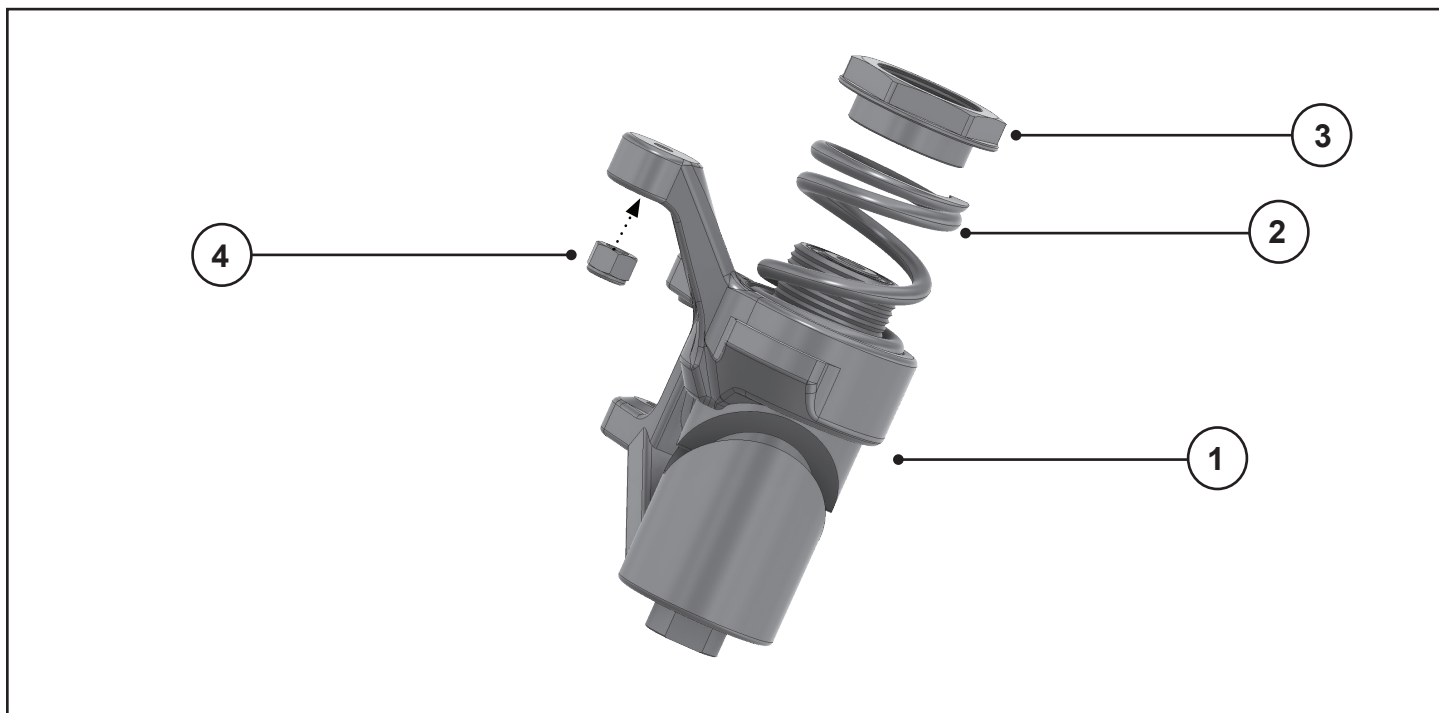


BAG-1

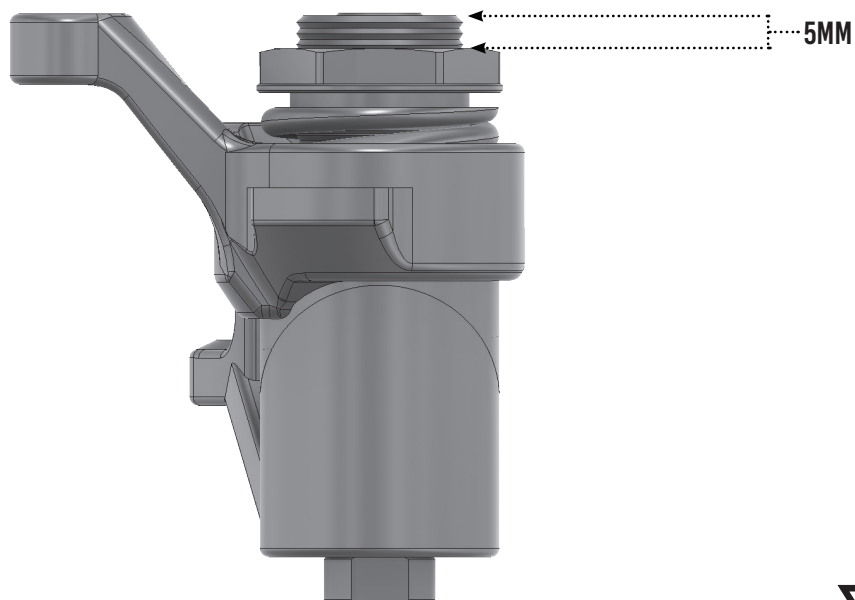


ASSEMBLY	ITEM NUMBER	NAME	QUANTITY
1	KV5539	Steering Horn B	1
2	KV8835	Steering Tube	1
3	KV5538	Steering Post	1
4	KV3313	Bearing 10x15x4mm	2

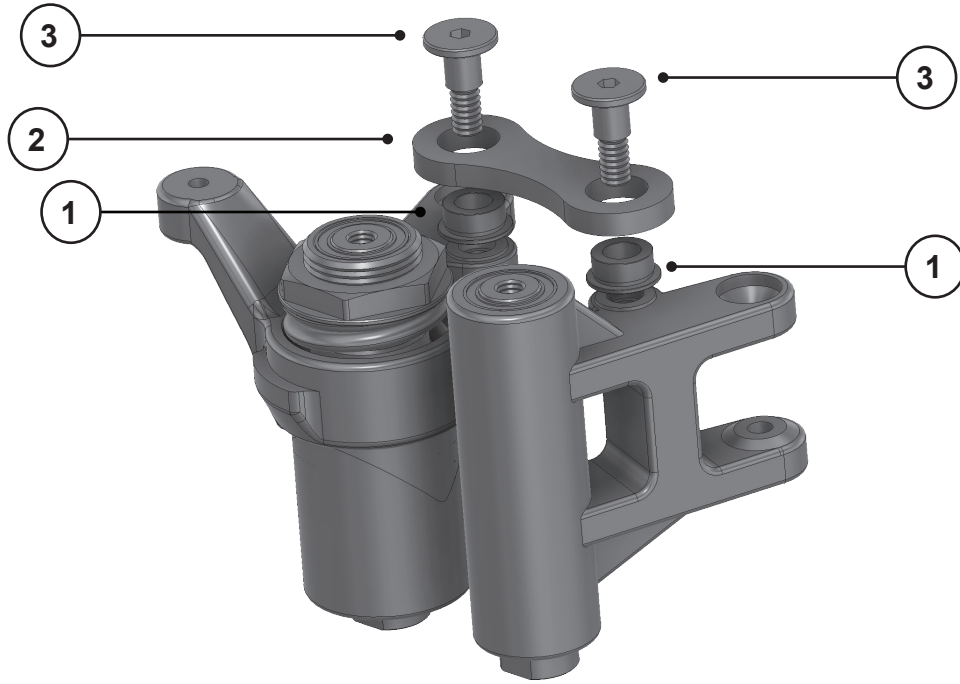




ASSEMBLY	ITEM NUMBER	NAME	QUANTITY
1	KV8834	Steering Horn A	1
2	KV5585	Torsion Spring	1
3	KV5572	Adjusting Nut	1
4	KV3332	Lock Nut M4	1

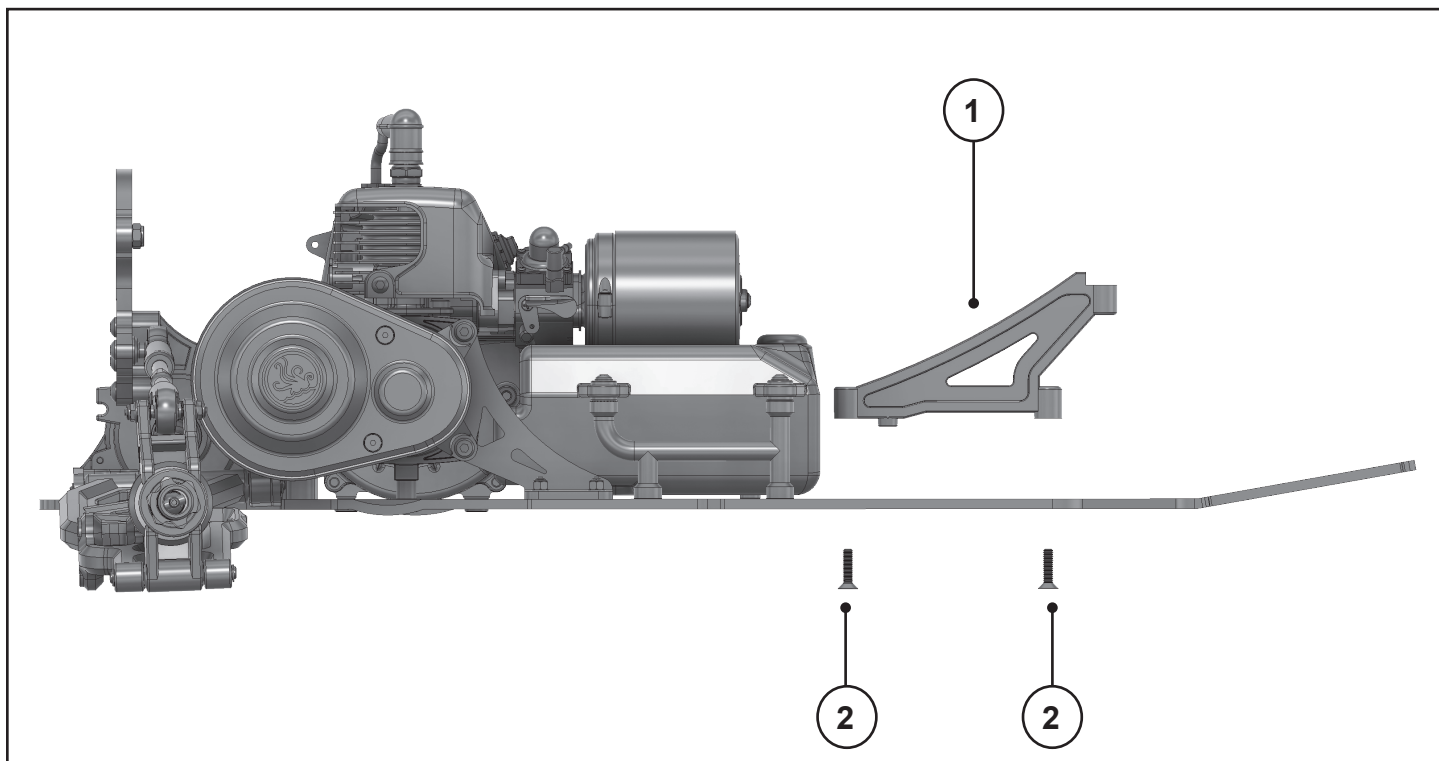


BAG-1

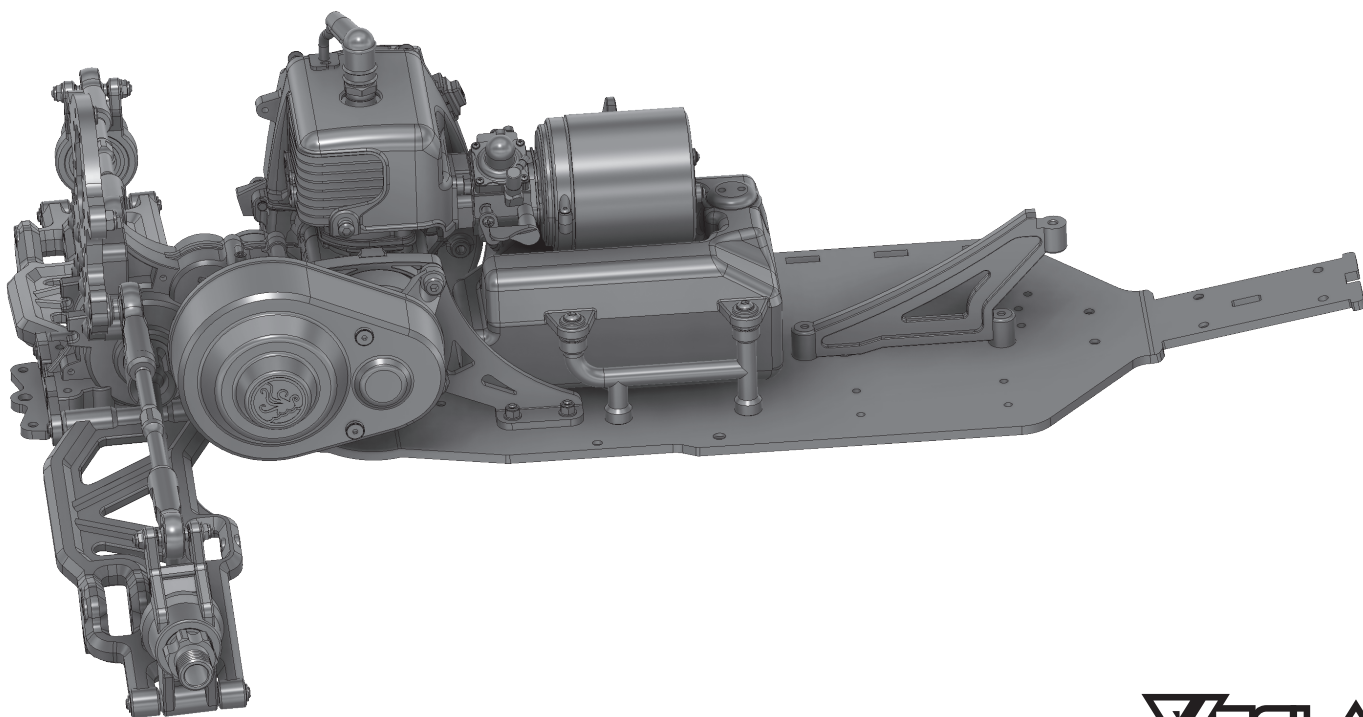


ASSEMBLY	ITEM NUMBER	NAME	QUANTITY
1	KV5512	Flange Bushing 6x10mm	2
2	KVS436	Steering Drag Linkage	1
3	KV5507	Drag Linkage Bolt	2

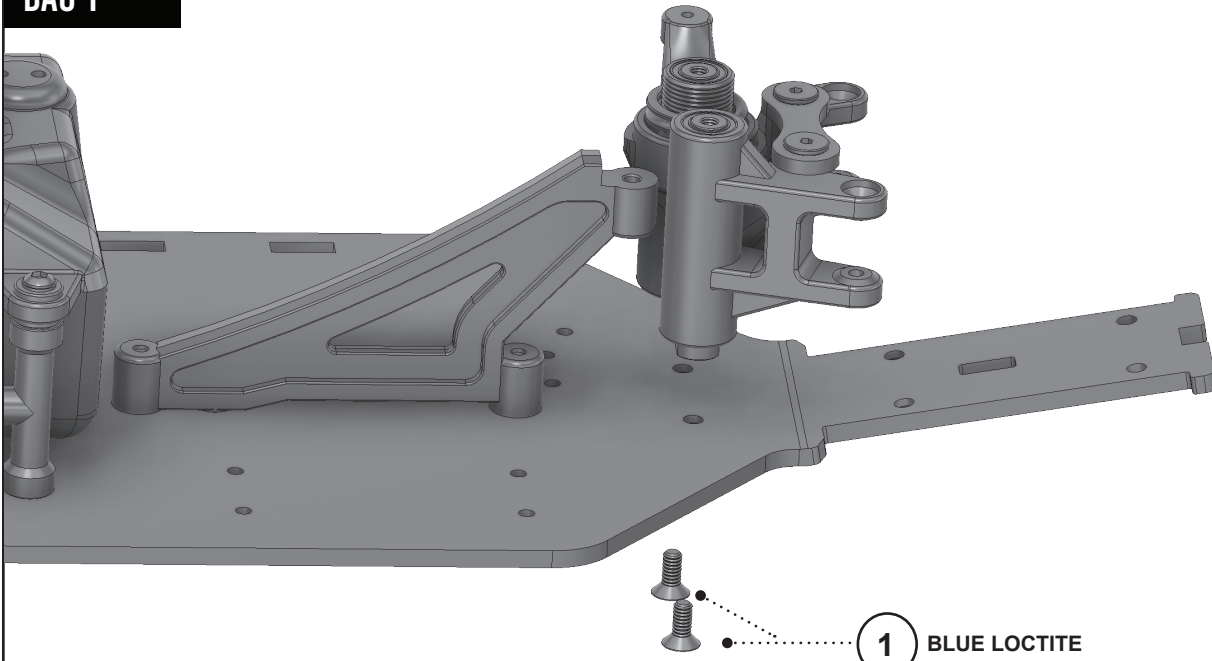




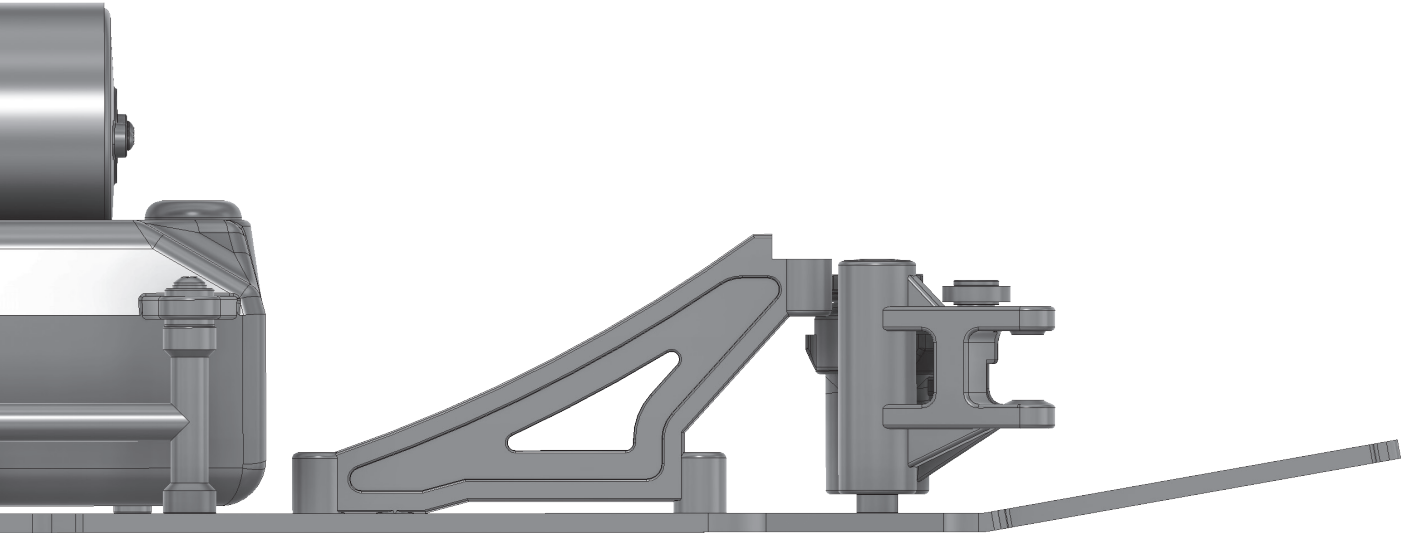
ASSEMBLY	ITEM NUMBER	NAME	QUANTITY
1	KVS142	Front Chassis Bracket	1
2	KV3367	FH5x20mm	2

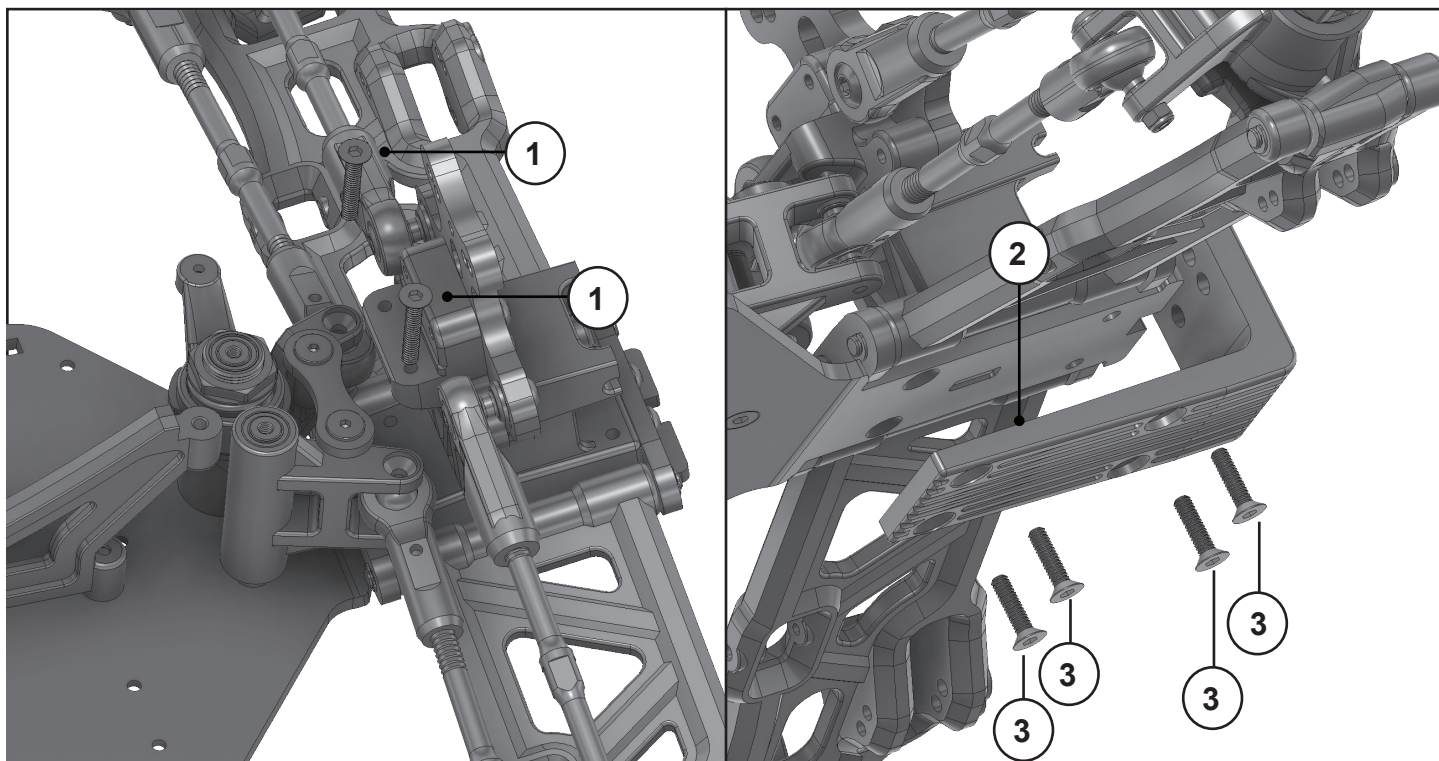


BAG-1

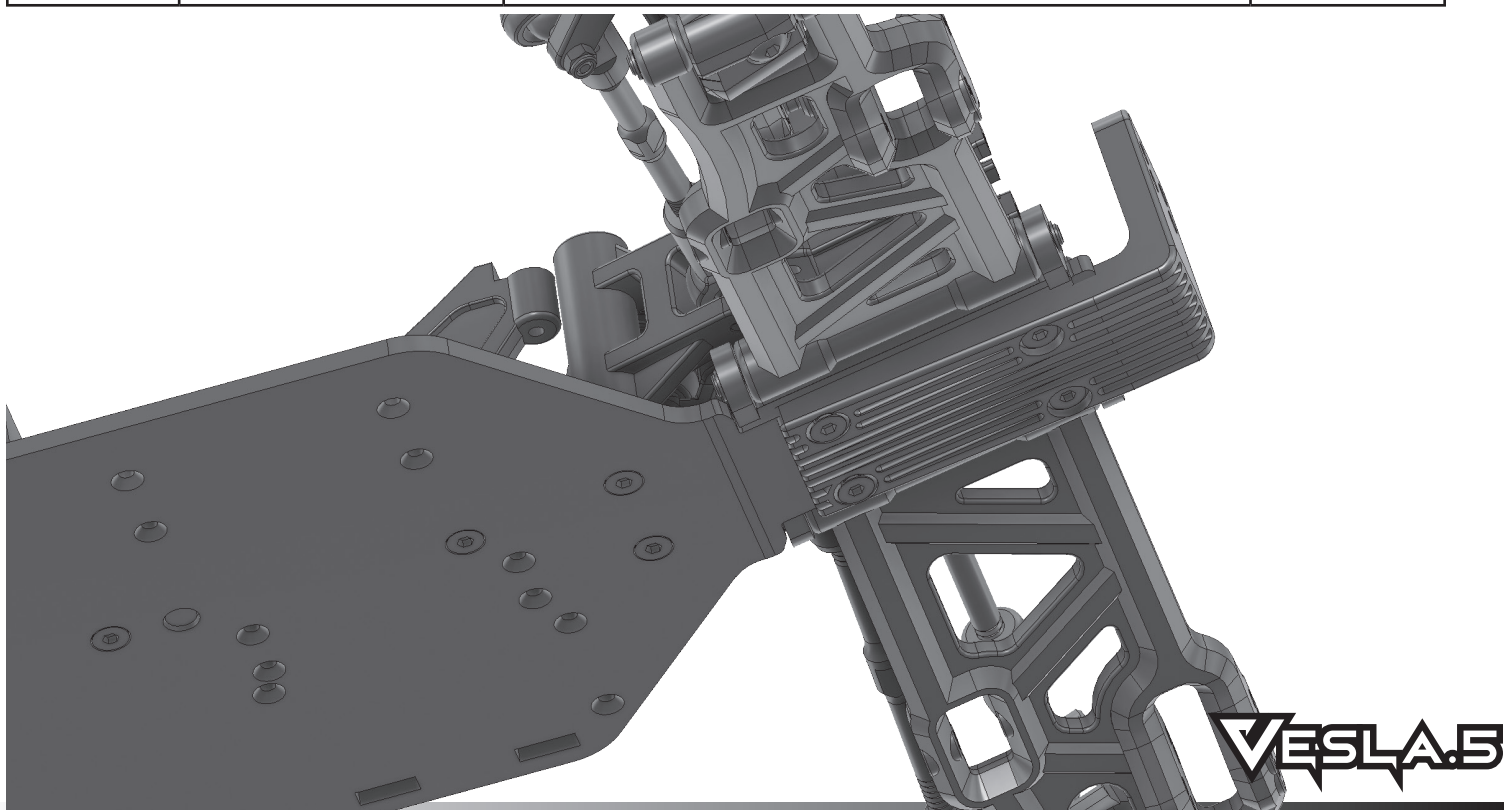


ASSEMBLY	ITEM NUMBER	NAME	QUANTITY
1	KV3365	FH5x12mm	2

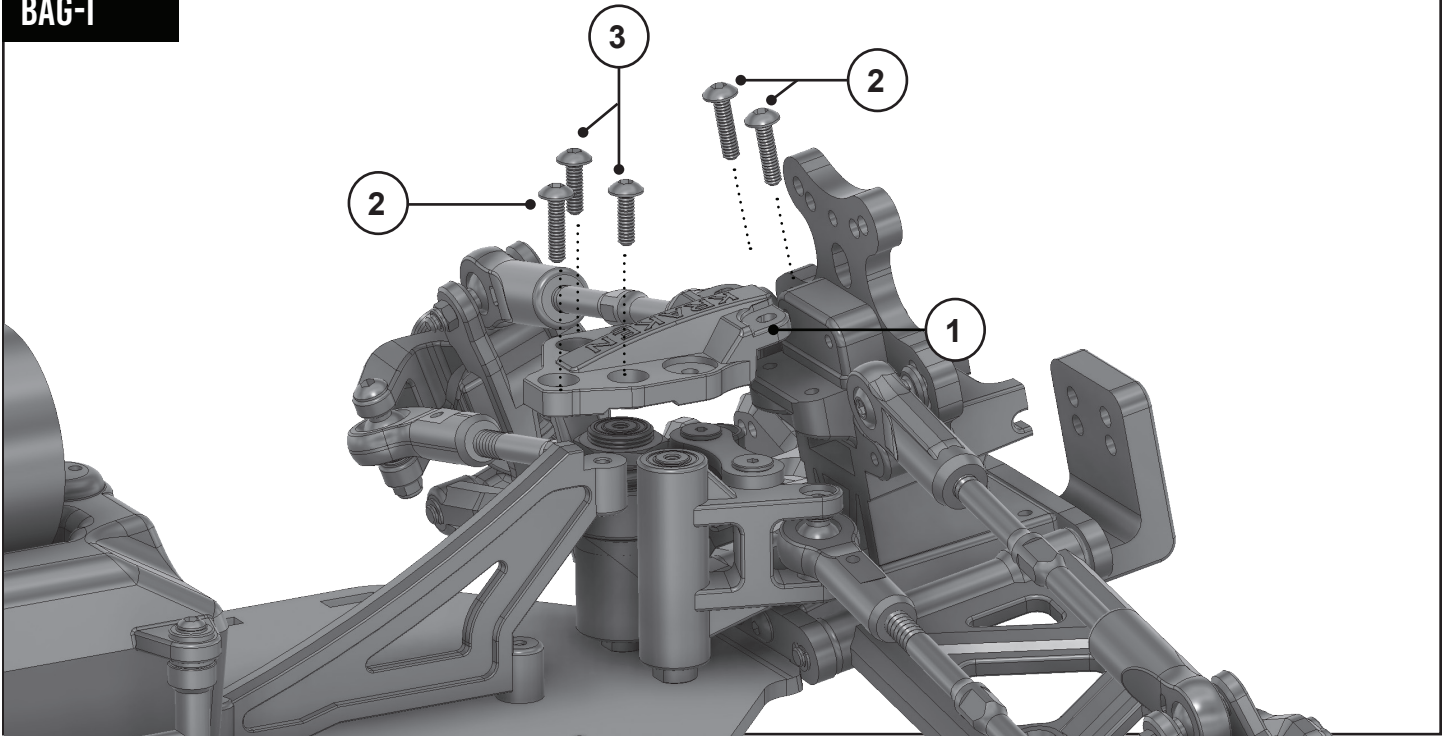




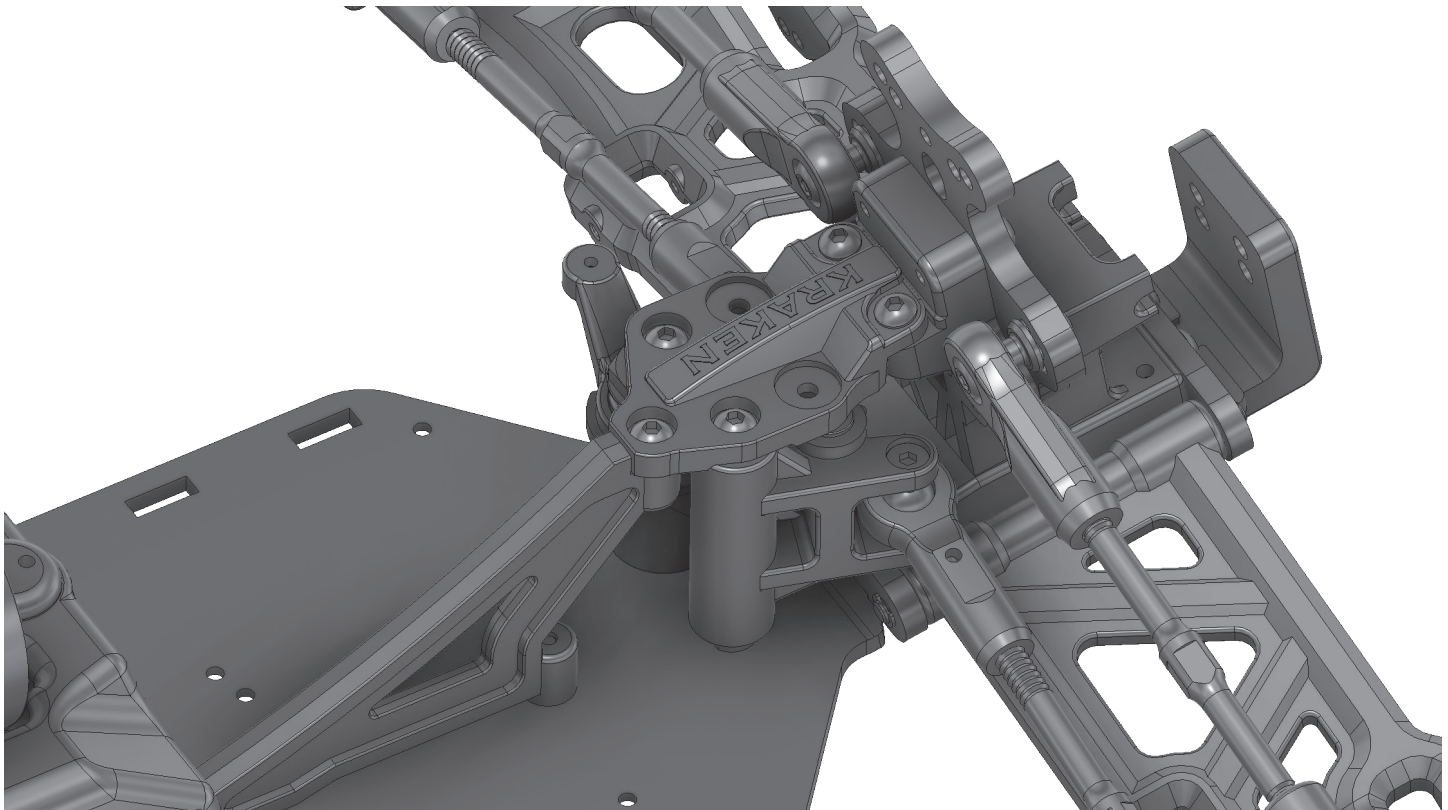
ASSEMBLY	ITEM NUMBER	NAME	QUANTITY
1	KV3369	FH5x30mm	2
2	KV3642	Front Skid Plate	1
3	KV3368	FH5x25mm	4



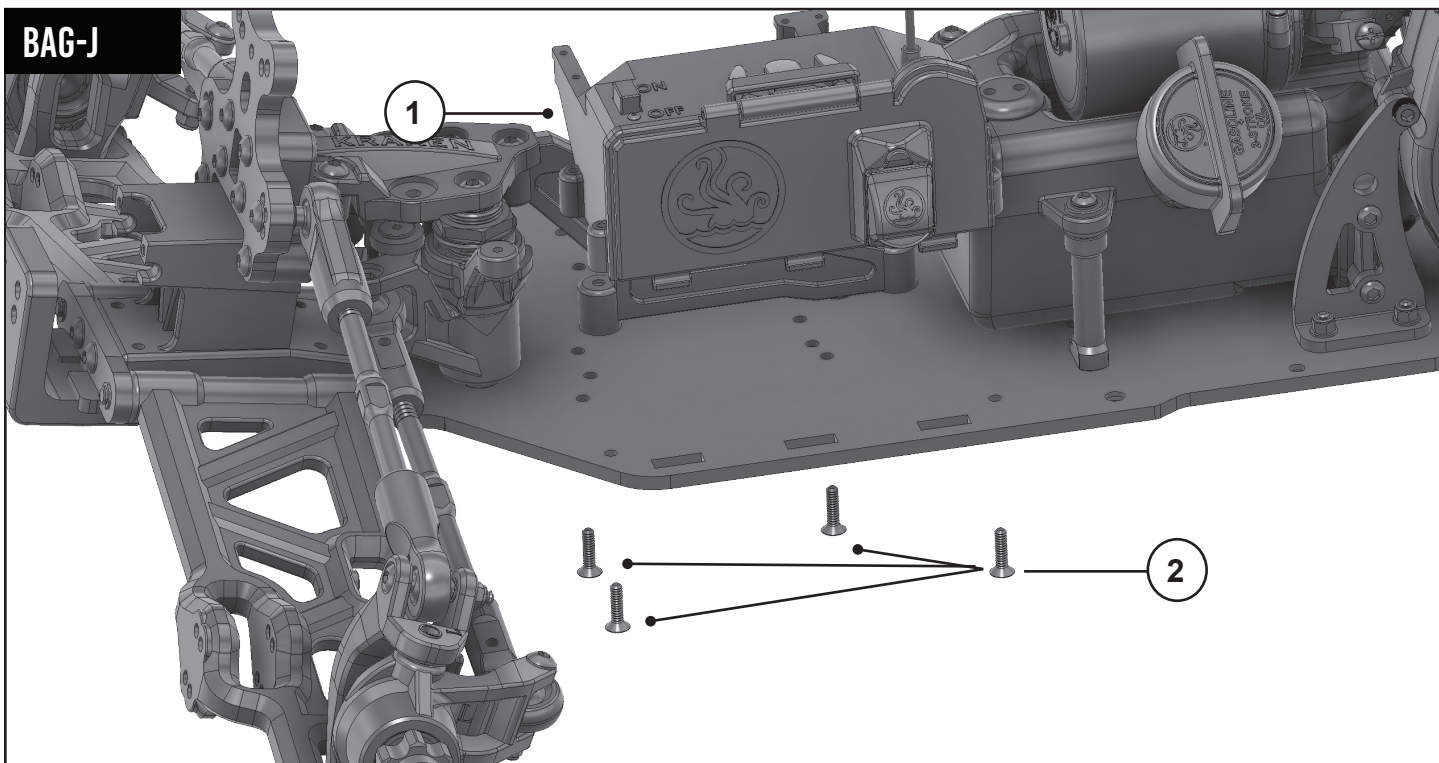
BAG-1



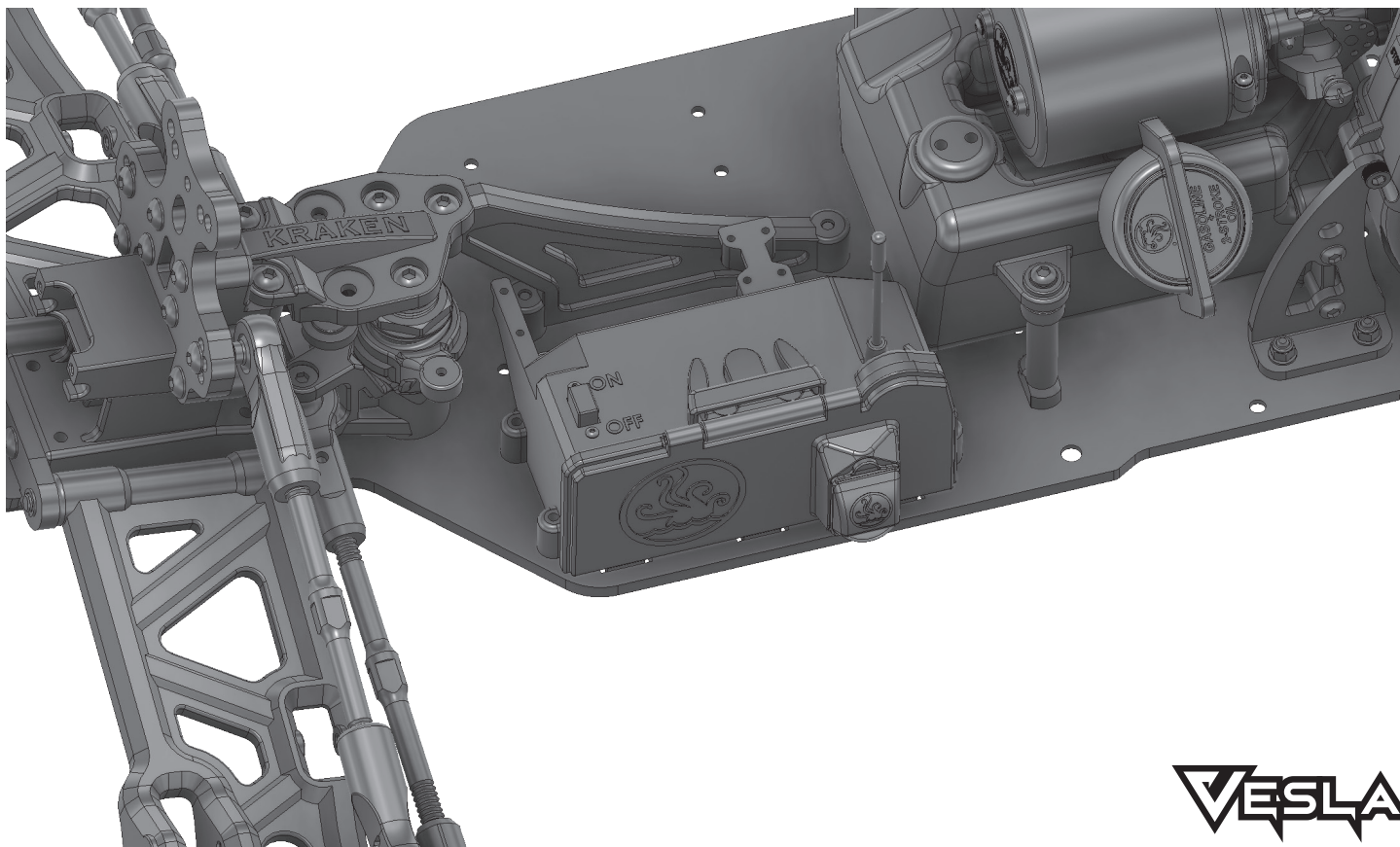
ASSEMBLY	ITEM NUMBER	NAME	QUANTITY
1	KVS495	Front Upper Brace	1
2	KV3345	BH5x20mm	3
3	KV3344	BH5x16mm	2



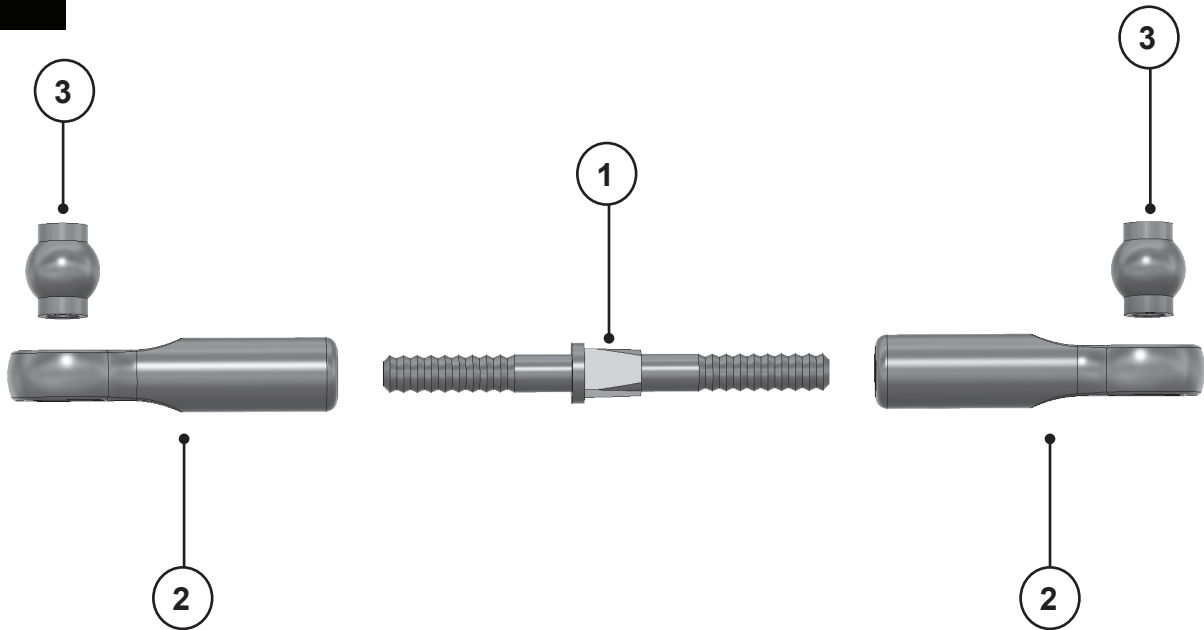
BAG-J



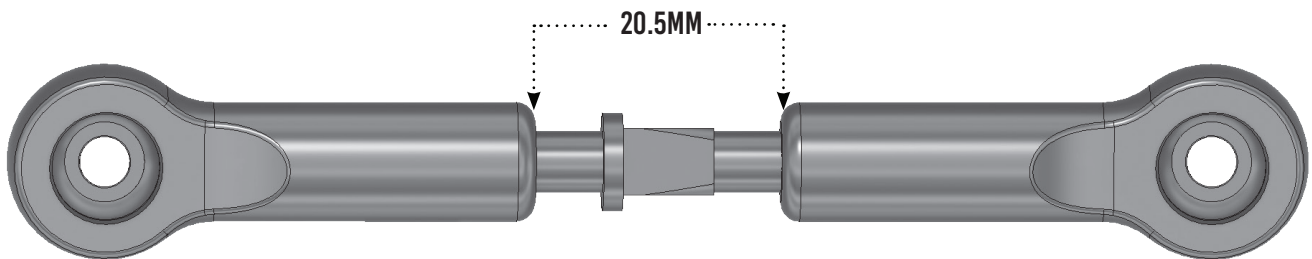
ASSEMBLY	ITEM NUMBER	NAME	QUANTITY
1	KV8837	Battery Box	1
2	KV3364	FH4x16mm	4

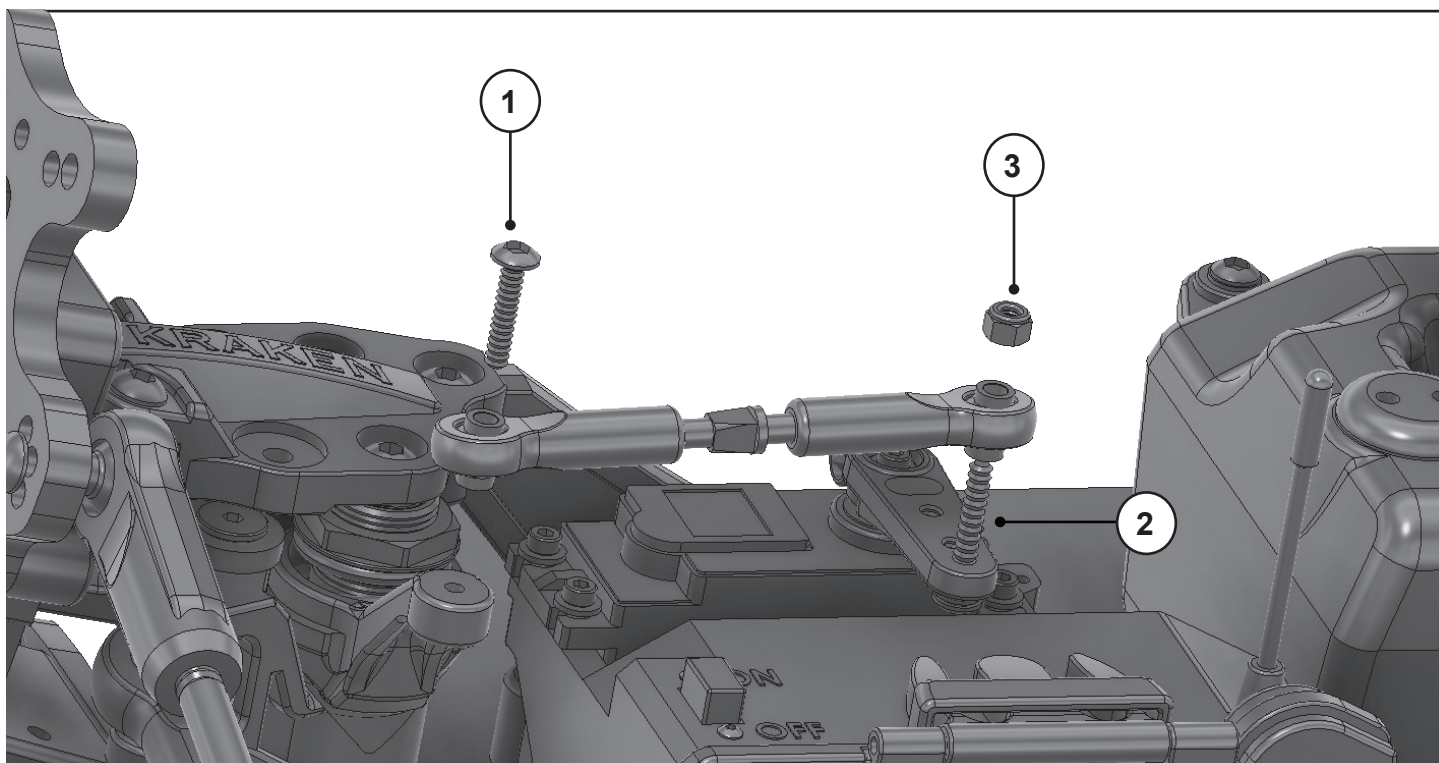


BAG-K

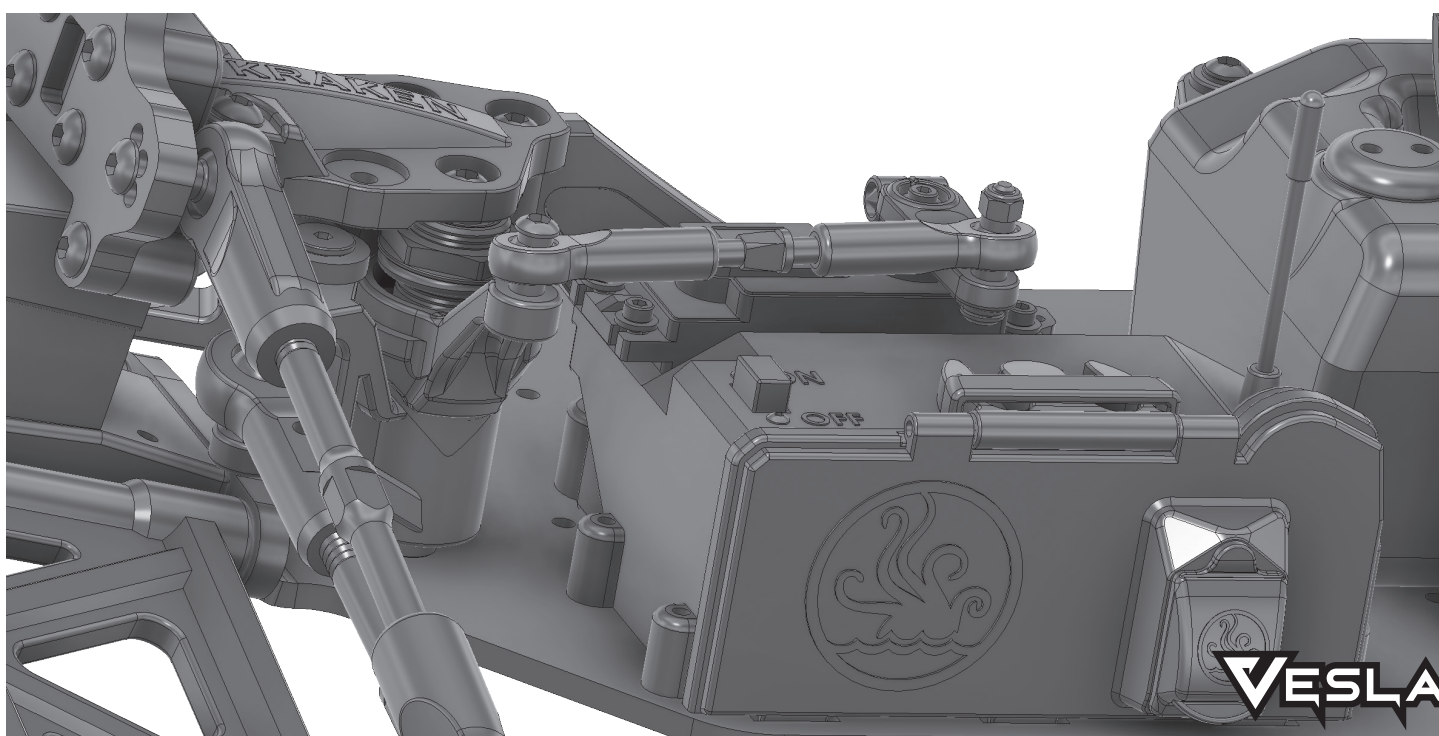


ASSEMBLY	ITEM NUMBER	NAME	QUANTITY
1	KV5587	Turnbuckle M5x58mm	1
2	KV8819	Ball End 9.8x35x5mm	2
3	KV5588	B9.8x12x4mm	2

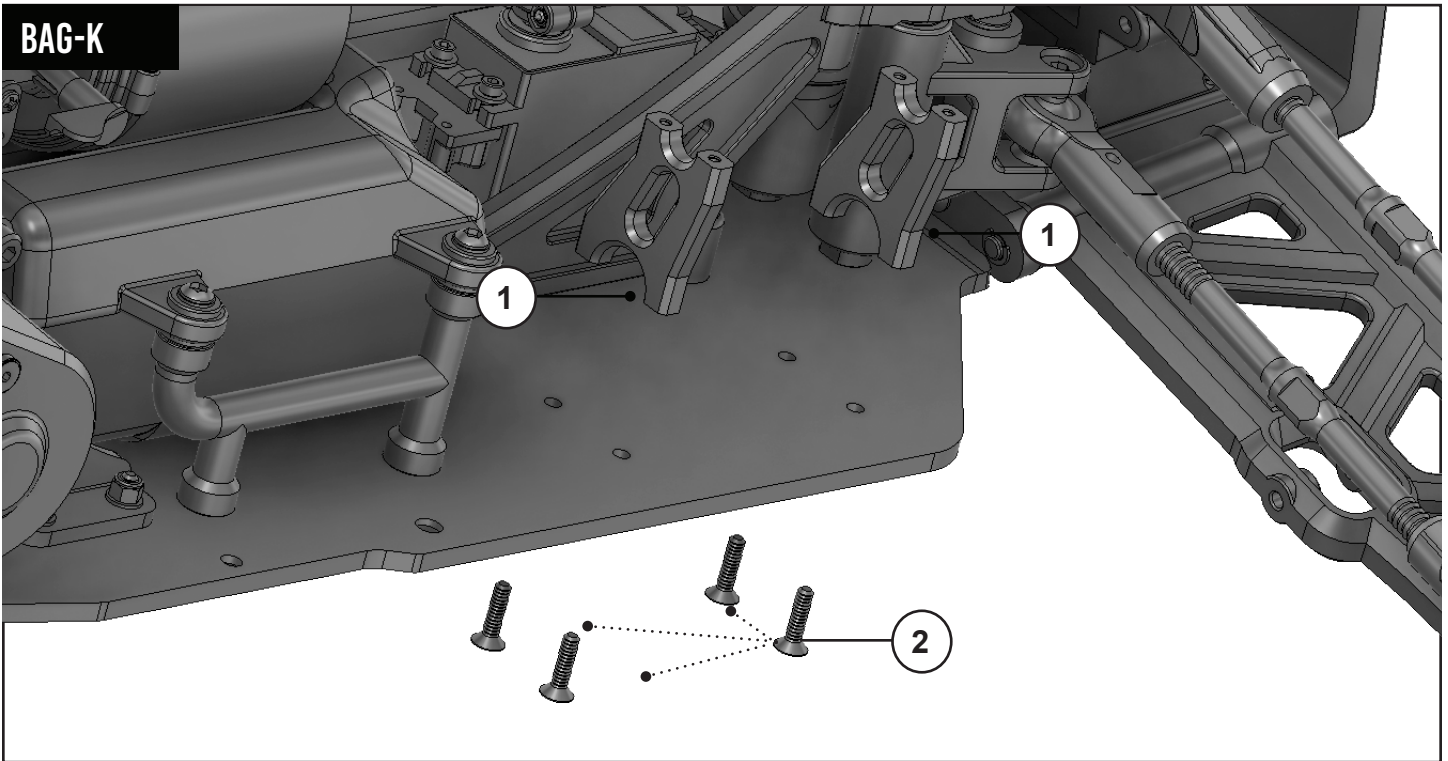




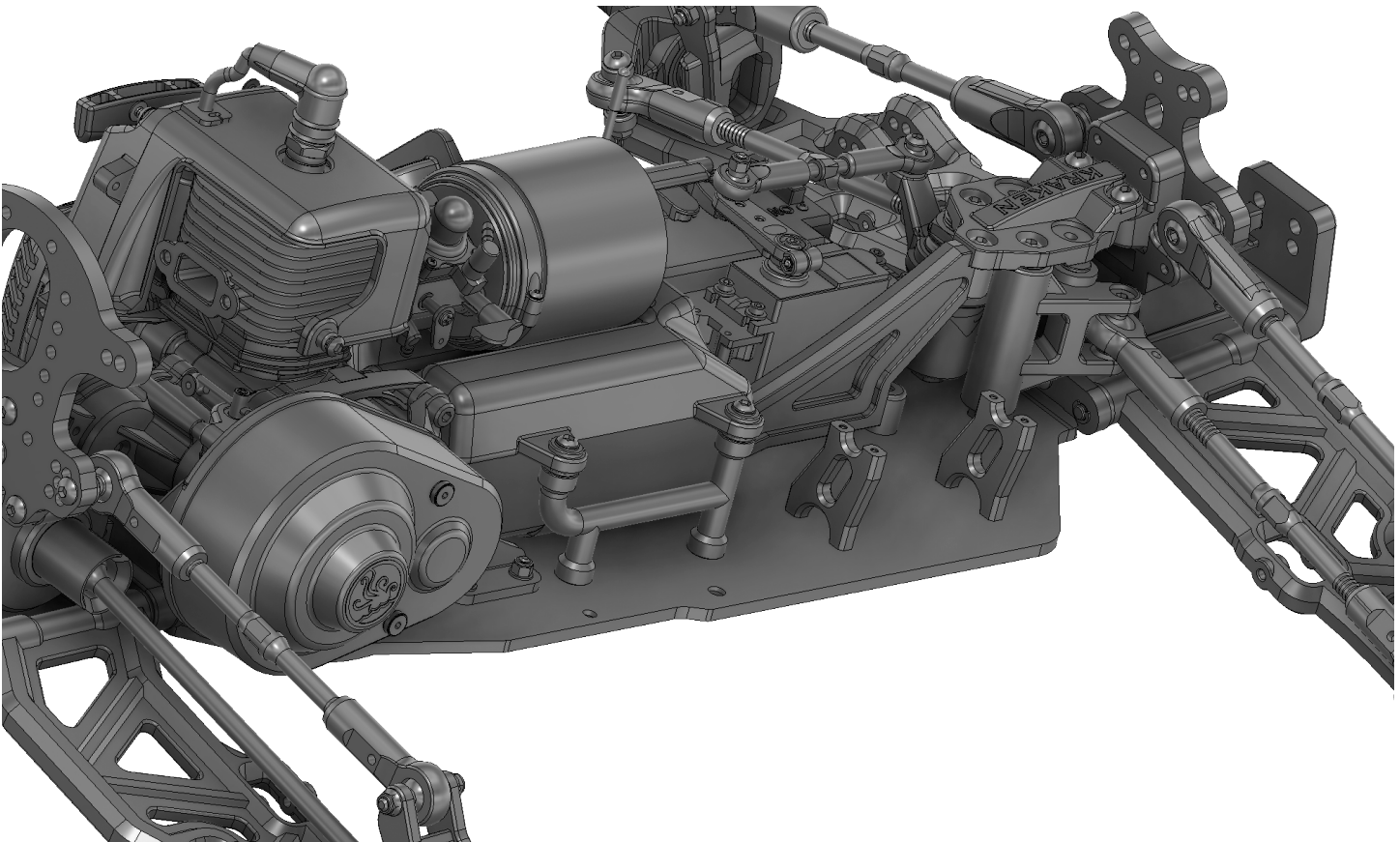
ASSEMBLY	ITEM NUMBER	NAME	QUANTITY
1	KV3341	BH4x20mm	1
2	KV3360	BH4x25mm	1
3	KV3332	Lock Nut M4	1

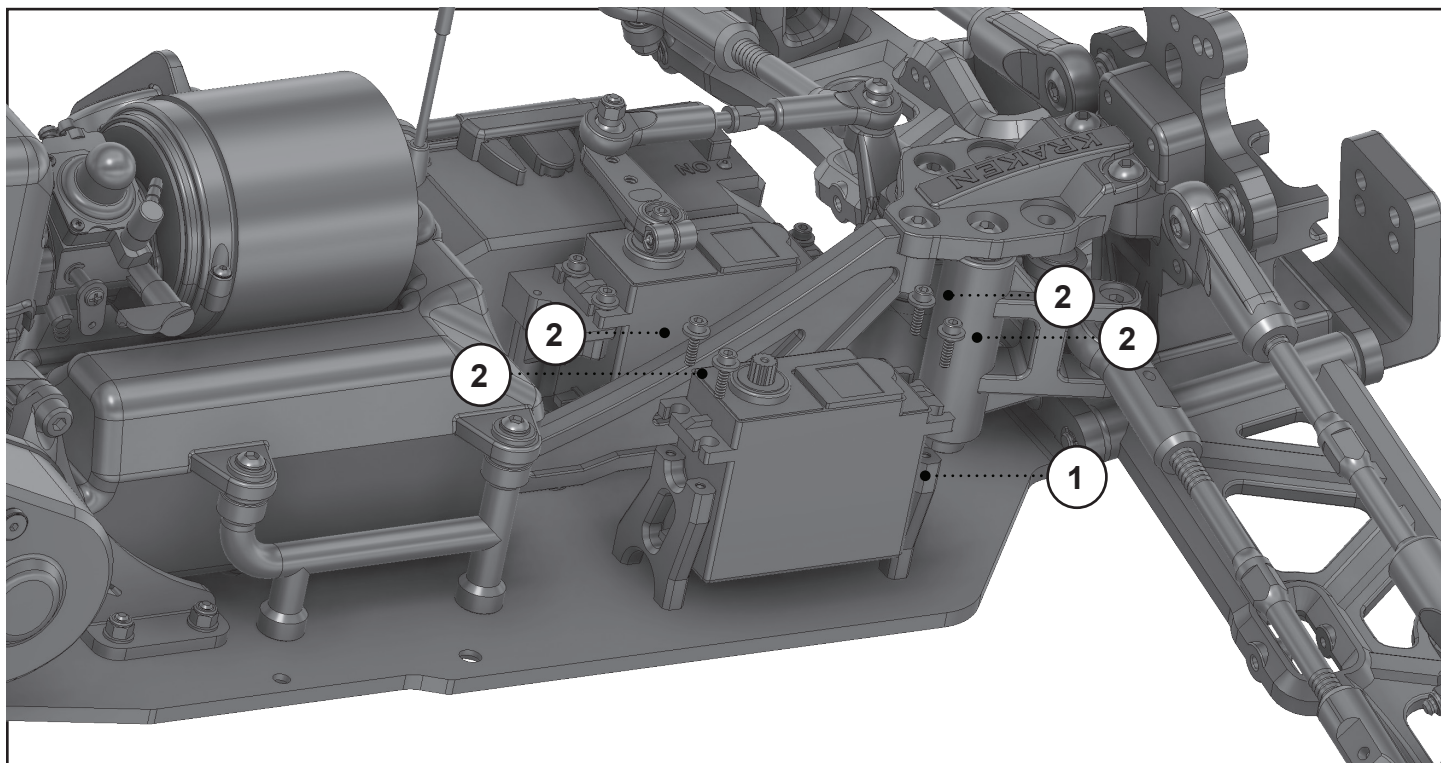


BAG-K

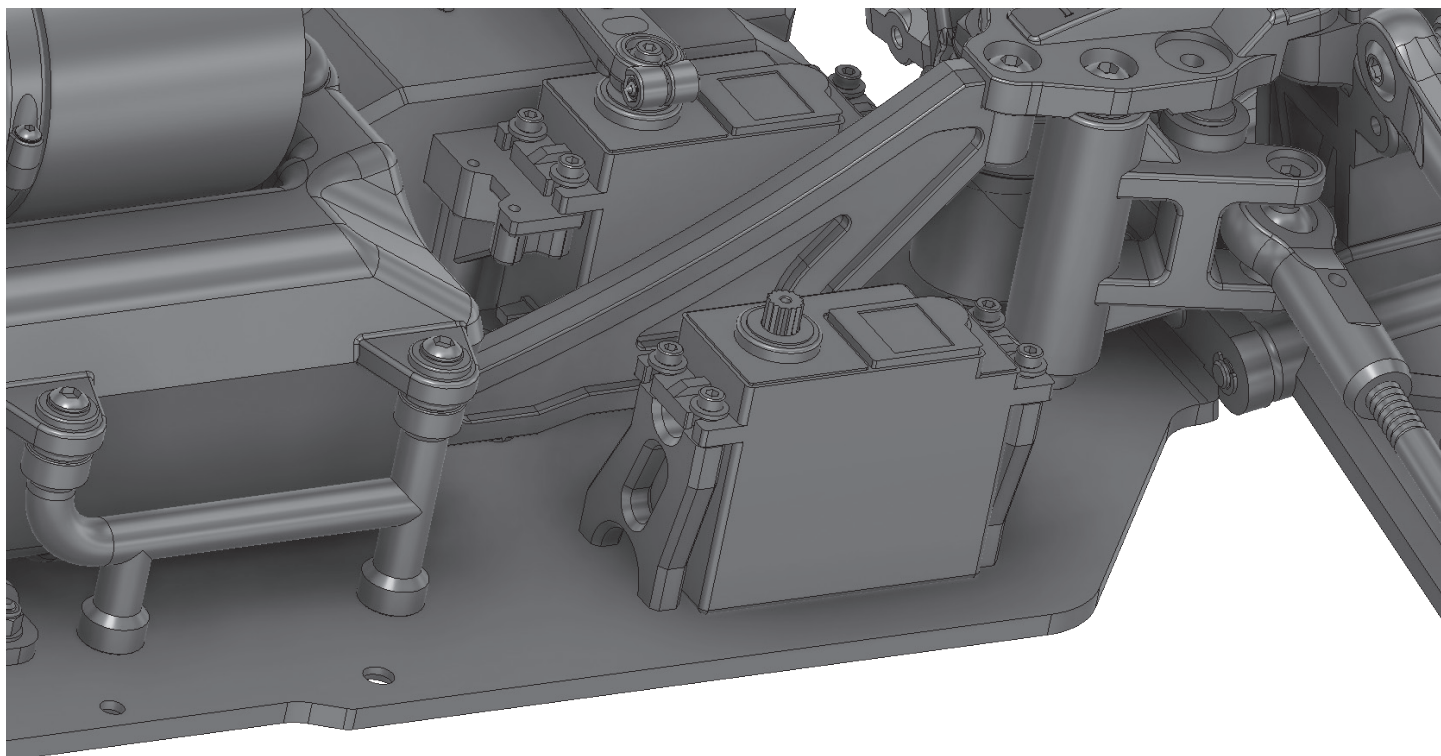


ASSEMBLY	ITEM NUMBER	NAME	QUANTITY
1	KV8833	Servo Bracket	2
2	KV3364	FH4x16mm	4

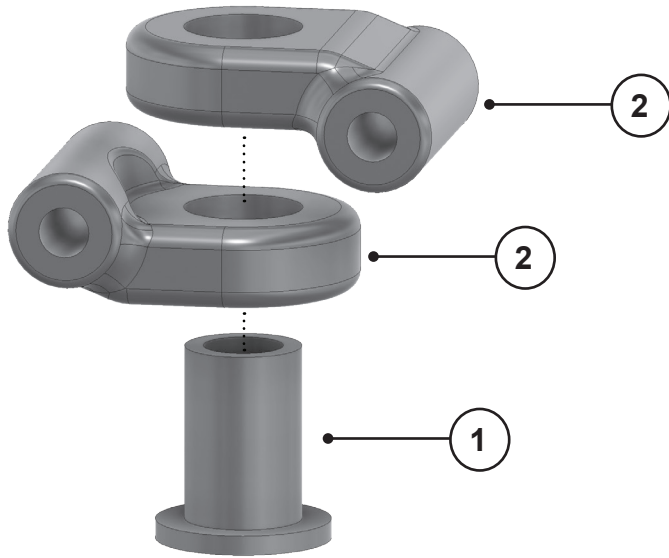




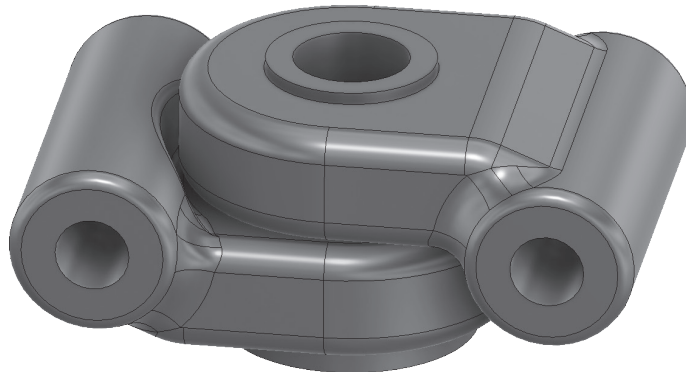
ASSEMBLY	ITEM NUMBER	NAME	QUANTITY
1		Servo (Not included)	1
2		Install the hardware supplied with your servo	4

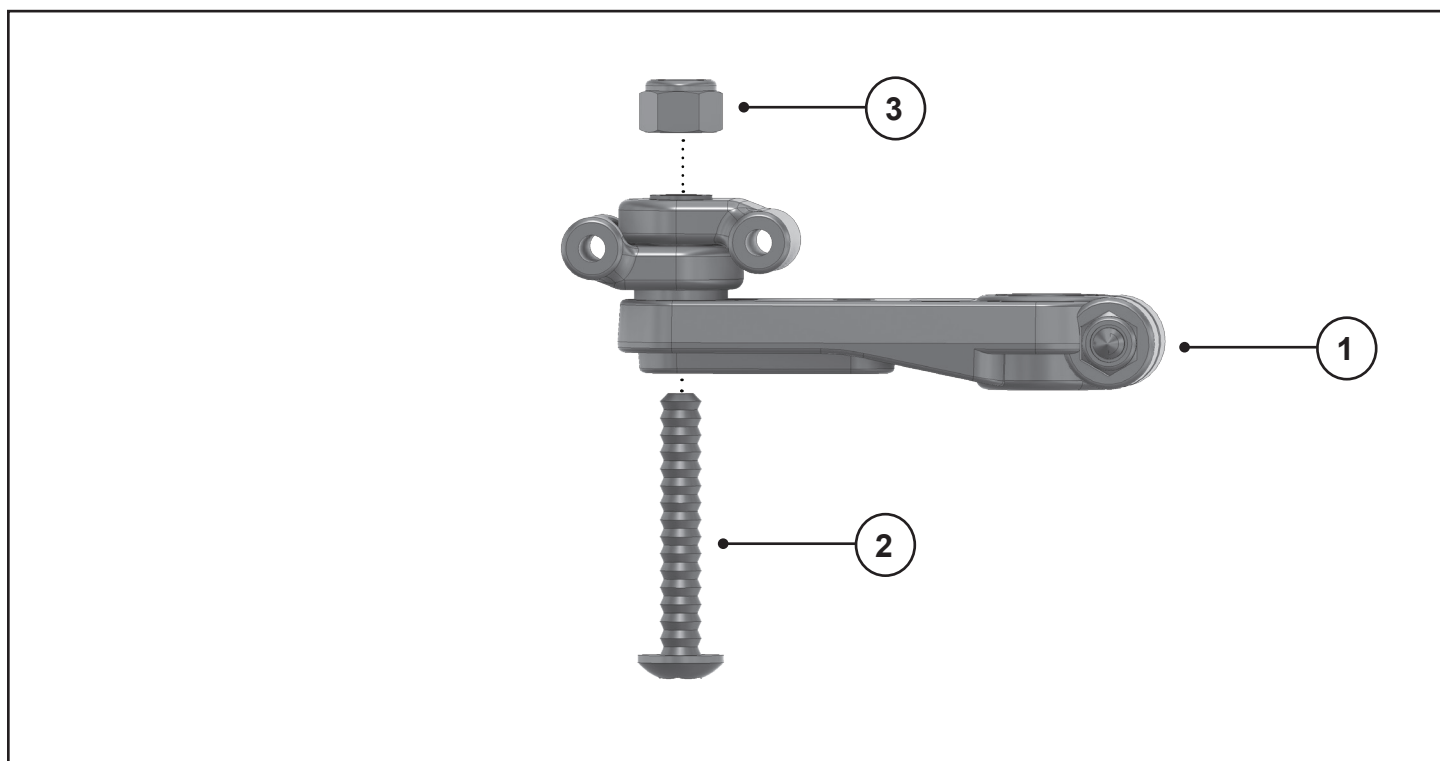


BAG-L

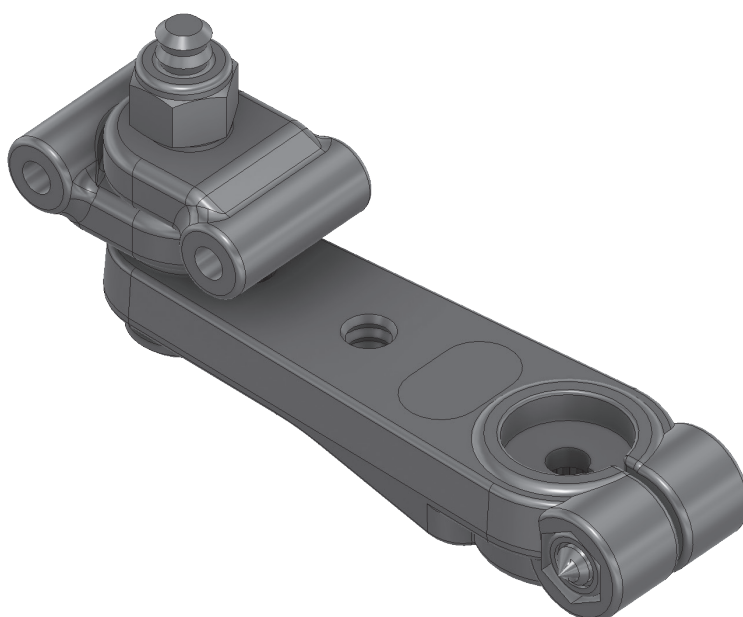


ASSEMBLY	ITEM NUMBER	NAME	QUANTITY
1	KVS470	Bushing 6x9x1x10mm	1
2	KVS490	Pivot Throttle Brake	2

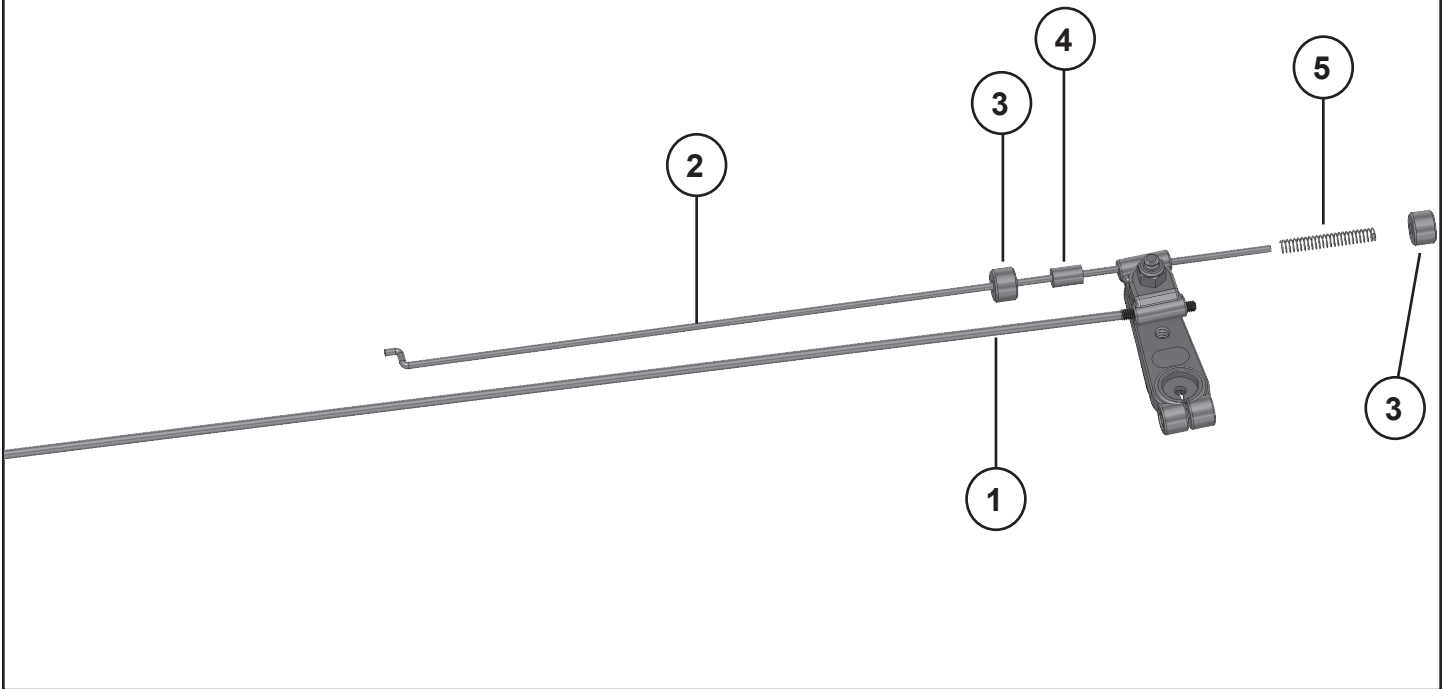




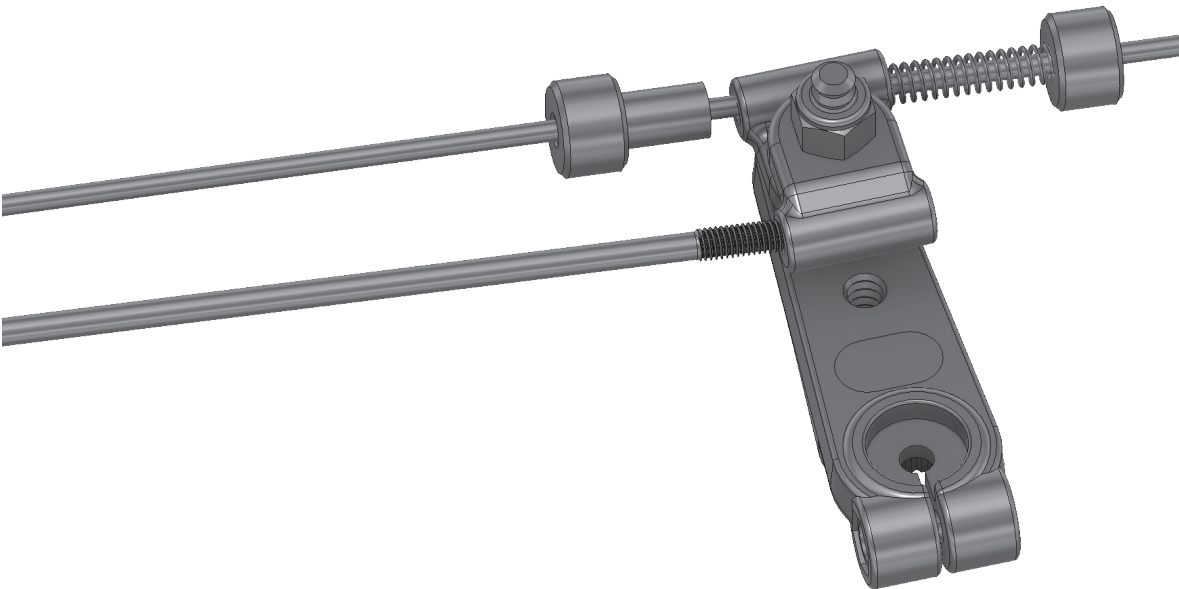
ASSEMBLY	ITEM NUMBER	NAME	QUANTITY
1	NONE	Servo Horn (Not Included)	1
2	KV3360	BH4x25mm	1
3	KV3332	Lock Nut M4	1

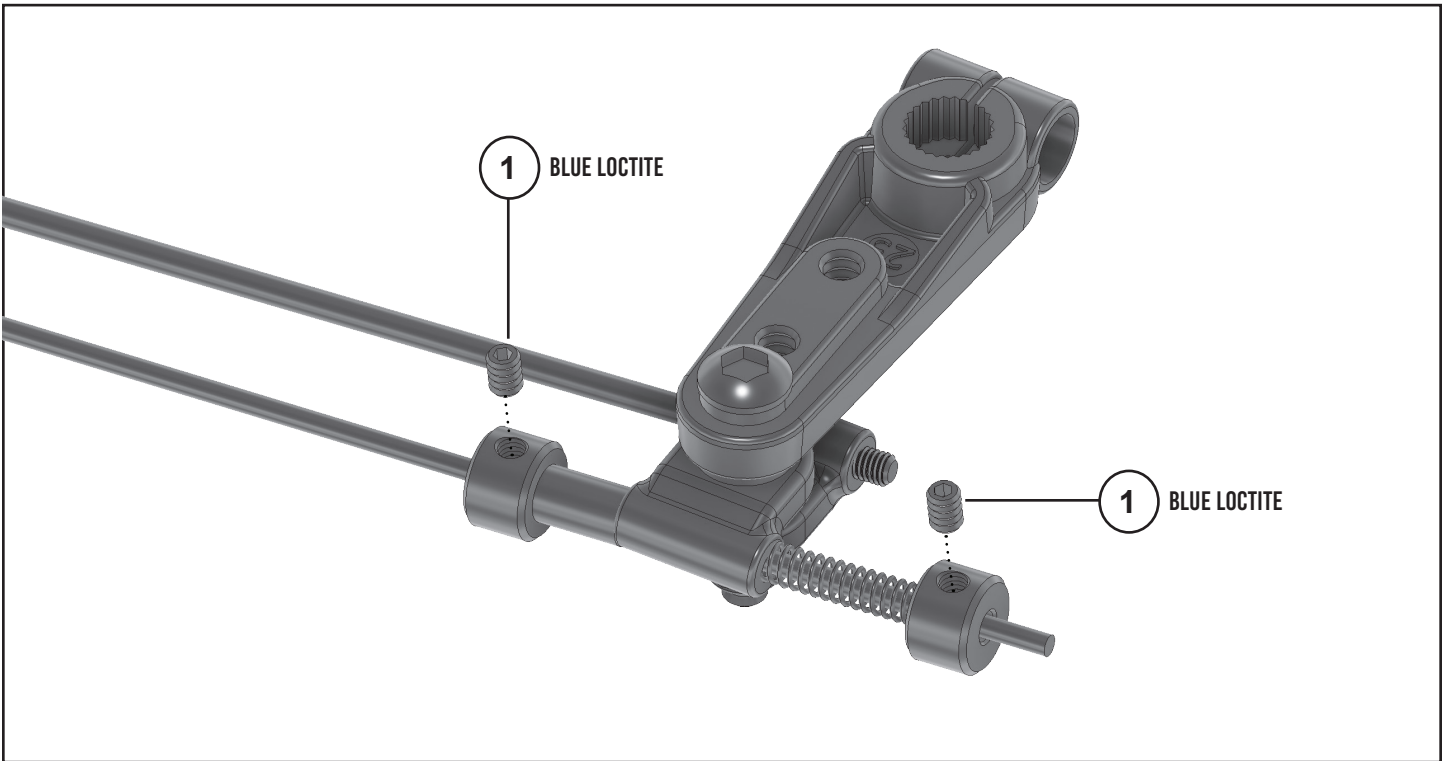


BAG-L

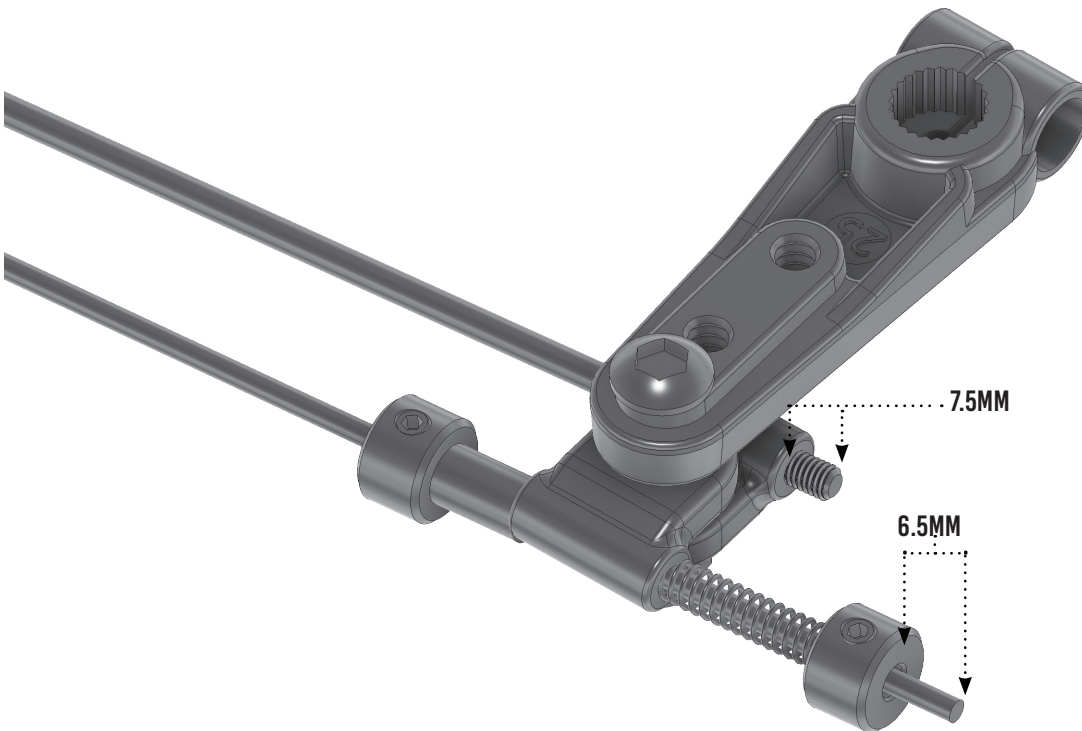


ASSEMBLY	ITEM NUMBER	NAME	QUANTITY
1	KVS533	Brake Rod	1
2	KVS534	Throttle Rod	1
3	KV5574	Rod Stopper	2
4	KV3402	Tube 3x7x5mm	1
5	KV5502	Throttle Spring	1

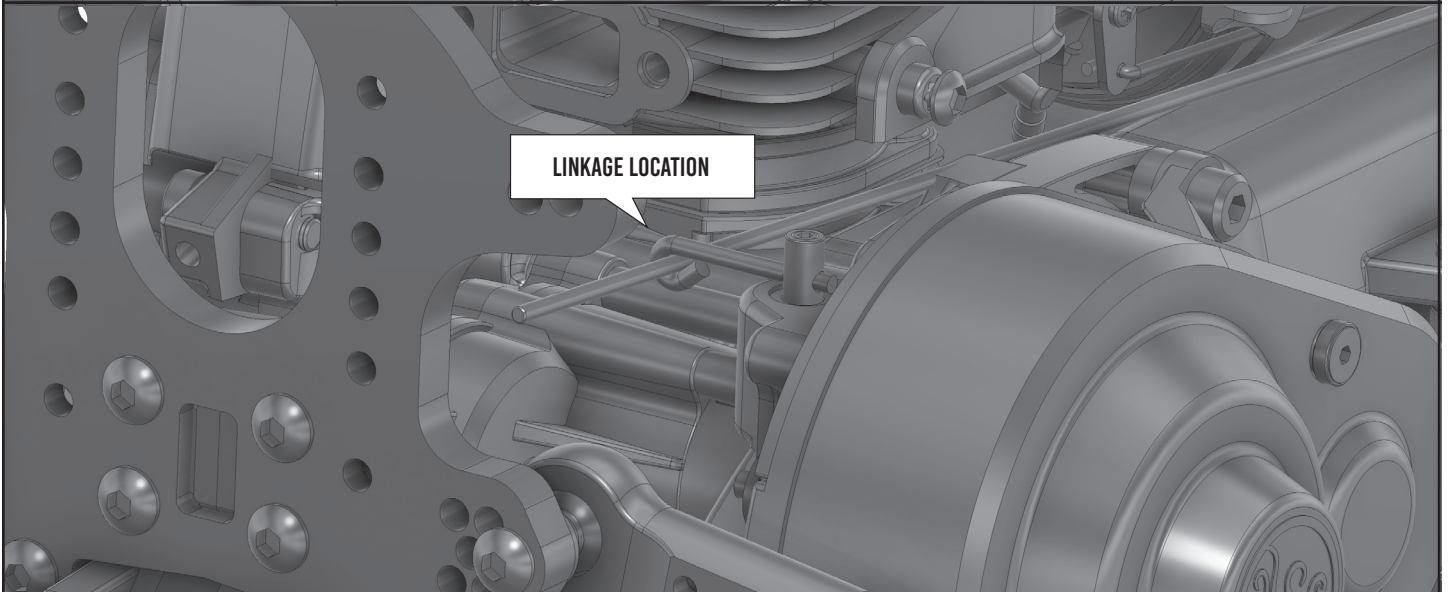
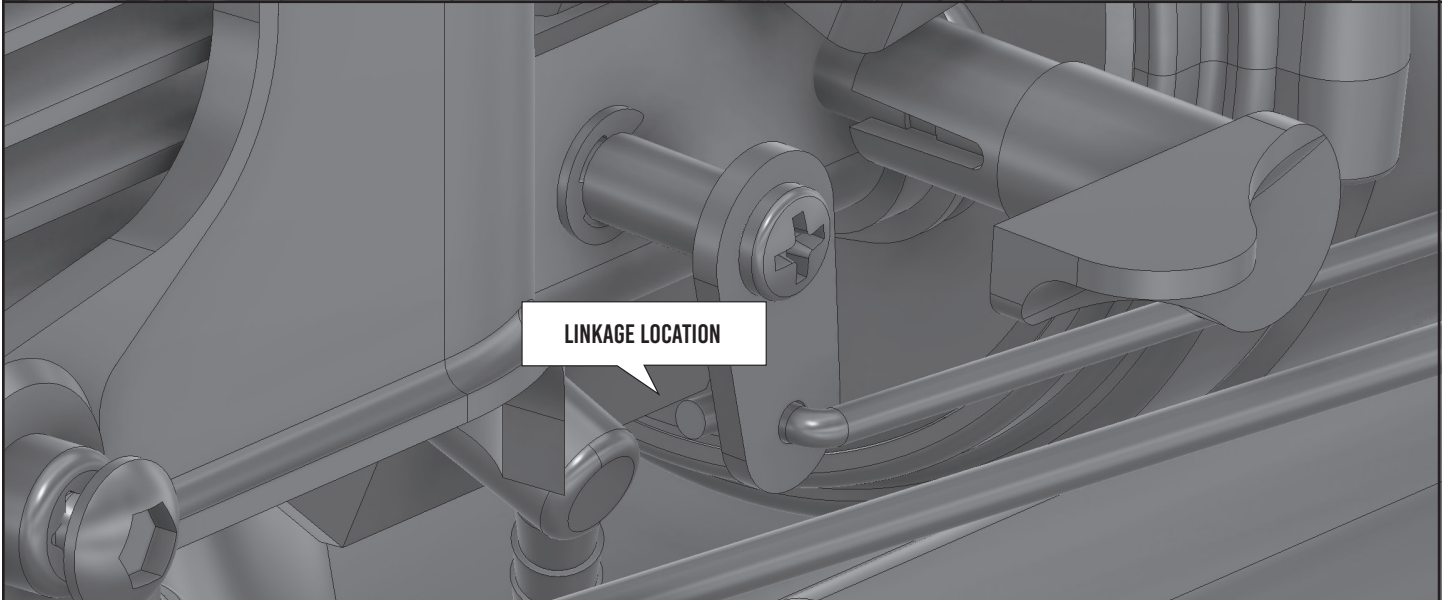
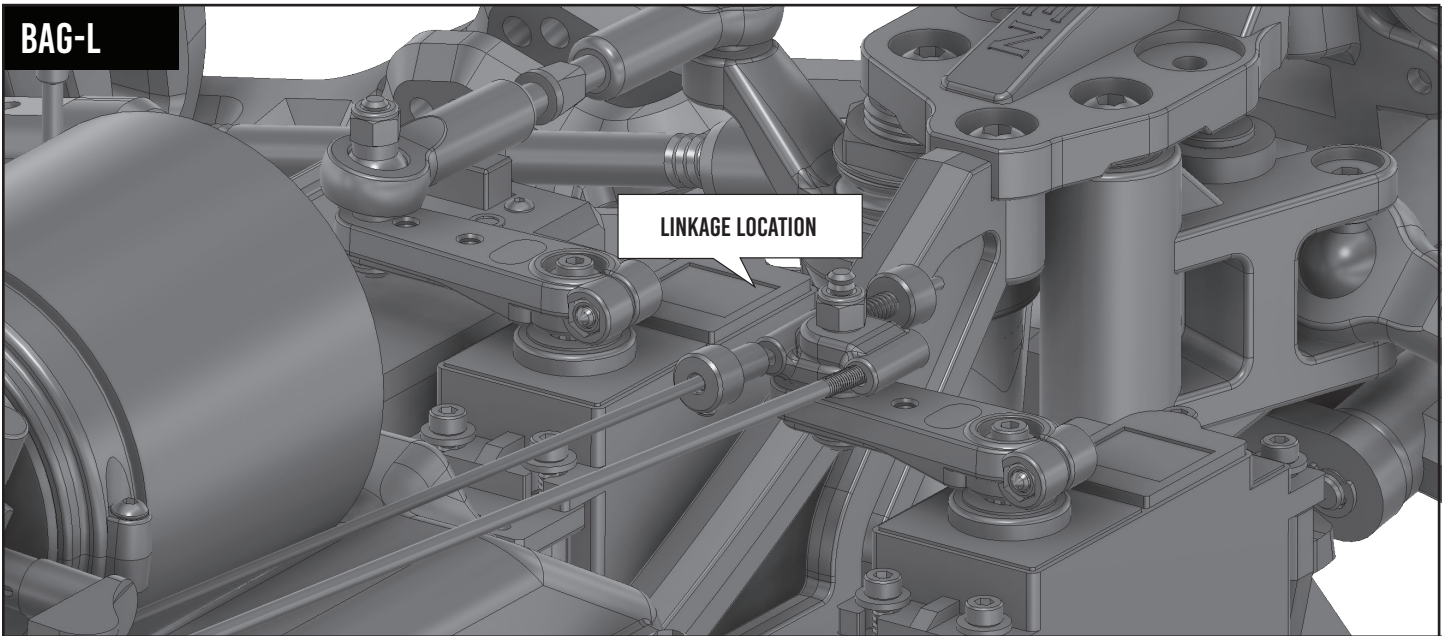


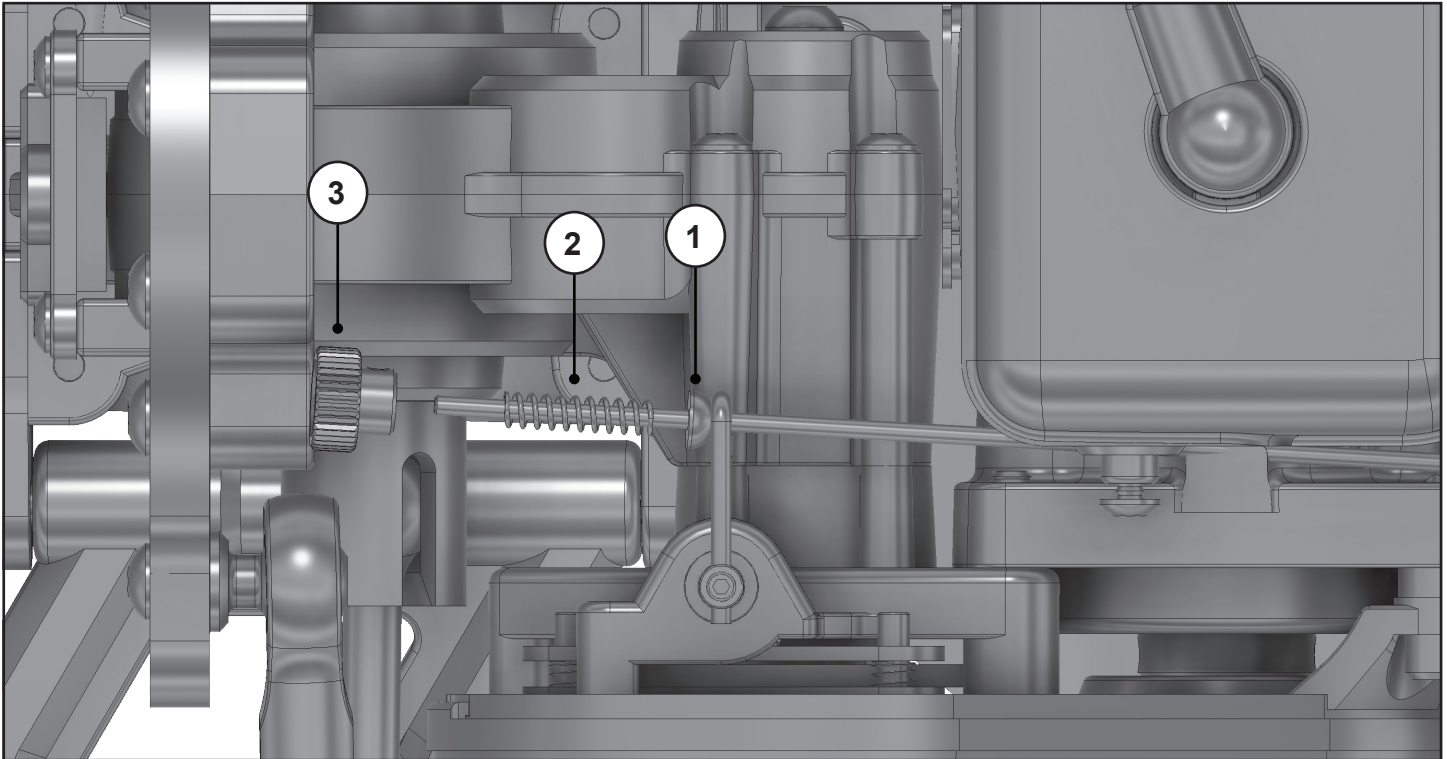


ASSEMBLY	ITEM NUMBER	NAME	QUANTITY
1	KV3373	Set Screw 3x4mm	2

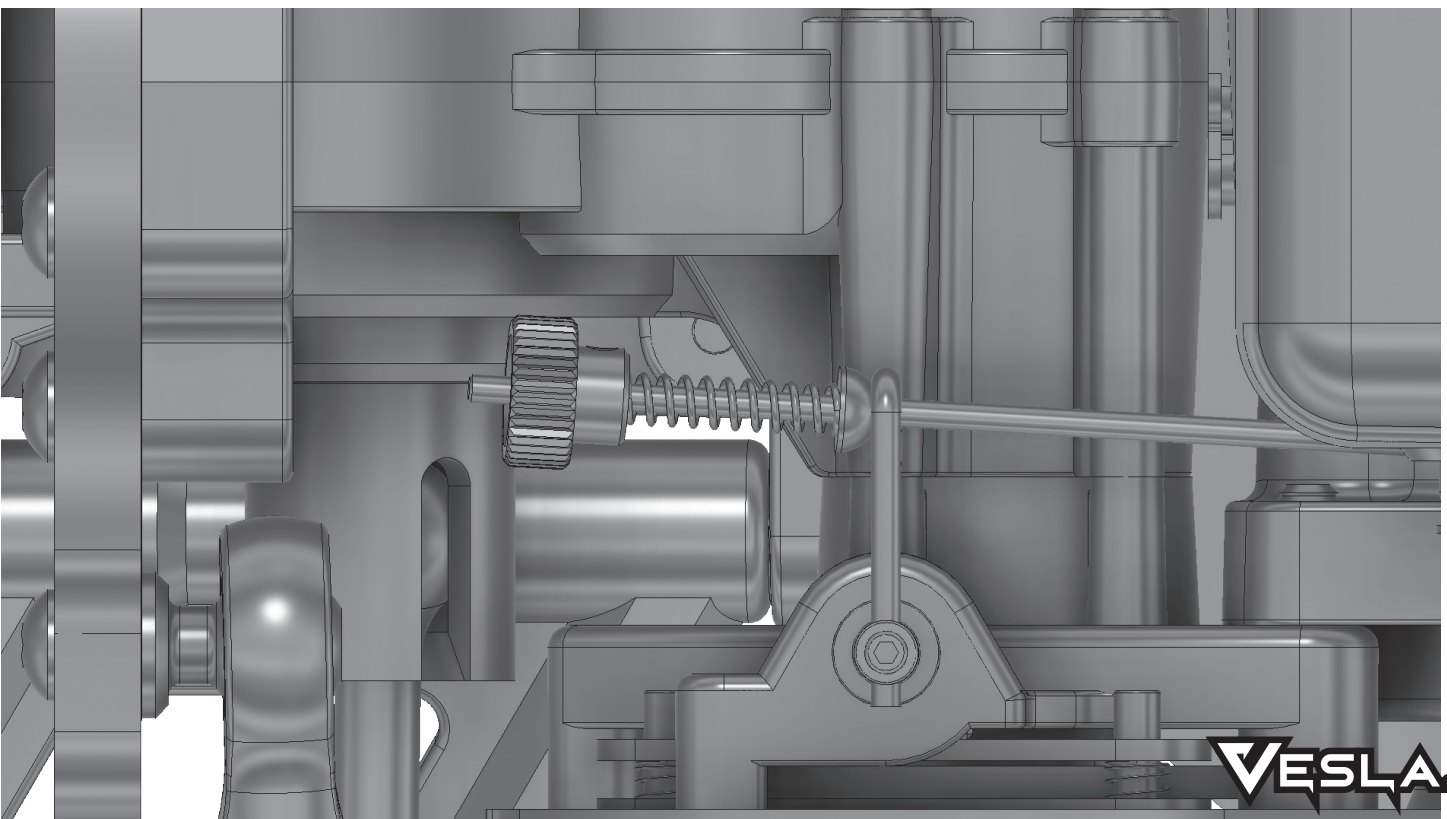


BAG-L

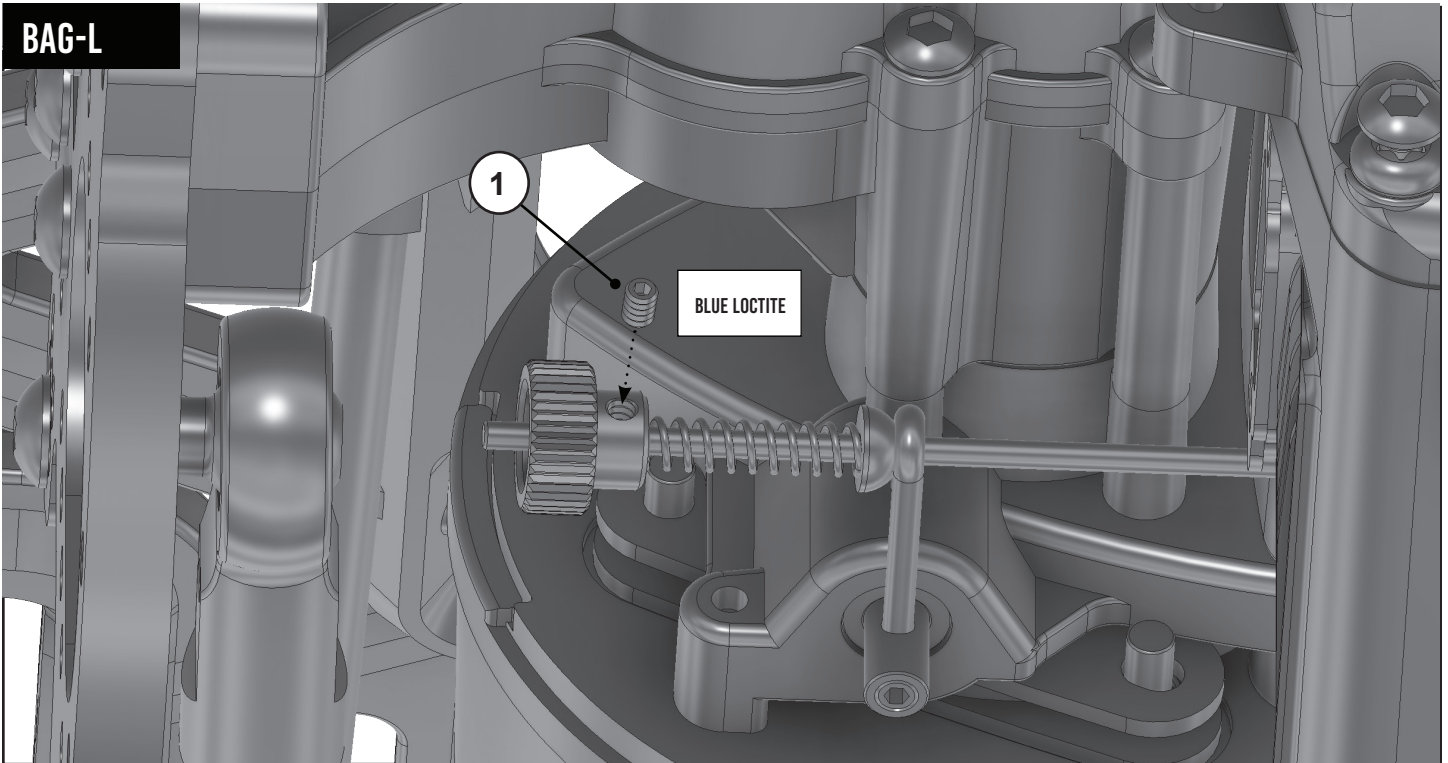




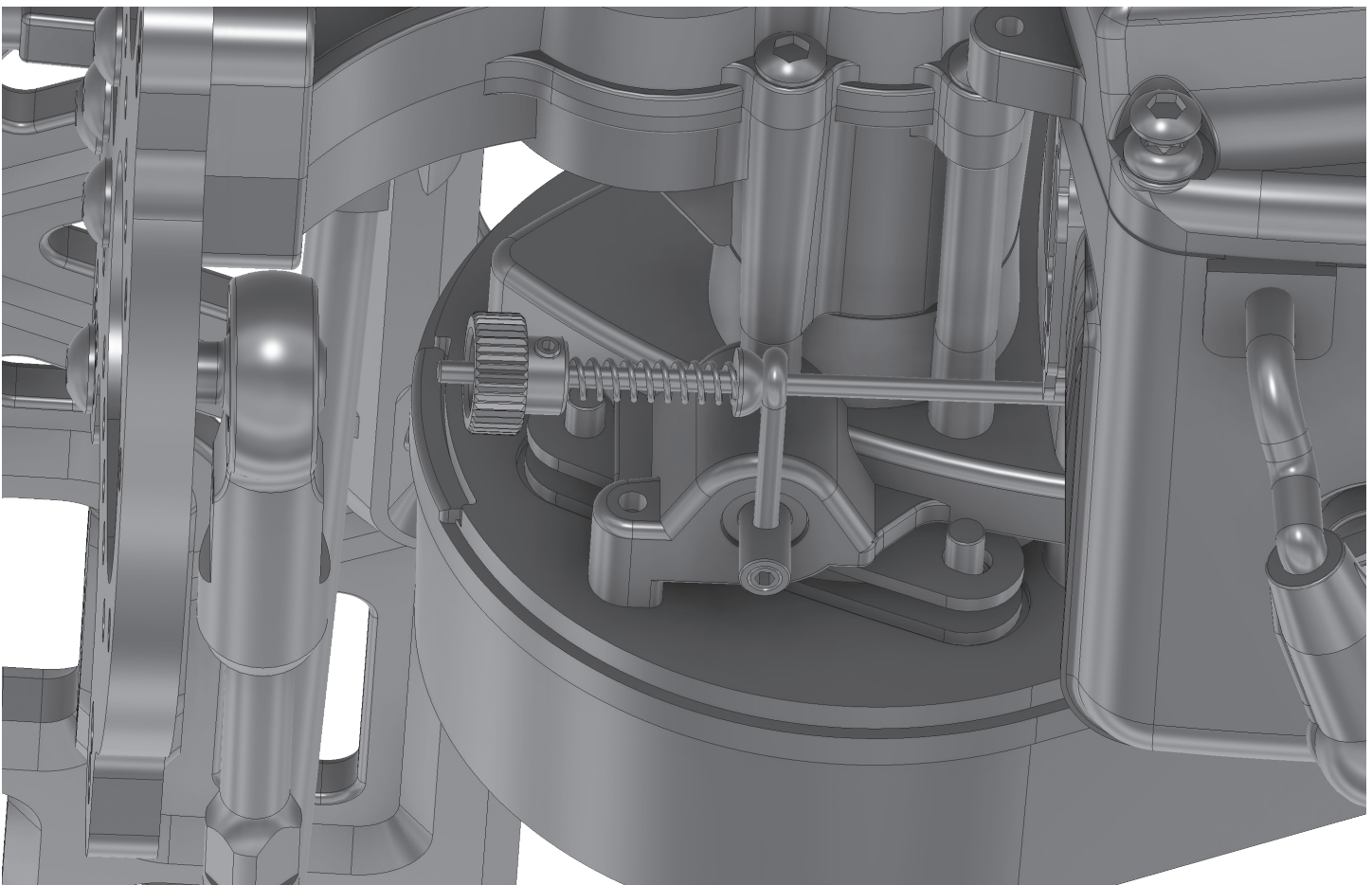
ASSEMBLY	ITEM NUMBER	NAME	QUANTITY
1	KVS489	Brake Pivot Washer	1
2	KV3330	Brake Spring	1
3	KV5573	Rod Collar	1

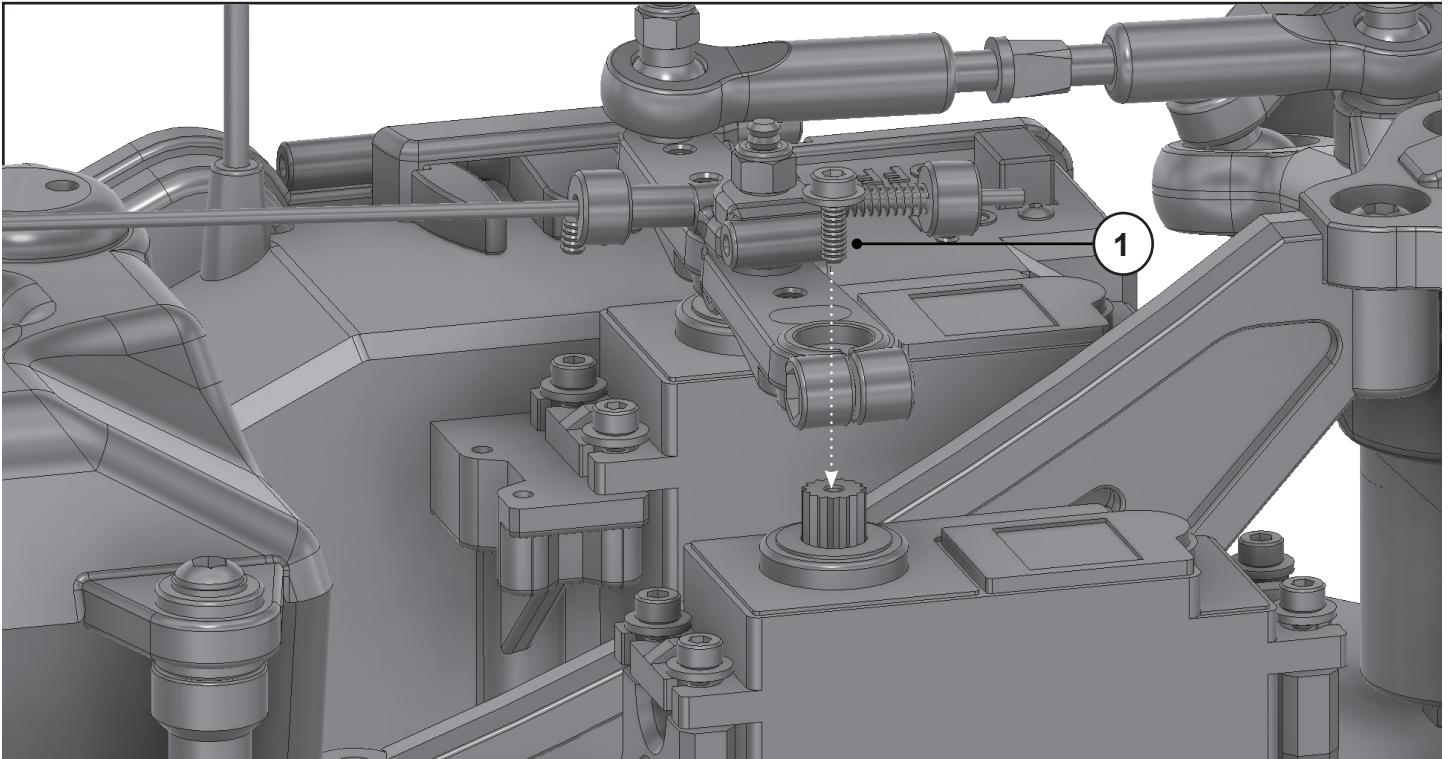


BAG-L

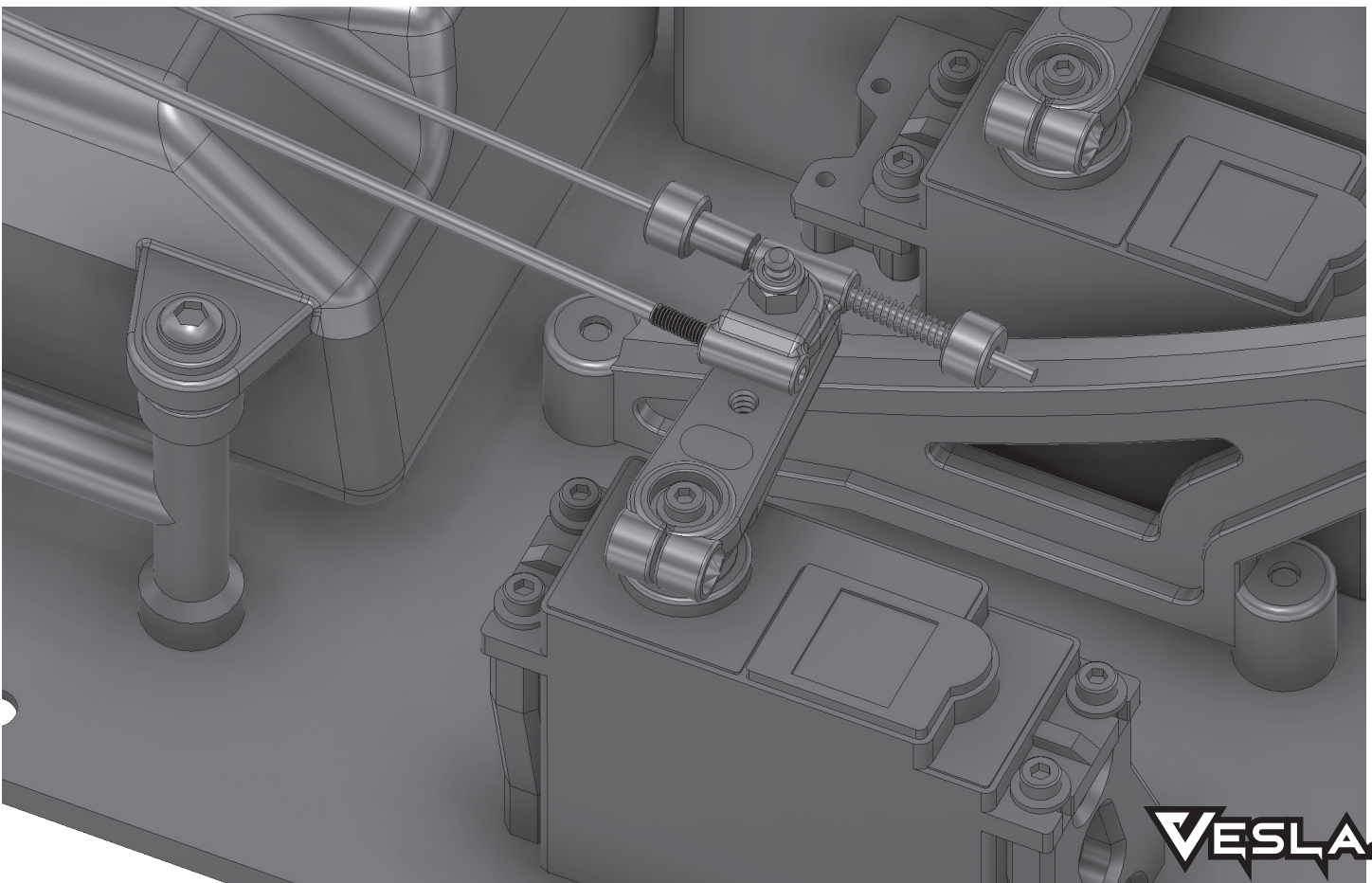


ASSEMBLY	ITEM NUMBER	NAME	QUANTITY
1	KV3373	Set Screw 3x4mm	1

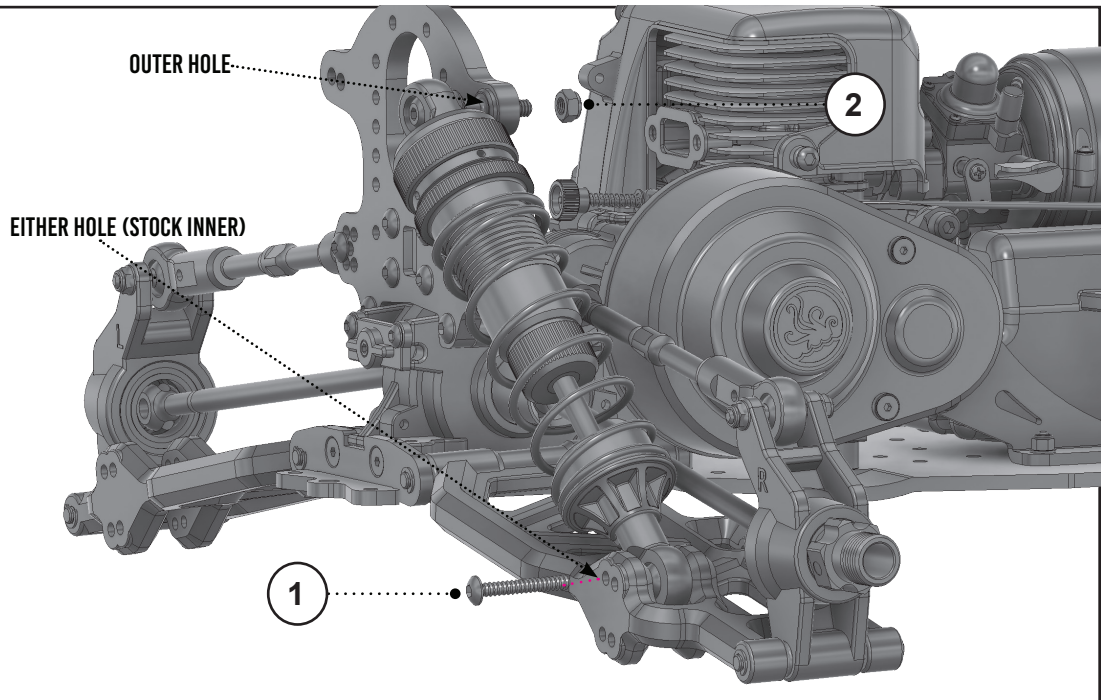




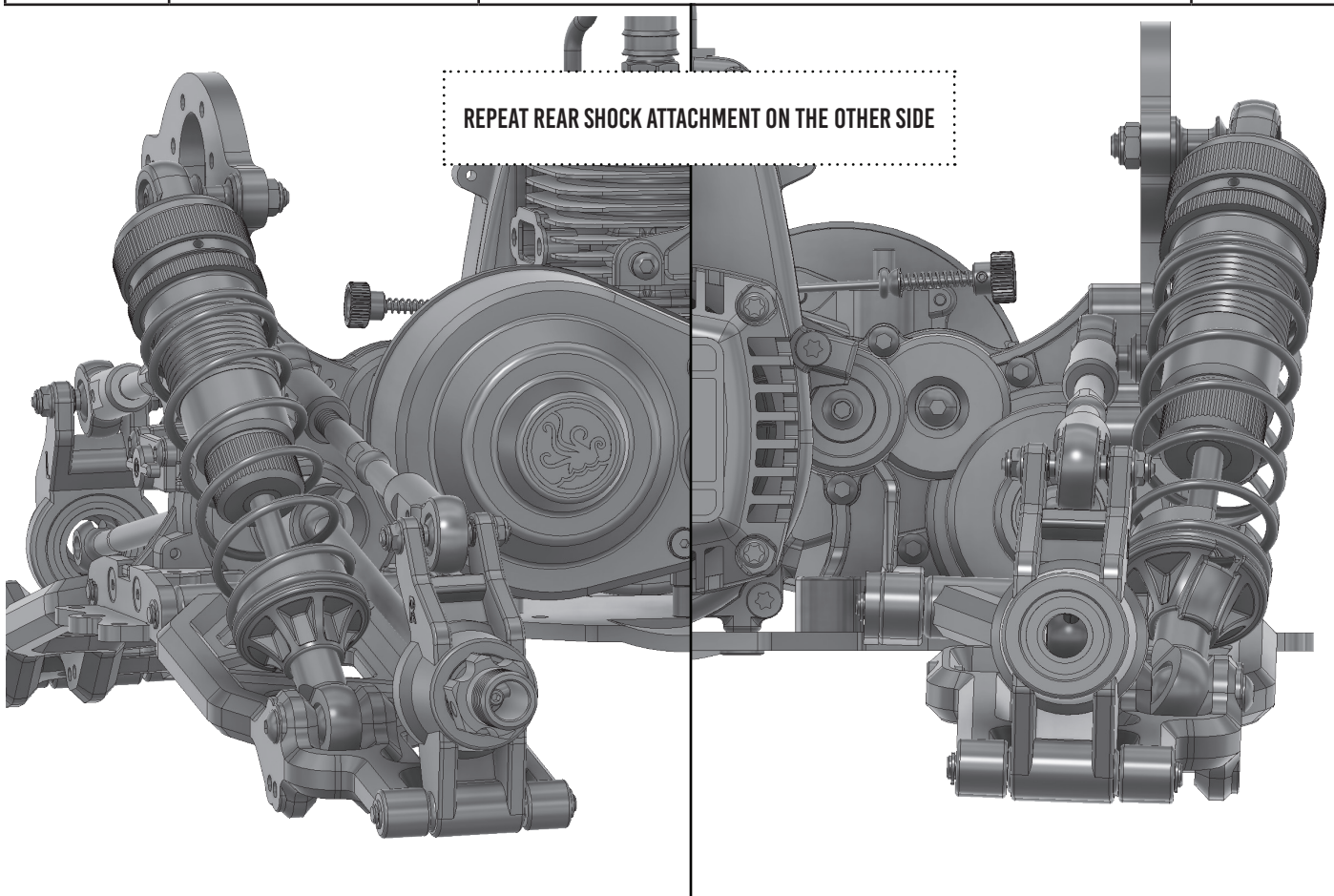
ASSEMBLY	ITEM NUMBER	NAME	QUANTITY
1	NONE	Servo Screw (Not included)	1

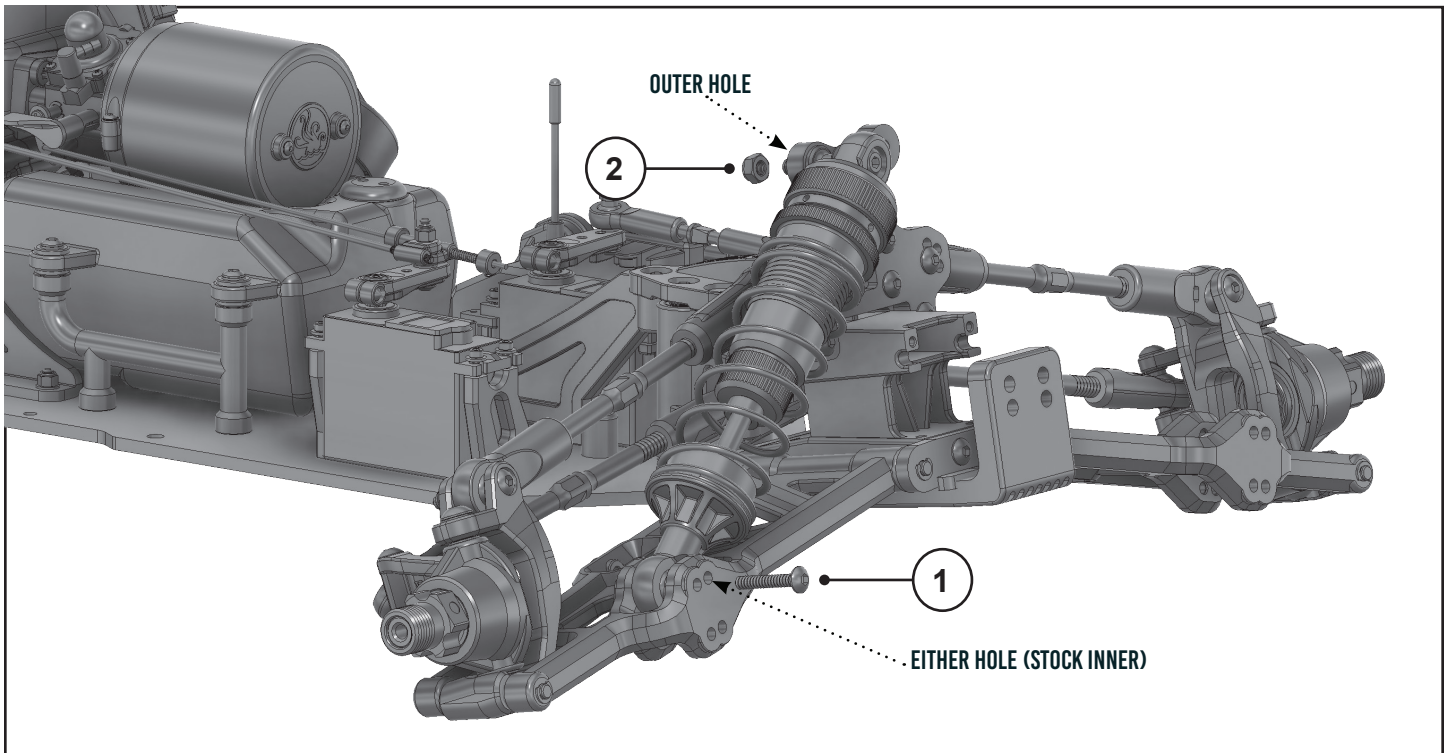


BAG-L

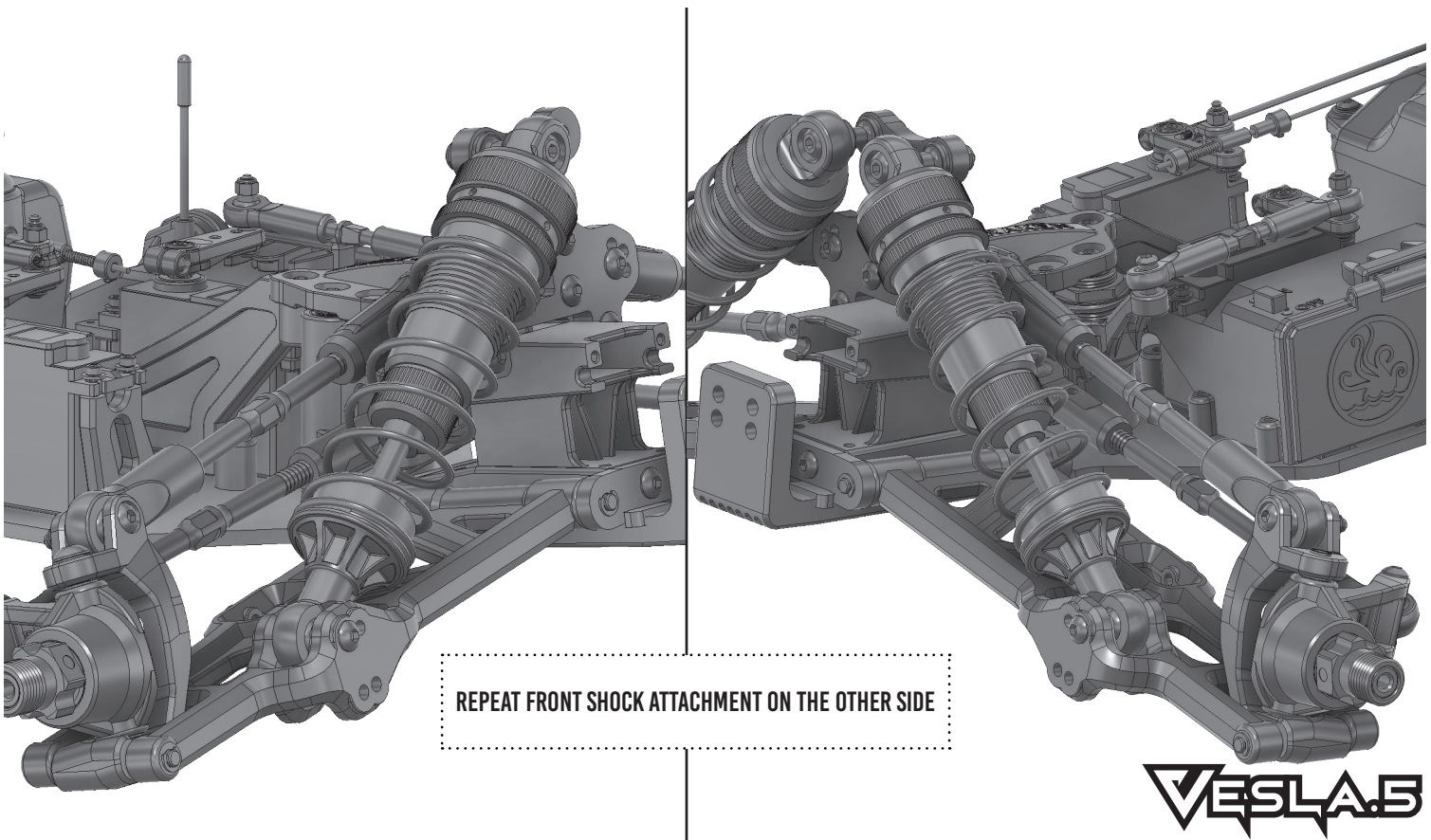


ASSEMBLY	ITEM NUMBER	NAME	QUANTITY
1	KV3347	BH5x35mm	1
2	KV3334	Lock Nut M6	1

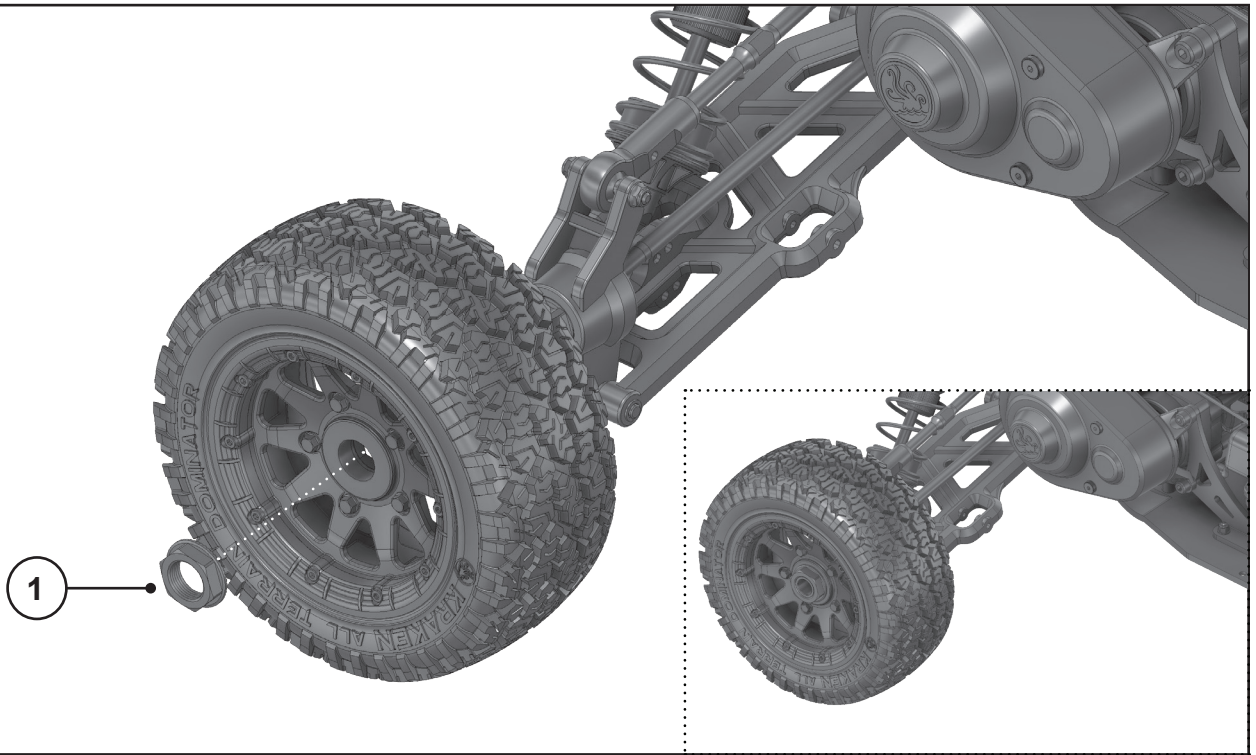




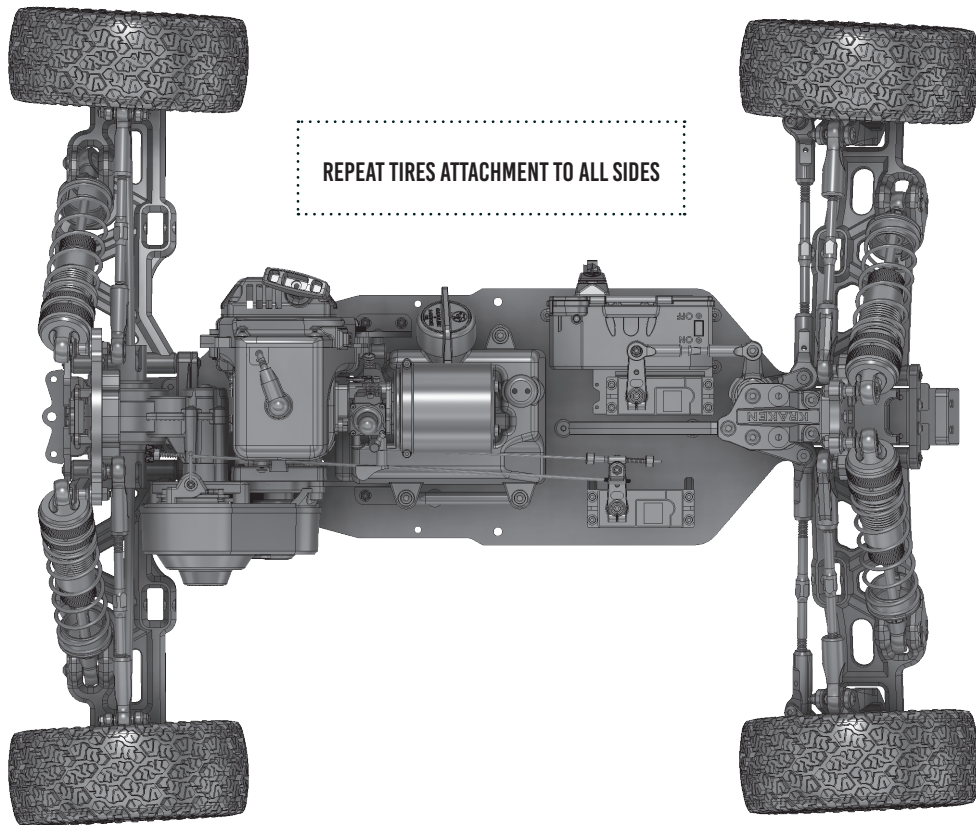
ASSEMBLY	ITEM NUMBER	NAME	QUANTITY
1	KV3456	BH5x30mm	1
2	KV3334	Lock Nut M6	1

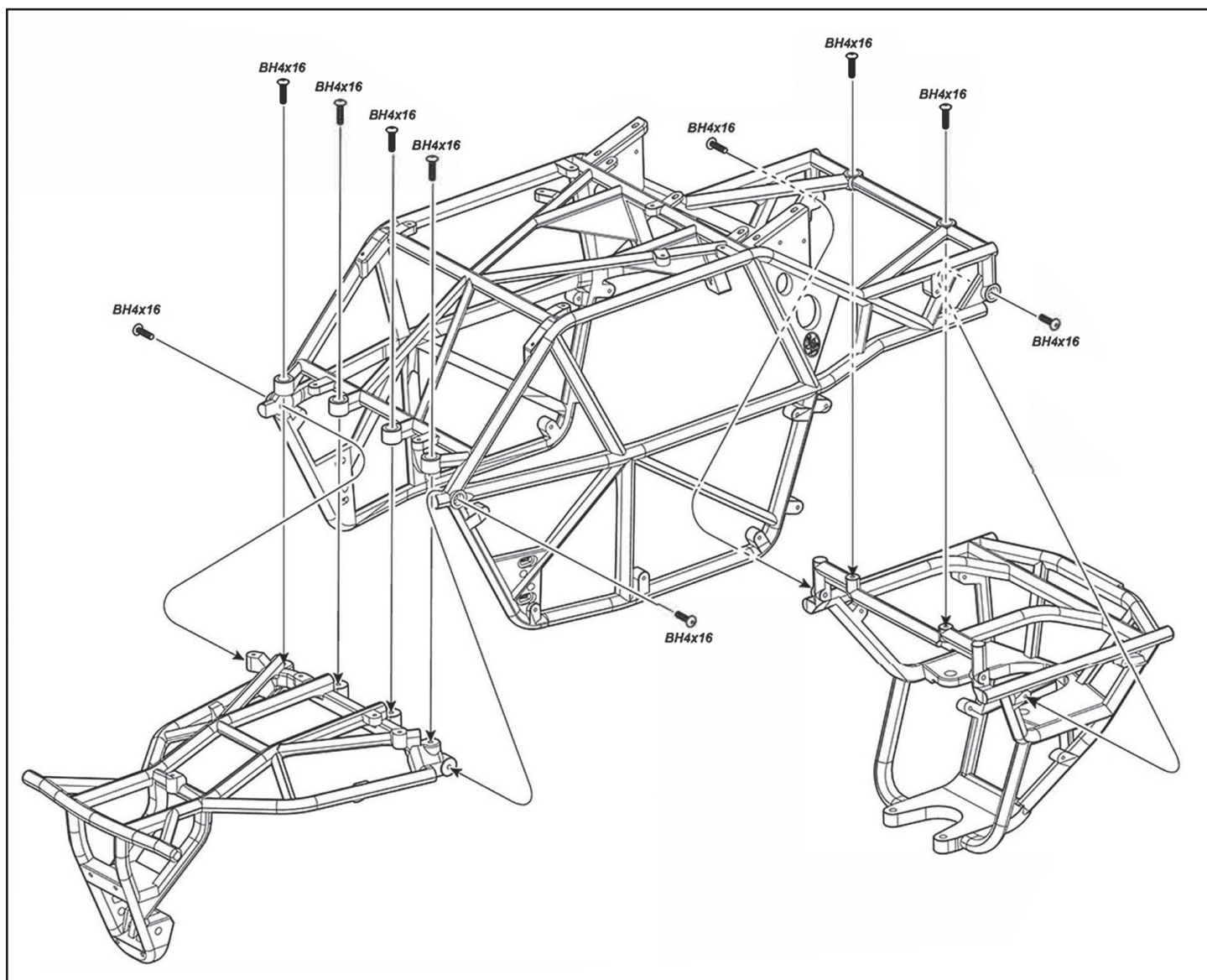


BAG-L



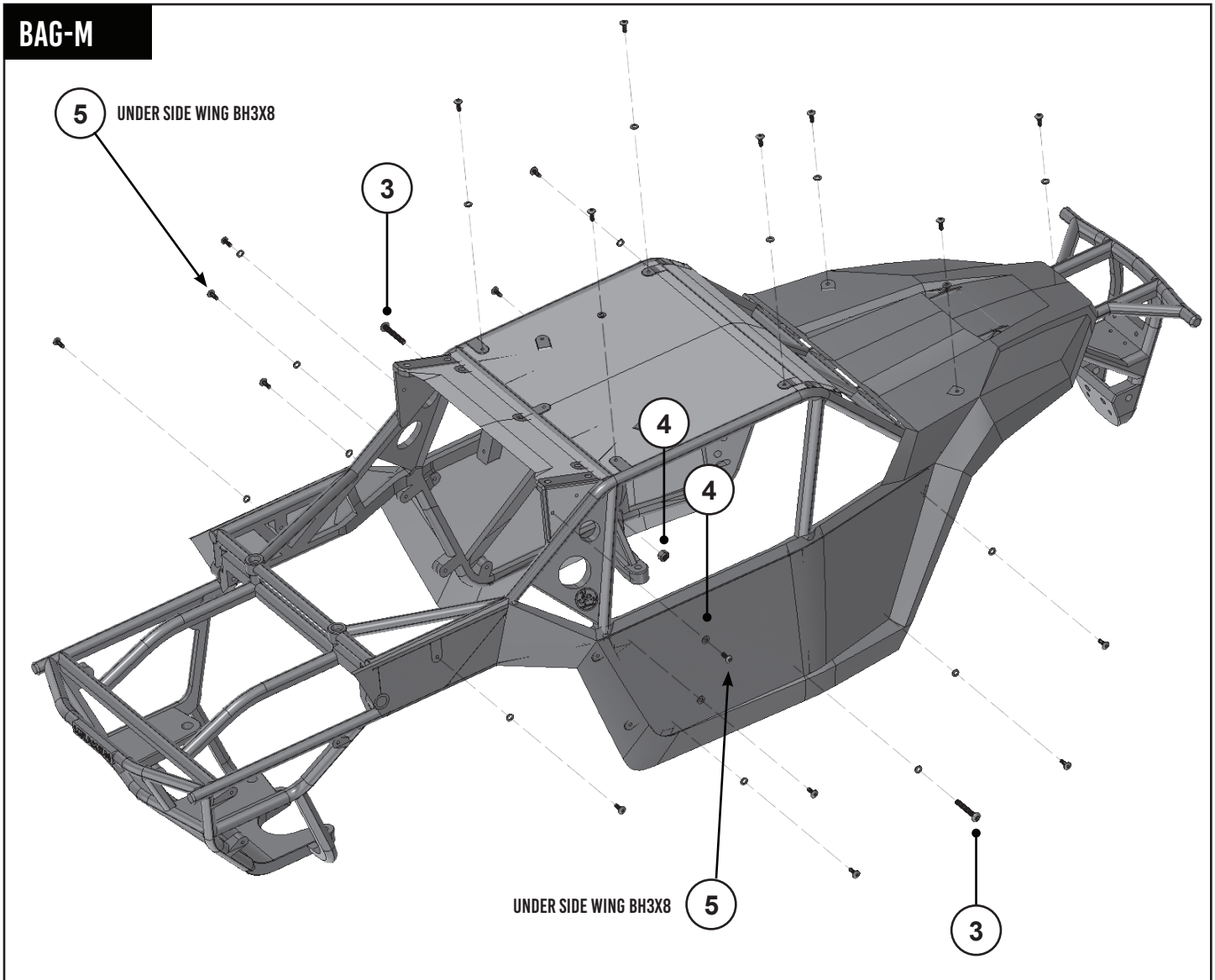
ASSEMBLY	ITEM NUMBER	NAME	QUANTITY
1	KV5549	Wheel Nut	1



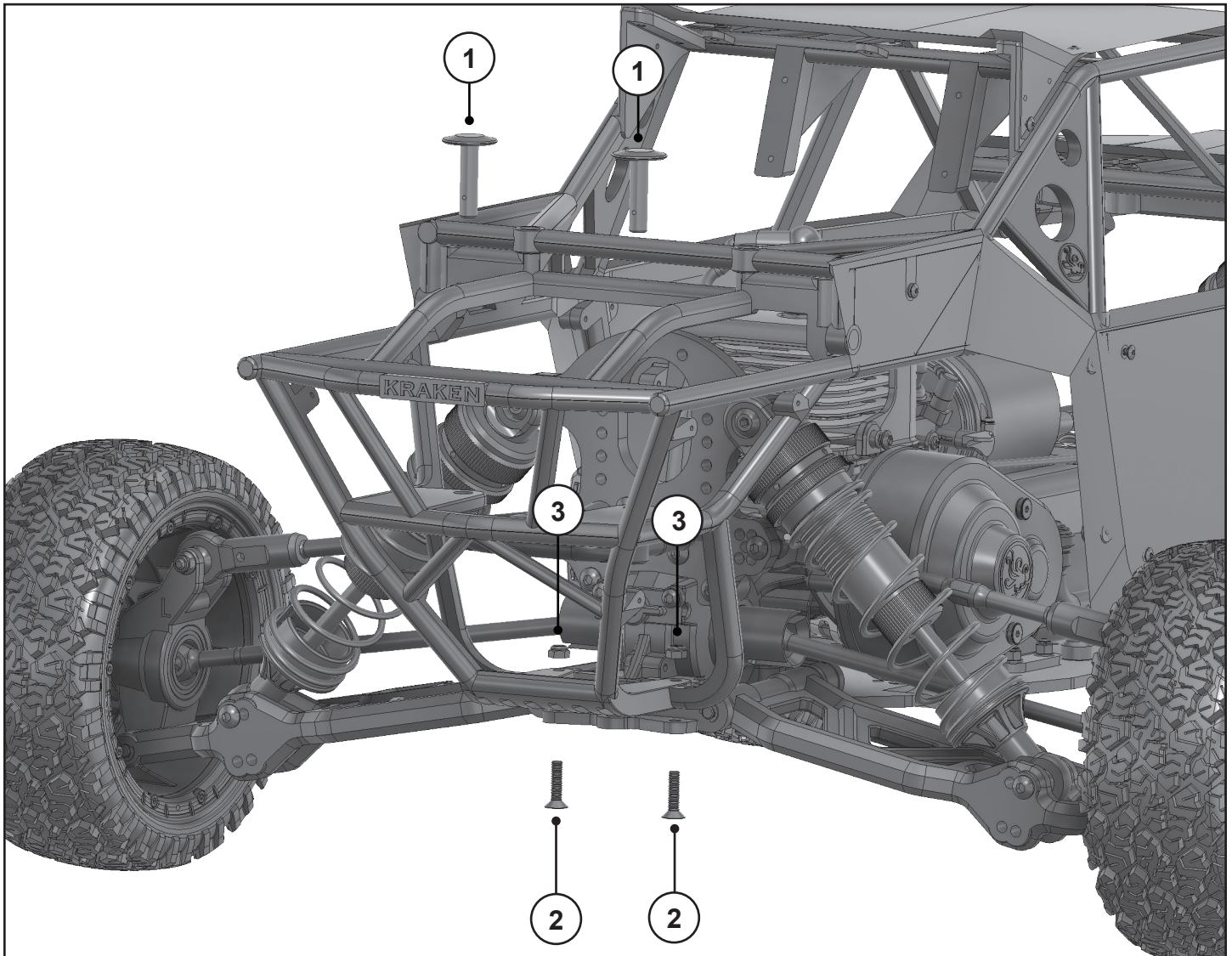


ASSEMBLY	ITEM NUMBER	NAME	QUANTITY
1	KV3340	BH4x16mm	10

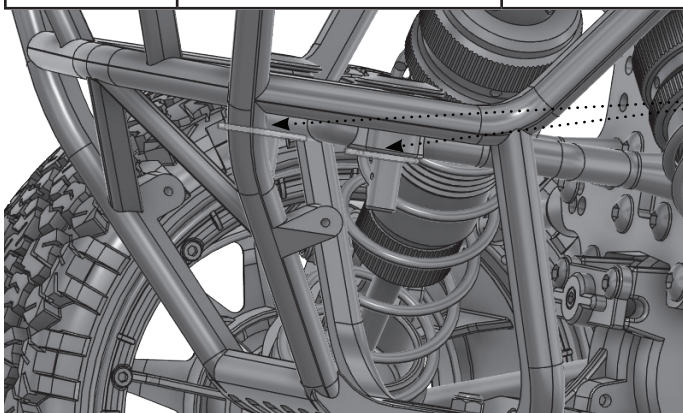
BAG-M



ASSEMBLY	ITEM NUMBER	NAME	QUANTITY
1	KV3343	BH3x10mm (All small screws otherwise indicated)	17
2	KVS461	M3 Washer (All small washers otherwise indicated)	19
3	KV3360	BH4x25mm	2
4	KV3332	M4 Lock Nut	2
5	KV3338	BH3x8mm	2

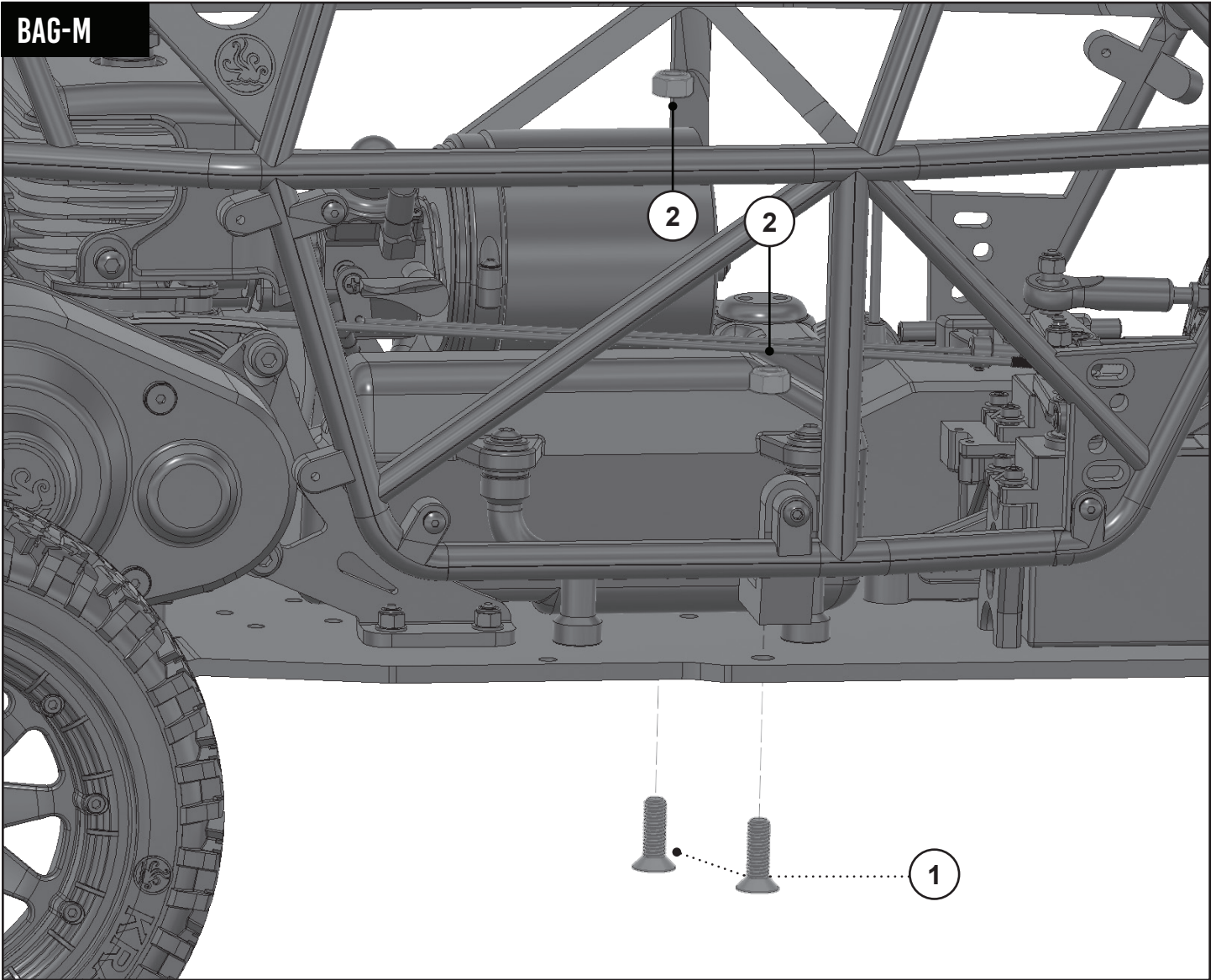


ASSEMBLY	ITEM NUMBER	NAME	QUANTITY
1	KV3643	Rear Pin Tabs	2
2	KV3367	FH5x20mm	2
3	KV3333	M5 Lock Nut	2
4	KVS456	R-Pin	2

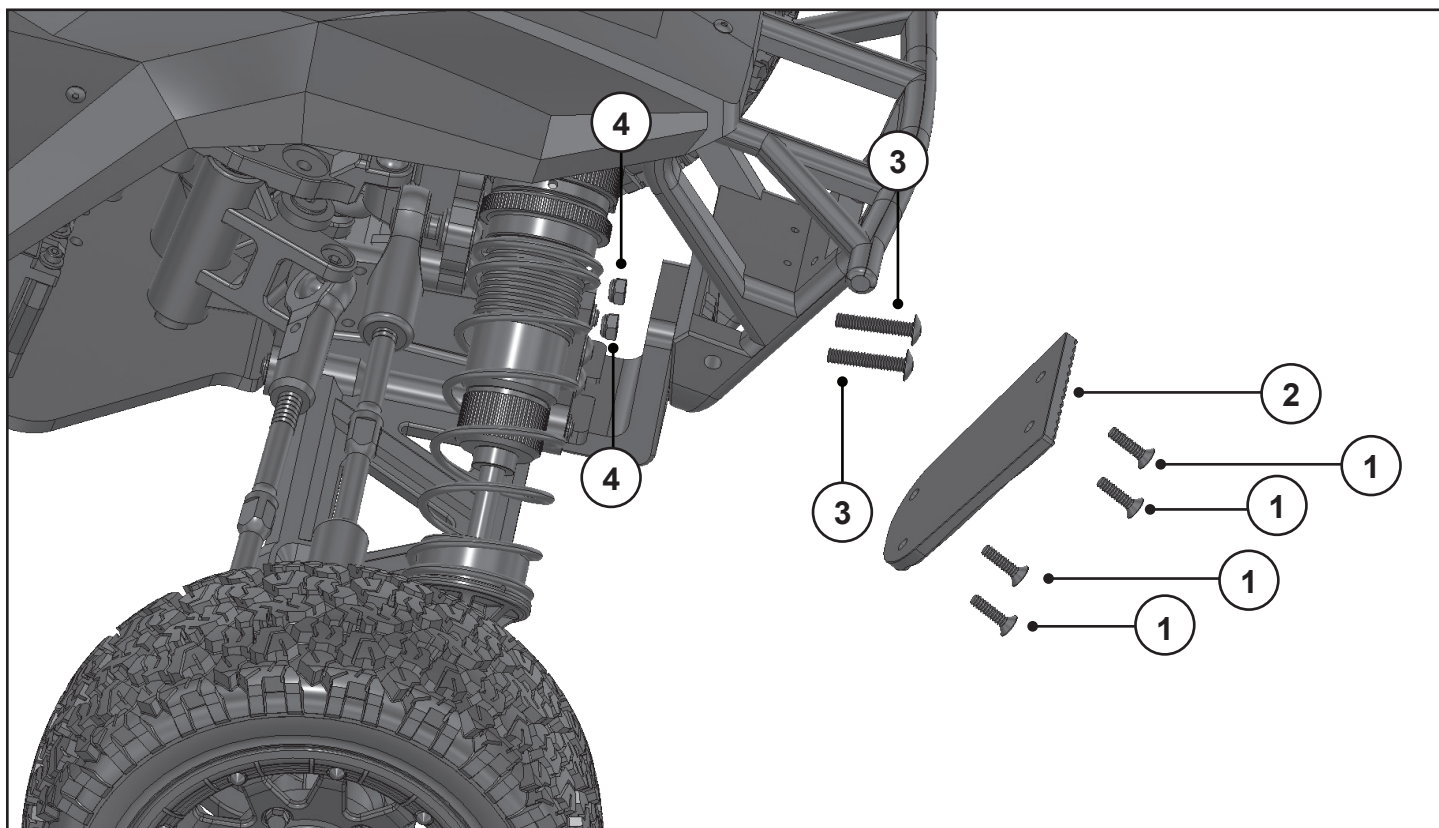


MOUNT THE R-PINS IN THE SECOND HOLES

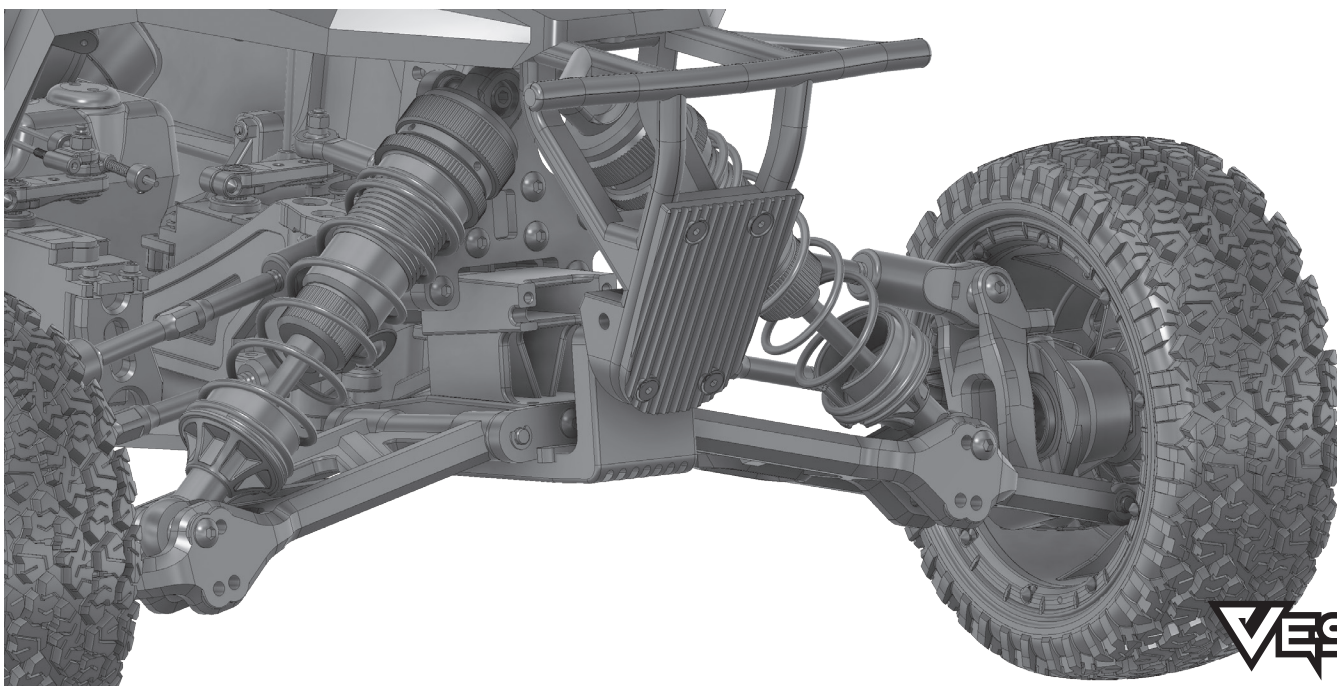
BAG-M



ASSEMBLY	ITEM NUMBER	NAME	QUANTITY
1	KVS522	FH6x20mm	2
2	KV3334	M6 Lock Nut	2

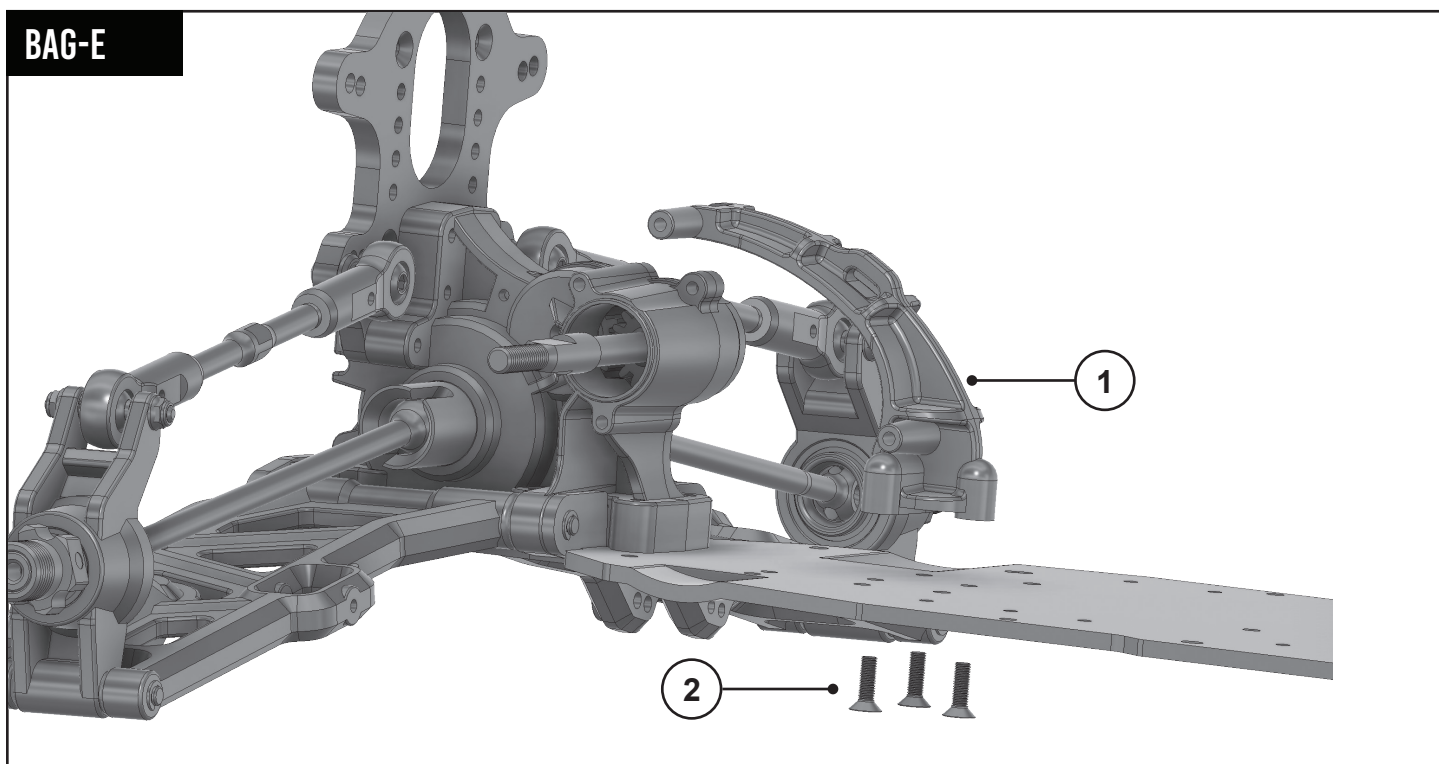


ASSEMBLY	ITEM NUMBER	NAME	QUANTITY
1	KVS454	FH4x15mm	4
2	KV3641	Front Bumper Plate	1
3	KV3456	BH5x30mm	2
4	KV3333	M5 Lock Nut	2

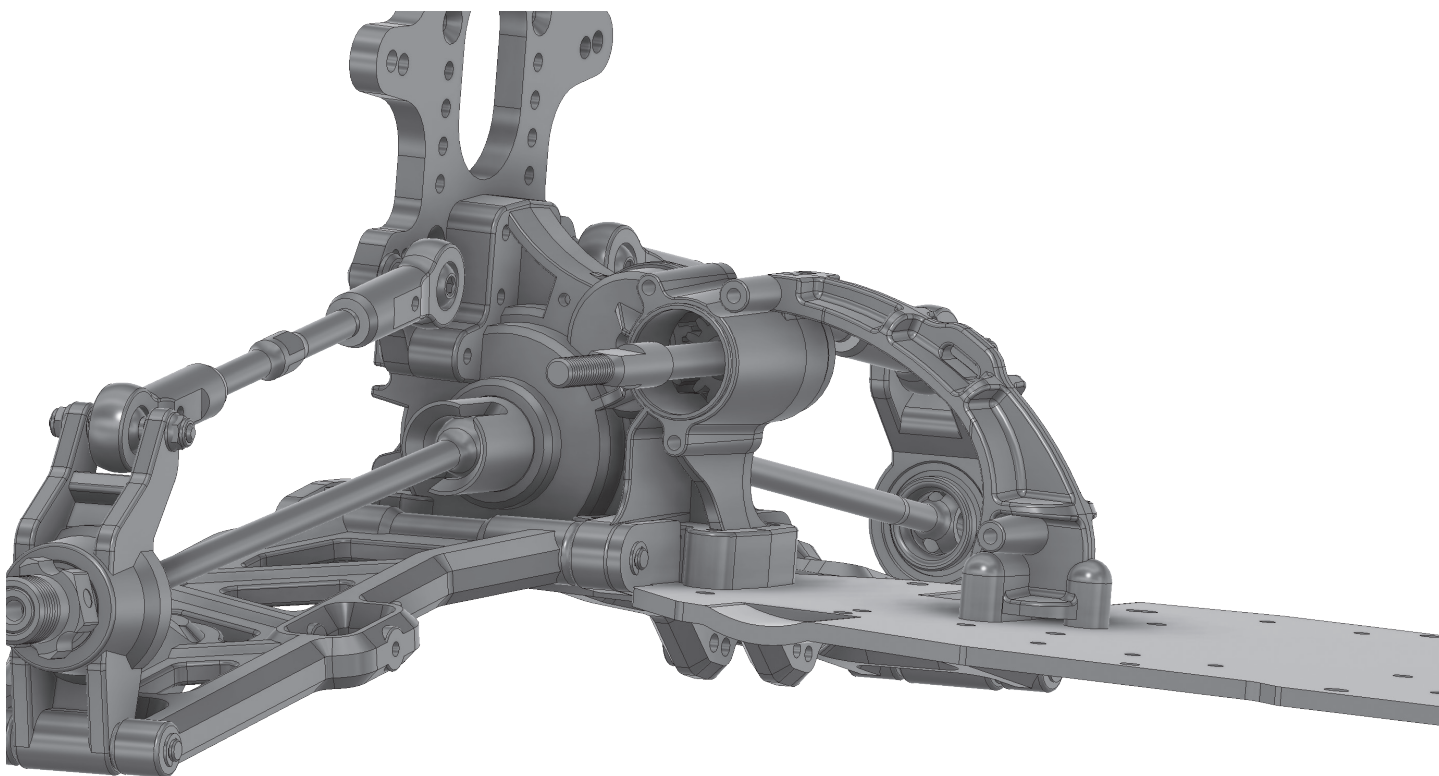


Electric Addendum

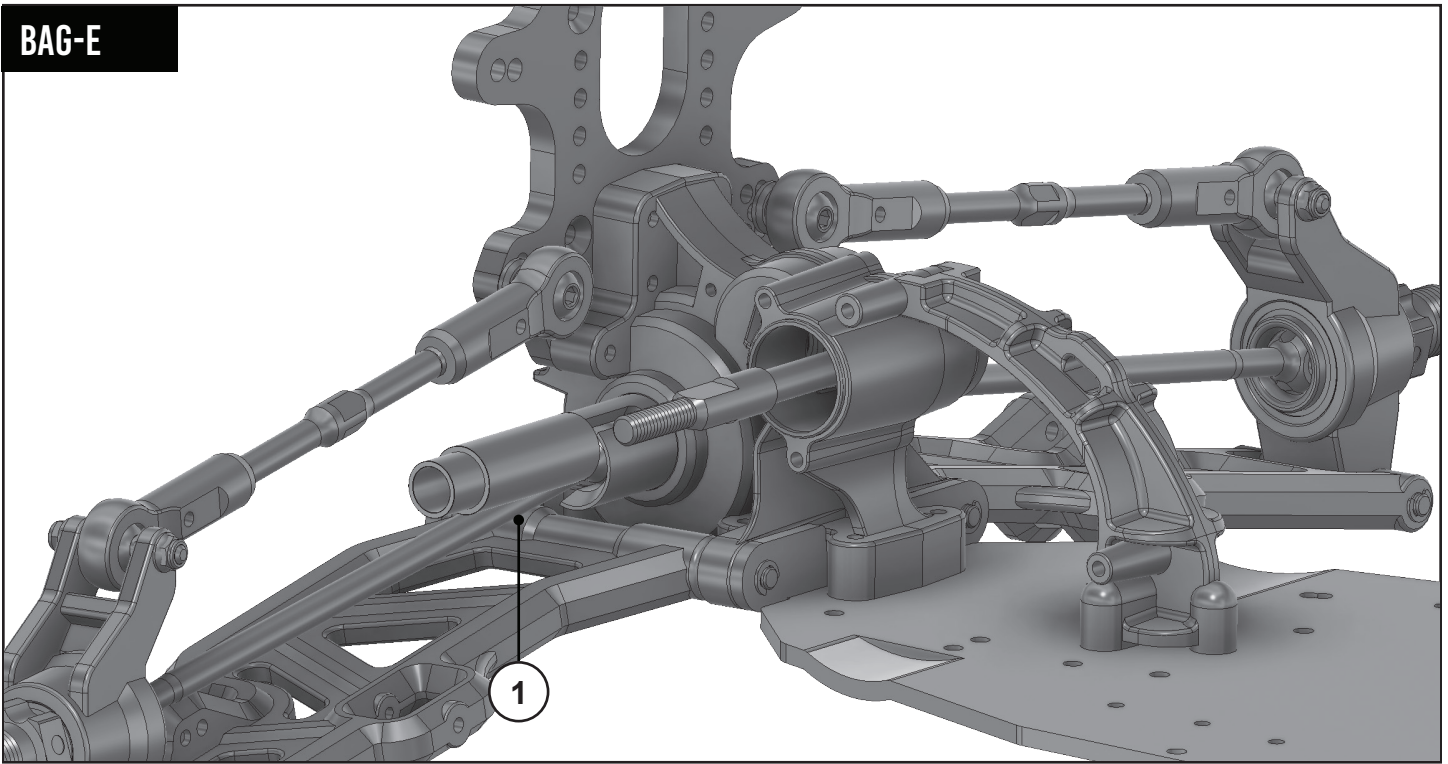
BAG-E



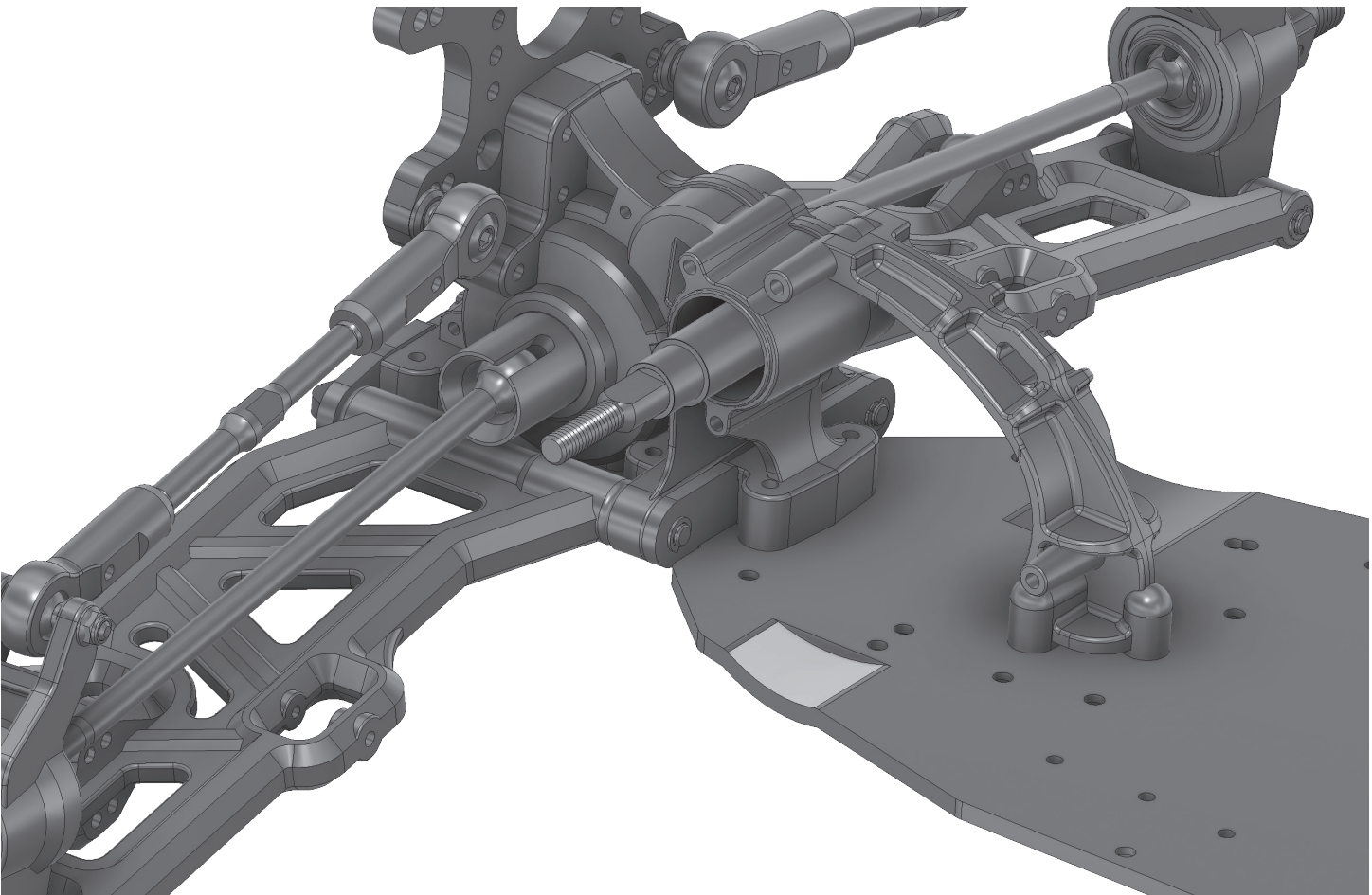
ASSEMBLY	ITEM NUMBER	NAME	QUANTITY
1	KVS492	Rear Chassis Bracket	1
2	KV3366	FH5x16mm	3

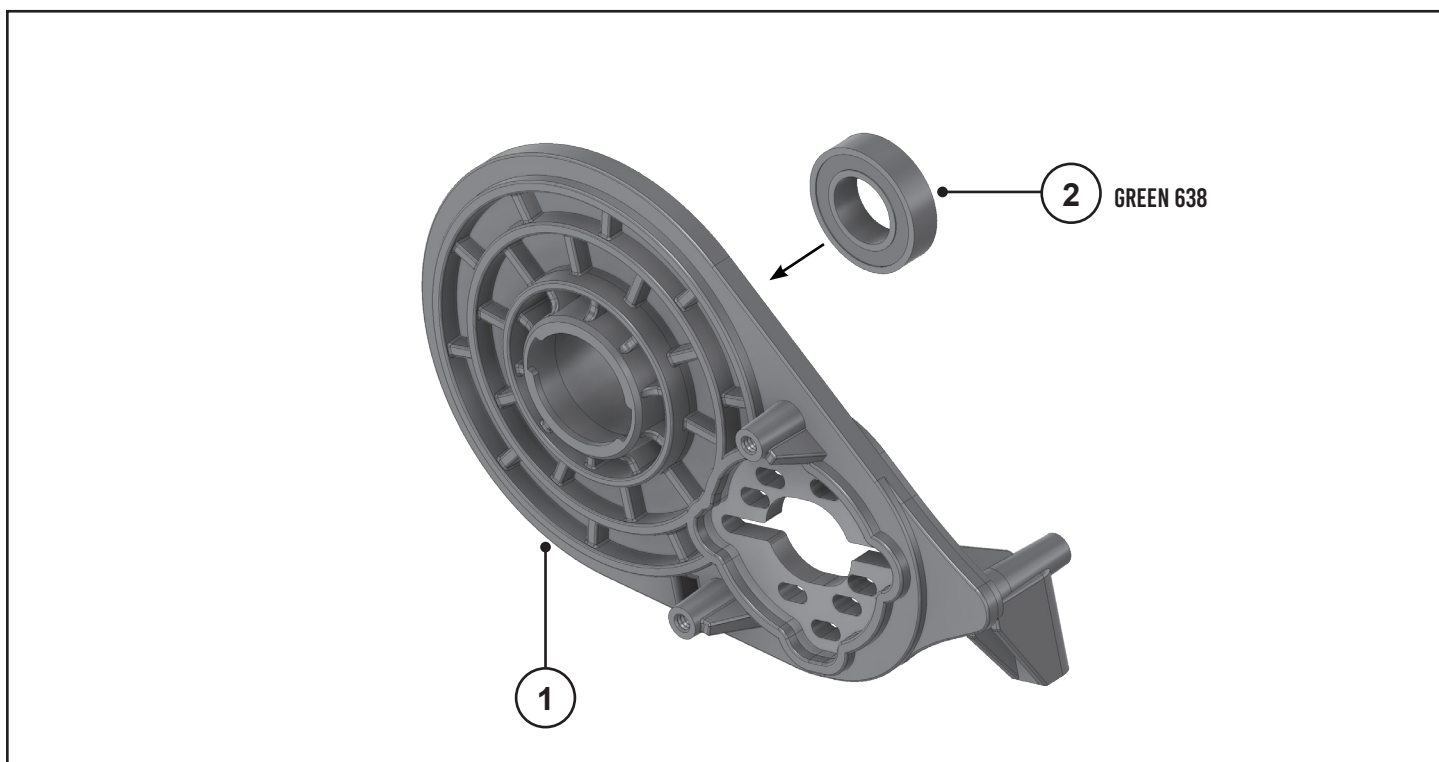


BAG-E

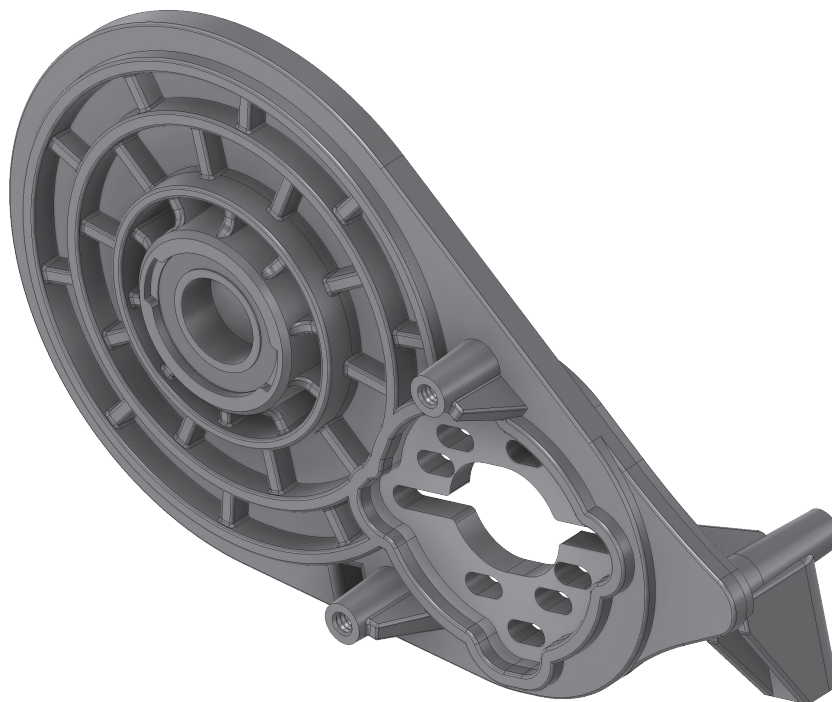


ASSEMBLY	ITEM NUMBER	NAME	QUANTITY
1	KVS478	Spacer-C	1

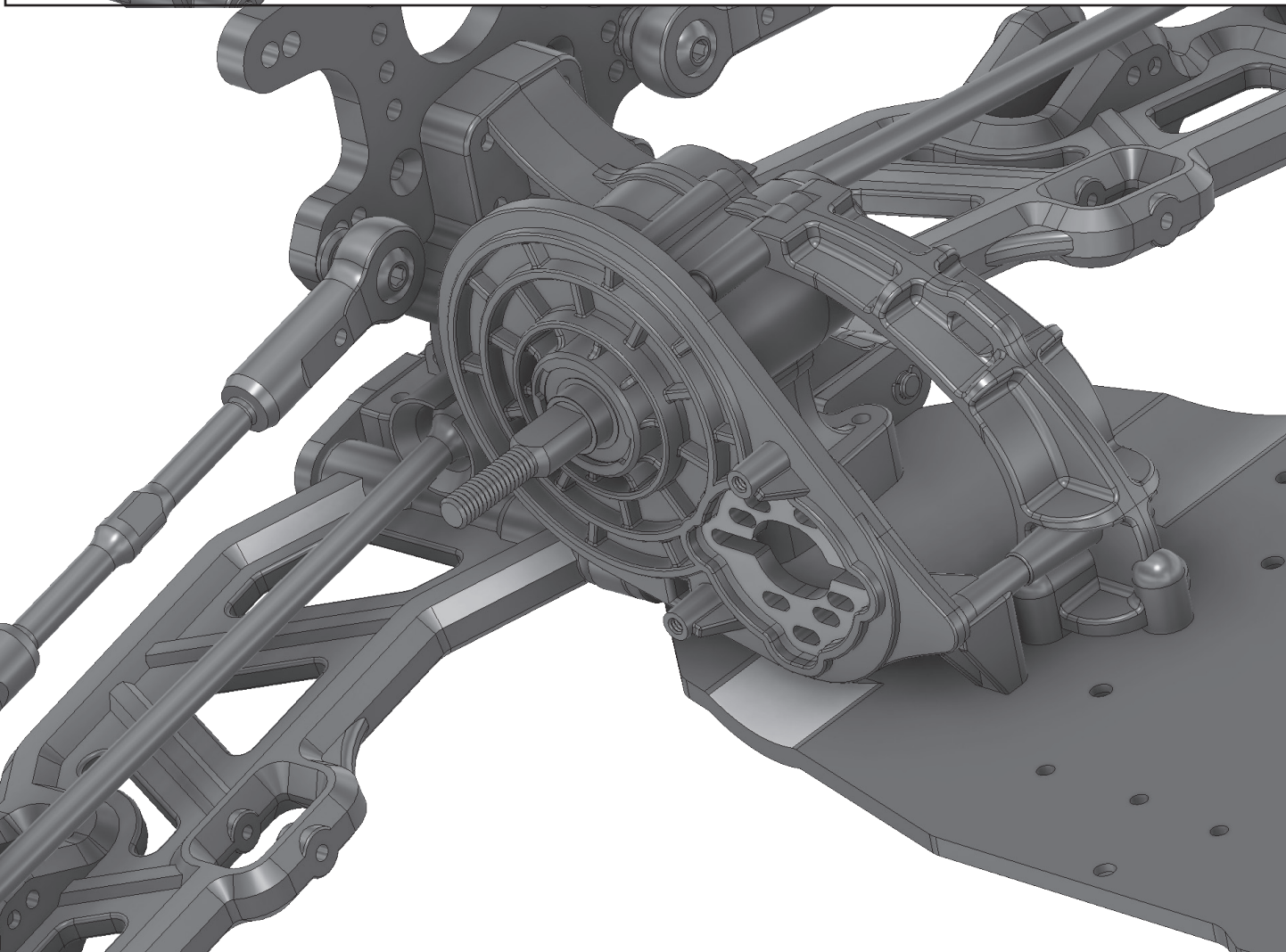
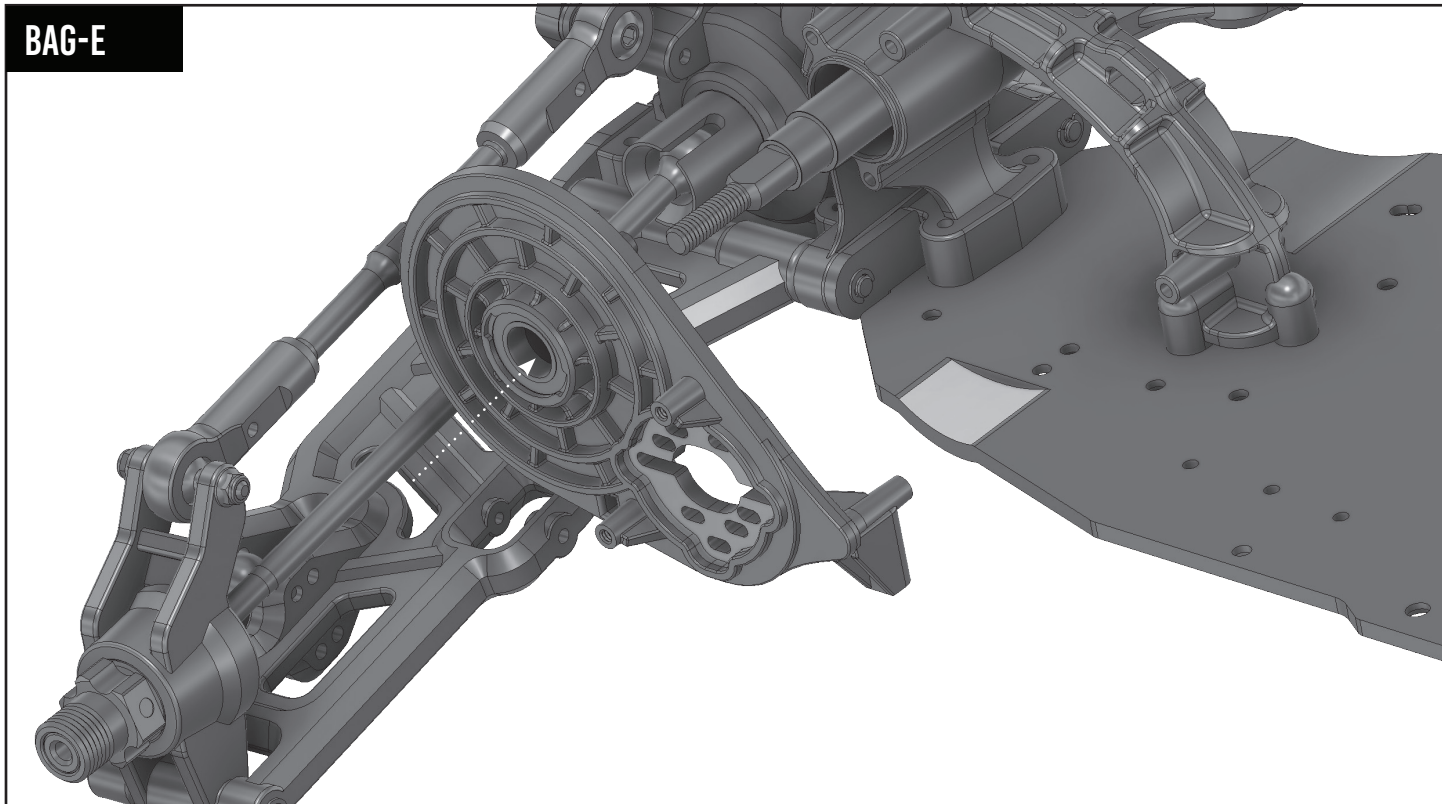


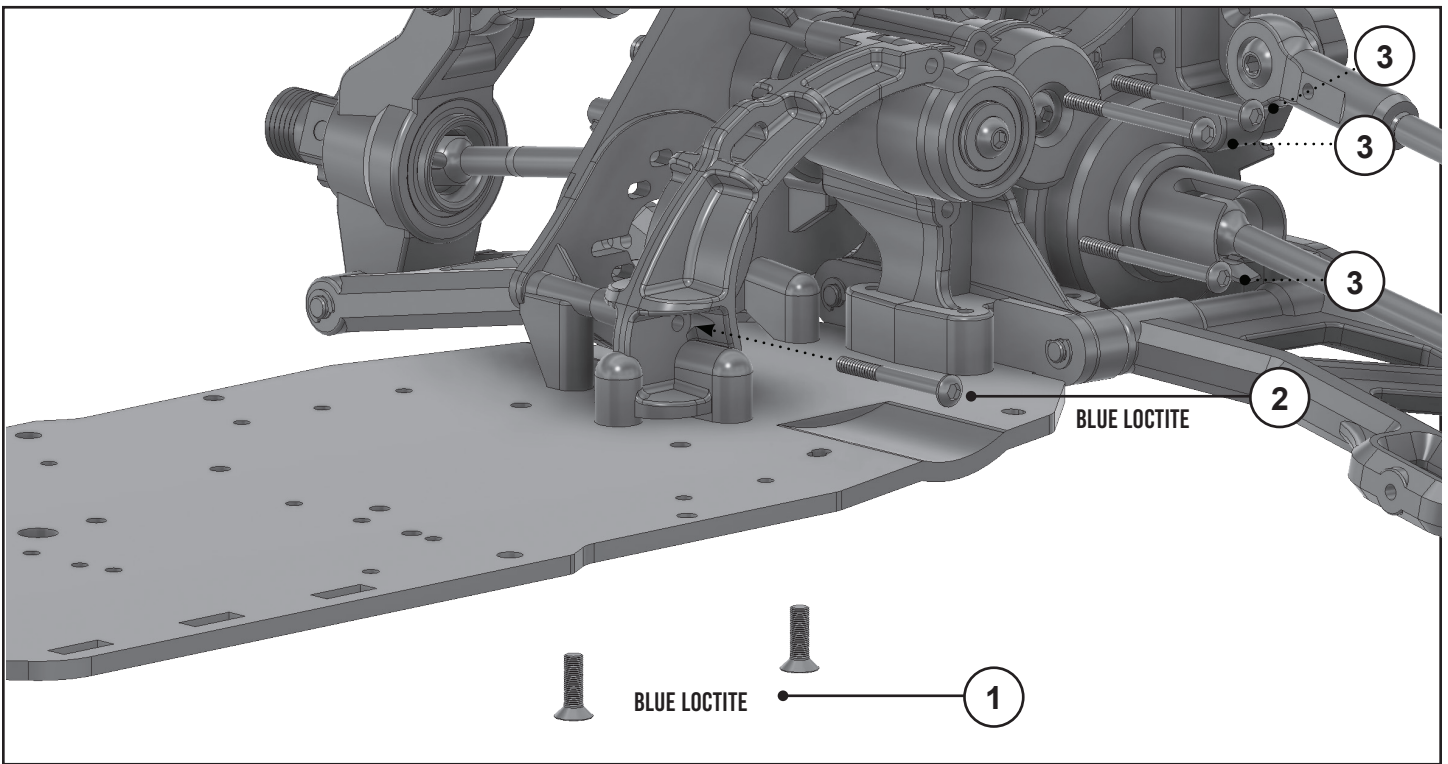


ASSEMBLY	ITEM NUMBER	NAME	QUANTITY
1	KVS500	Tranny Plate (Electric)	1
2	KV3317	Bearing 15x28x7mm	1

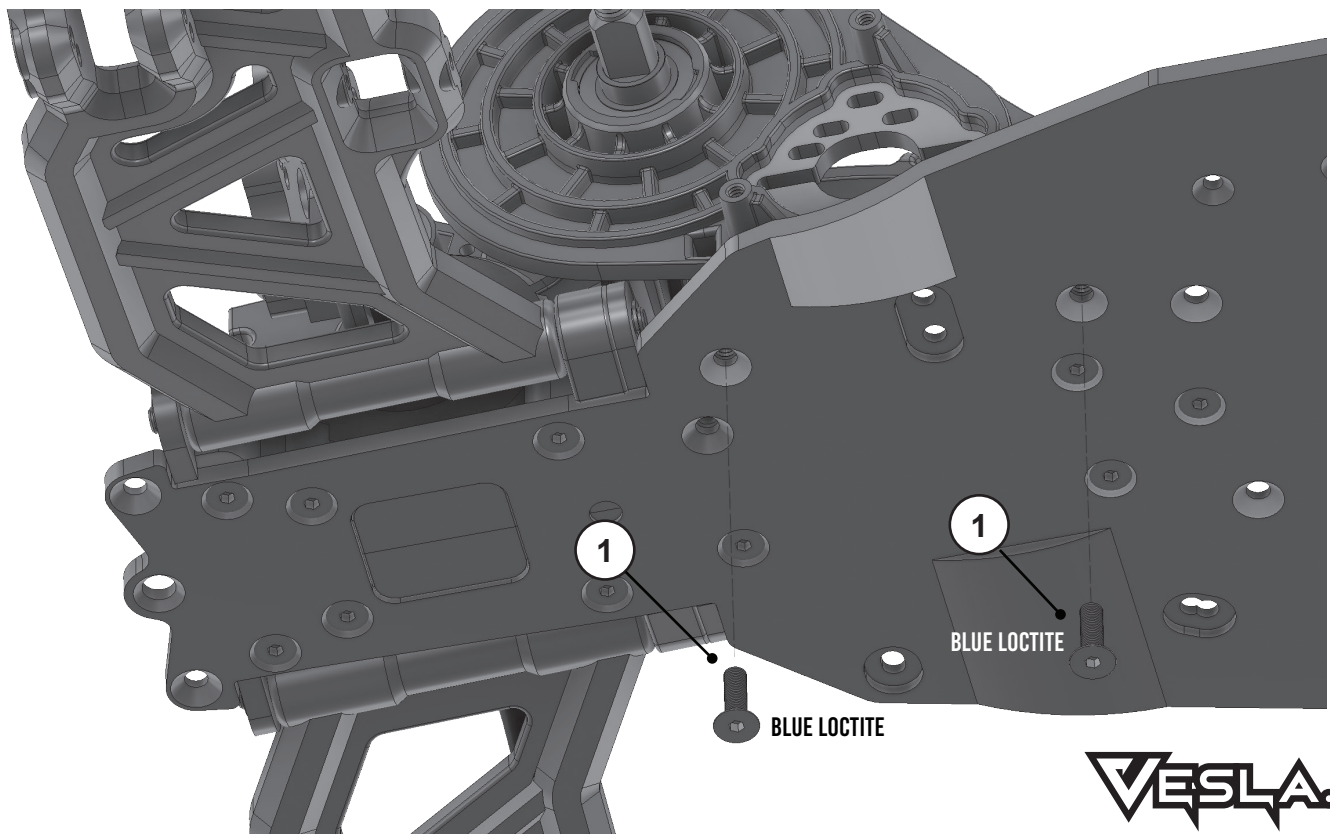


BAG-E

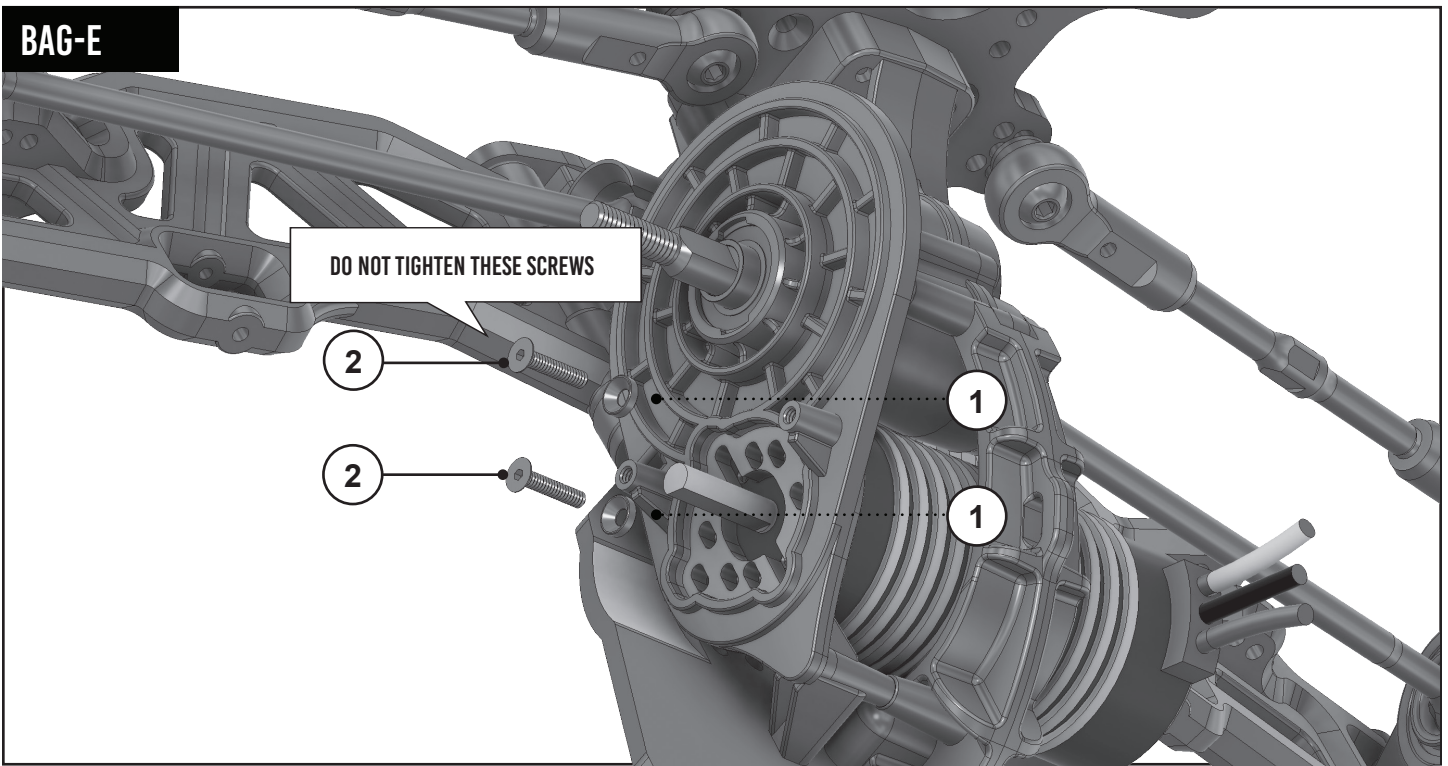




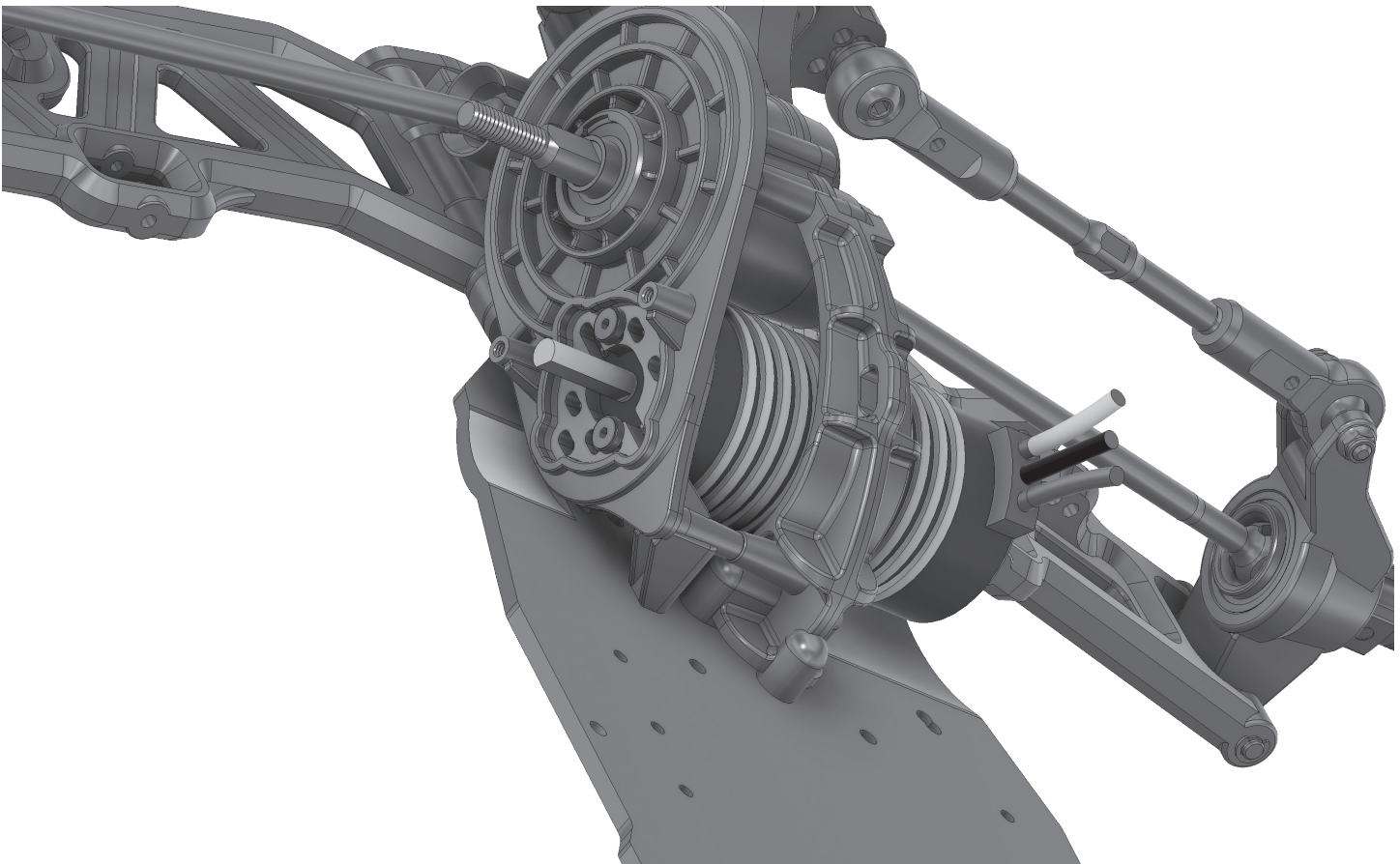
ASSEMBLY	ITEM NUMBER	NAME	QUANTITY
1	KV3366	FH5x16mm	2
2	KVS450	BH4x40mm	1
3	KVS451	BH4x50mm	3

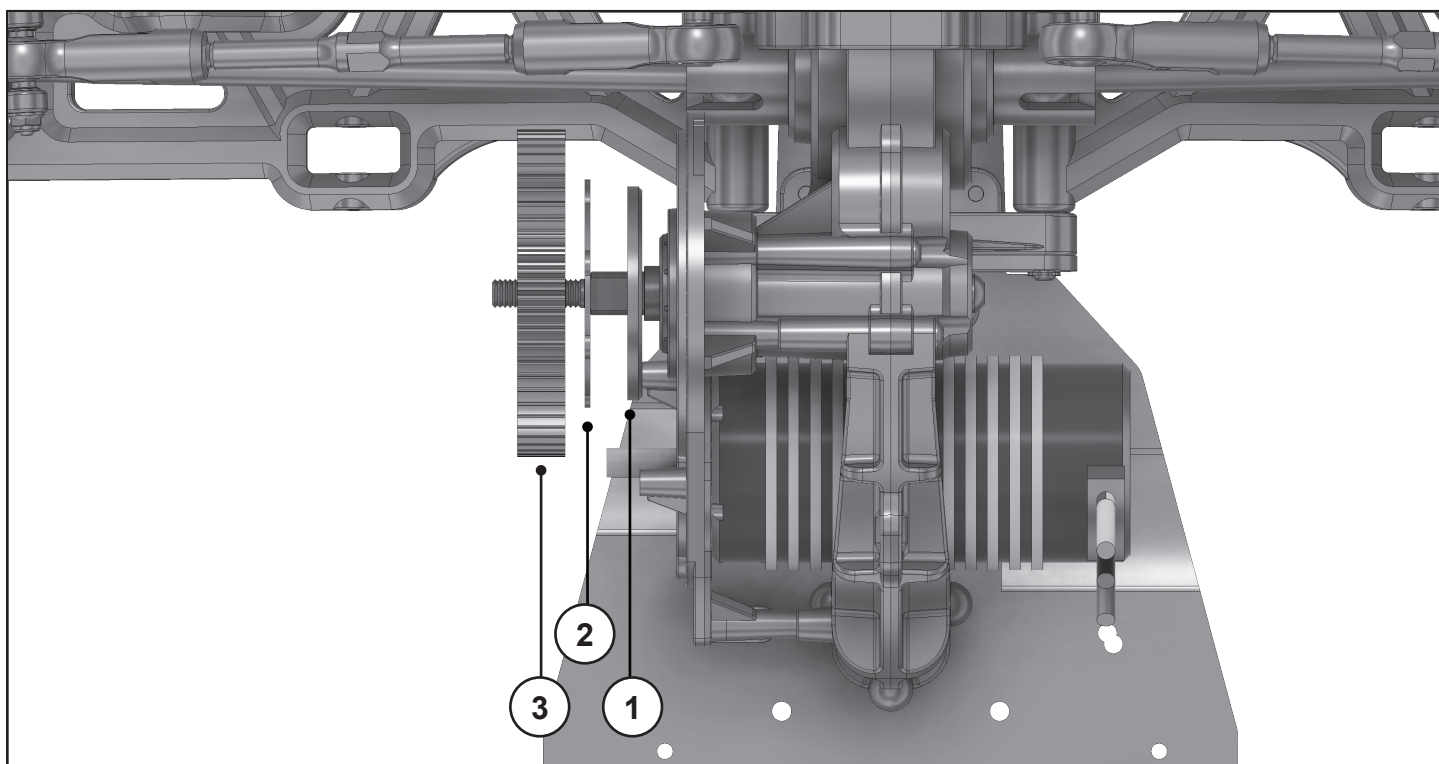


BAG-E

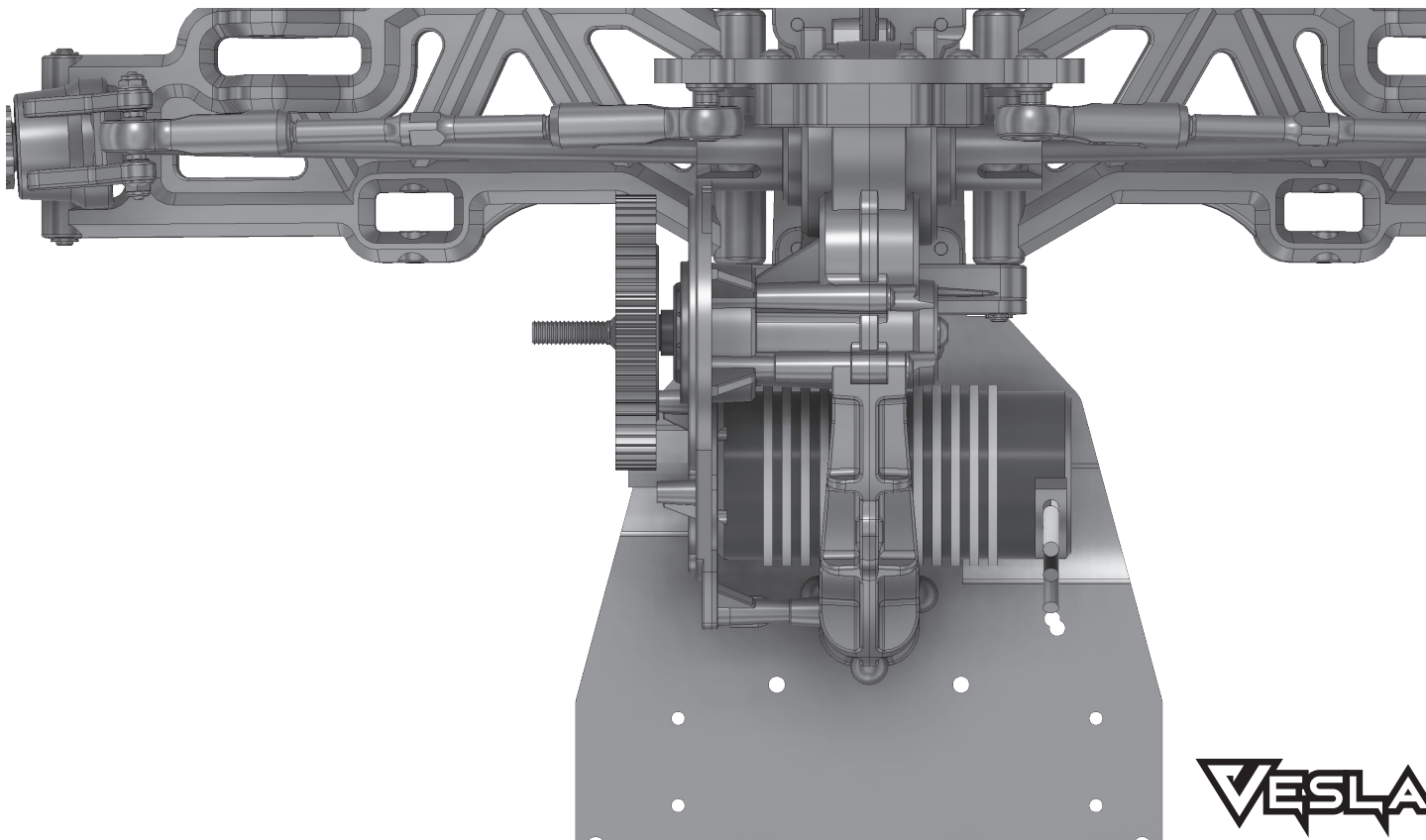


ASSEMBLY	ITEM NUMBER	NAME	QUANTITY
1	KVS518	Washer FH4mm	2
2	KV3364	FH4x16mm	2



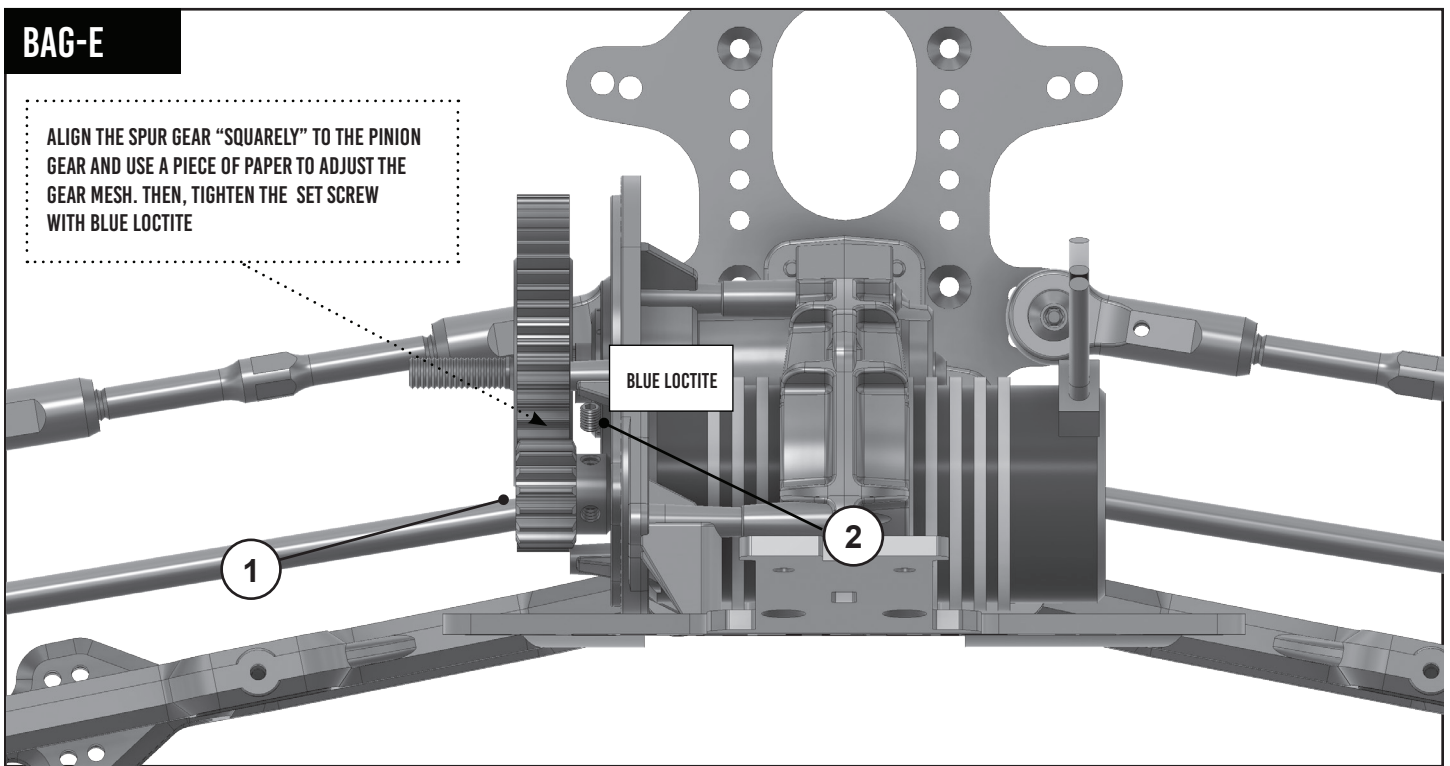


ASSEMBLY	ITEM NUMBER	NAME	QUANTITY
1	KVS532	Slipper Disk	1
2	KV4414	Slipper Pad	1
3	KVS530	Spur Gear T57	1

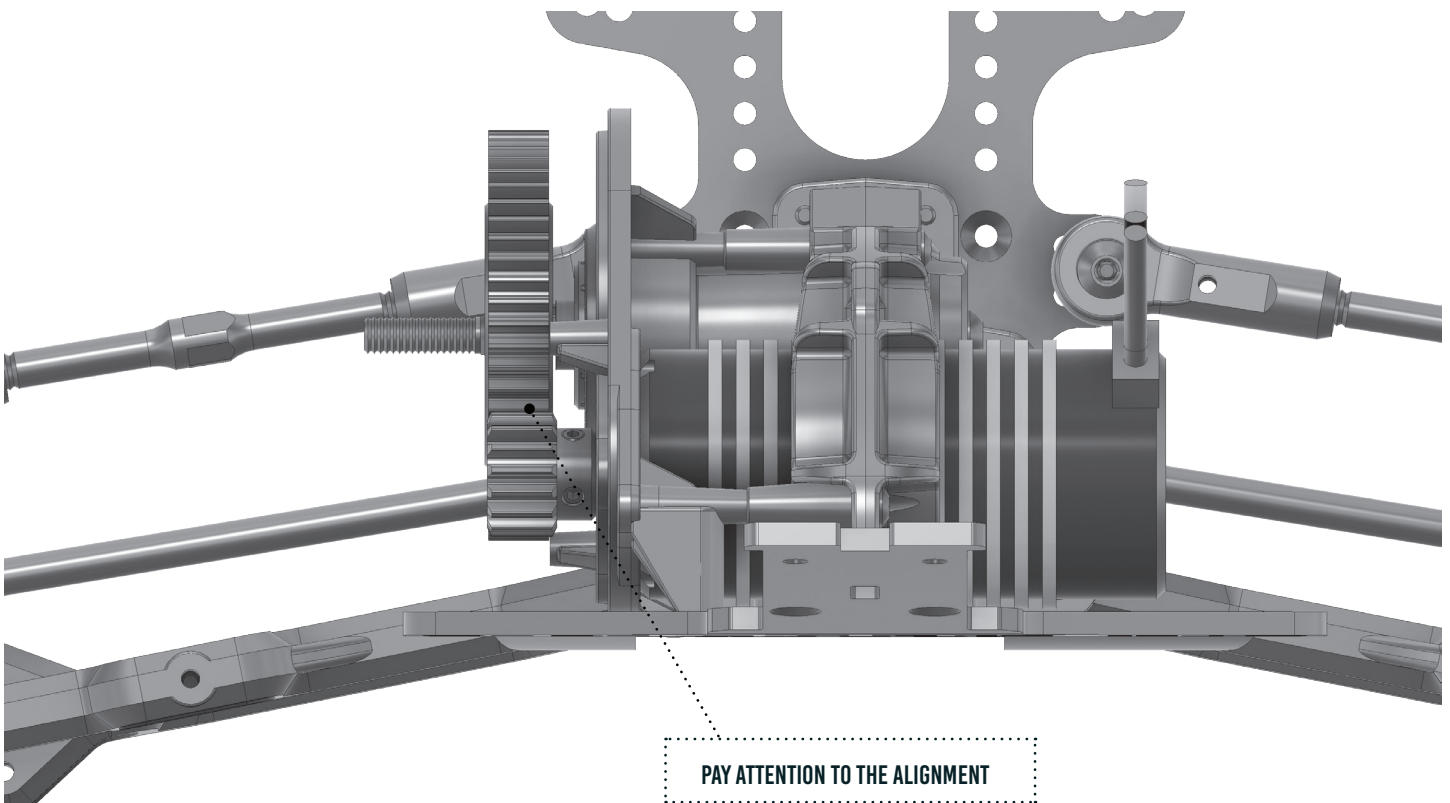


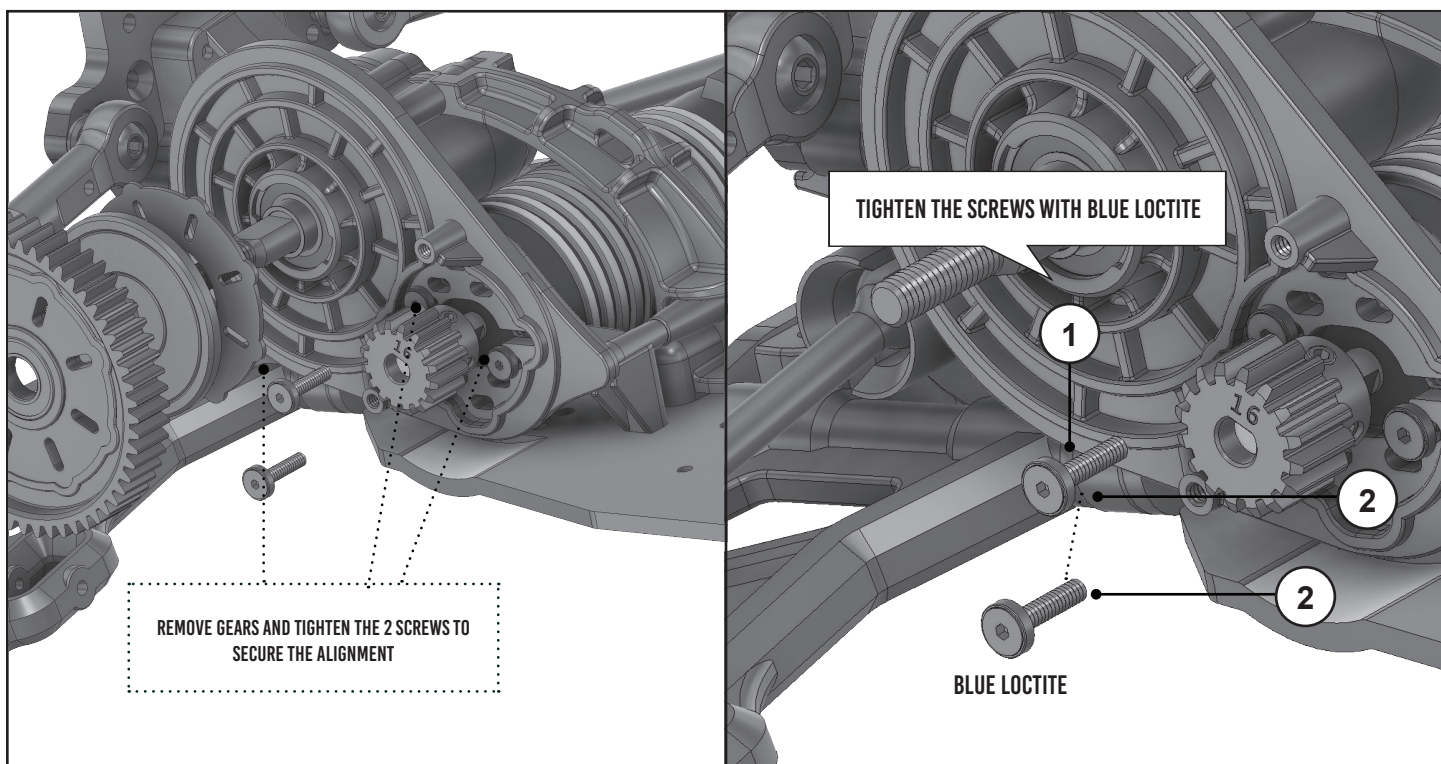
BAG-E

ALIGN THE SPUR GEAR "SQUARELY" TO THE PINION GEAR AND USE A PIECE OF PAPER TO ADJUST THE GEAR MESH. THEN, TIGHTEN THE SET SCREW WITH BLUE LOCTITE

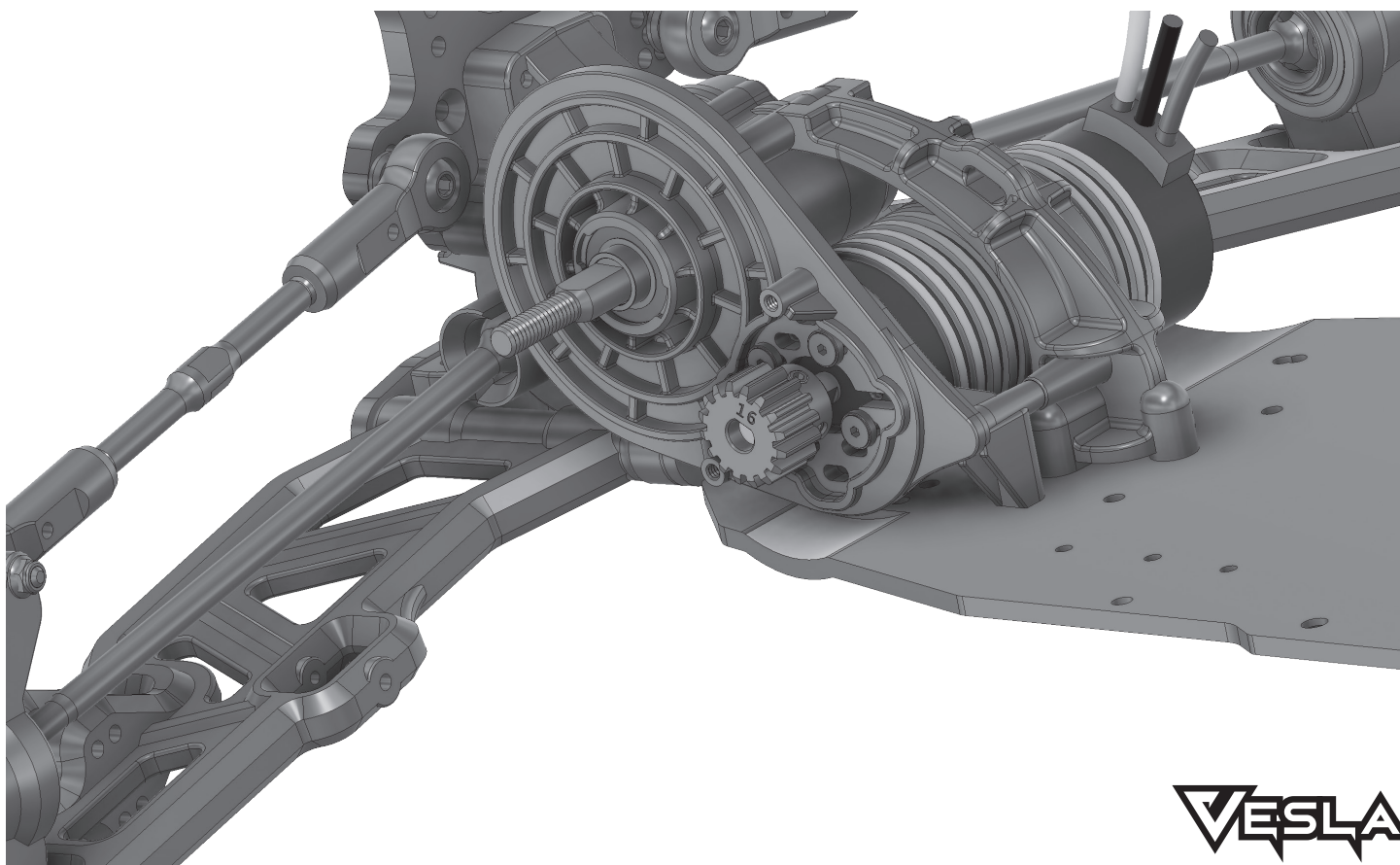


ASSEMBLY	ITEM NUMBER	NAME	QUANTITY
1	NONE	Pinion Gear (Not Included - Use Mod 1.5)	1
2	KV3375	Set Screw 5x6mm	1

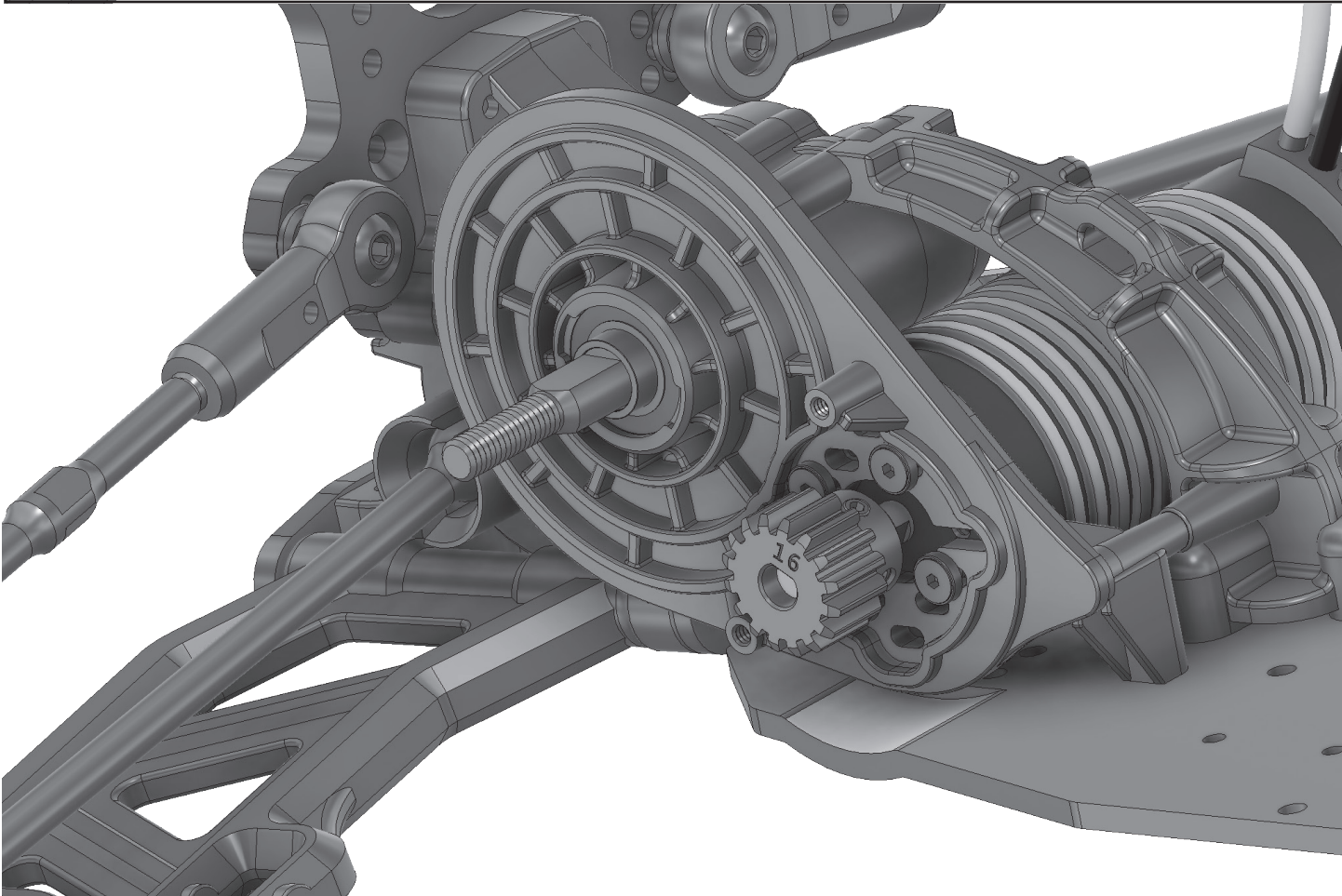
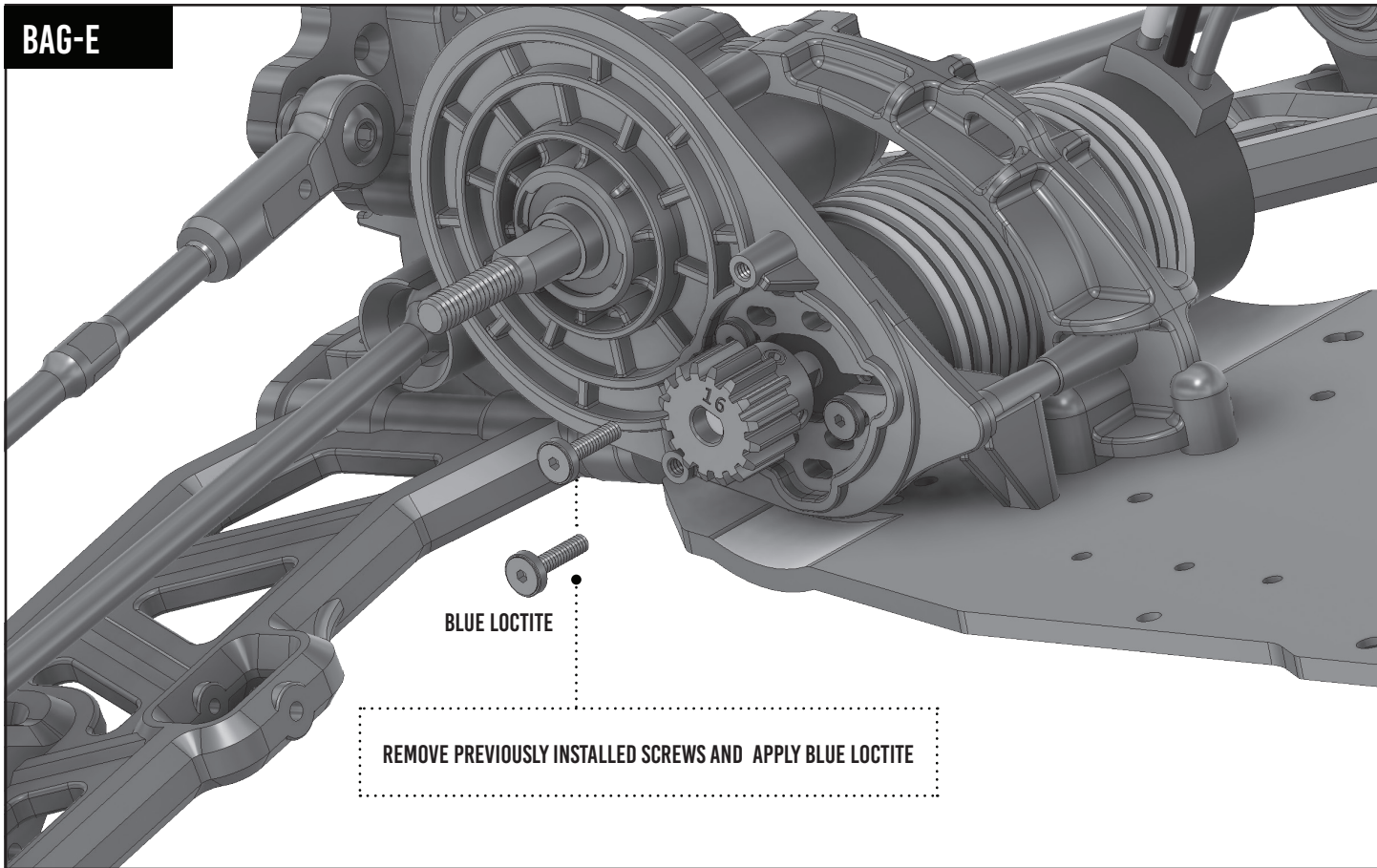


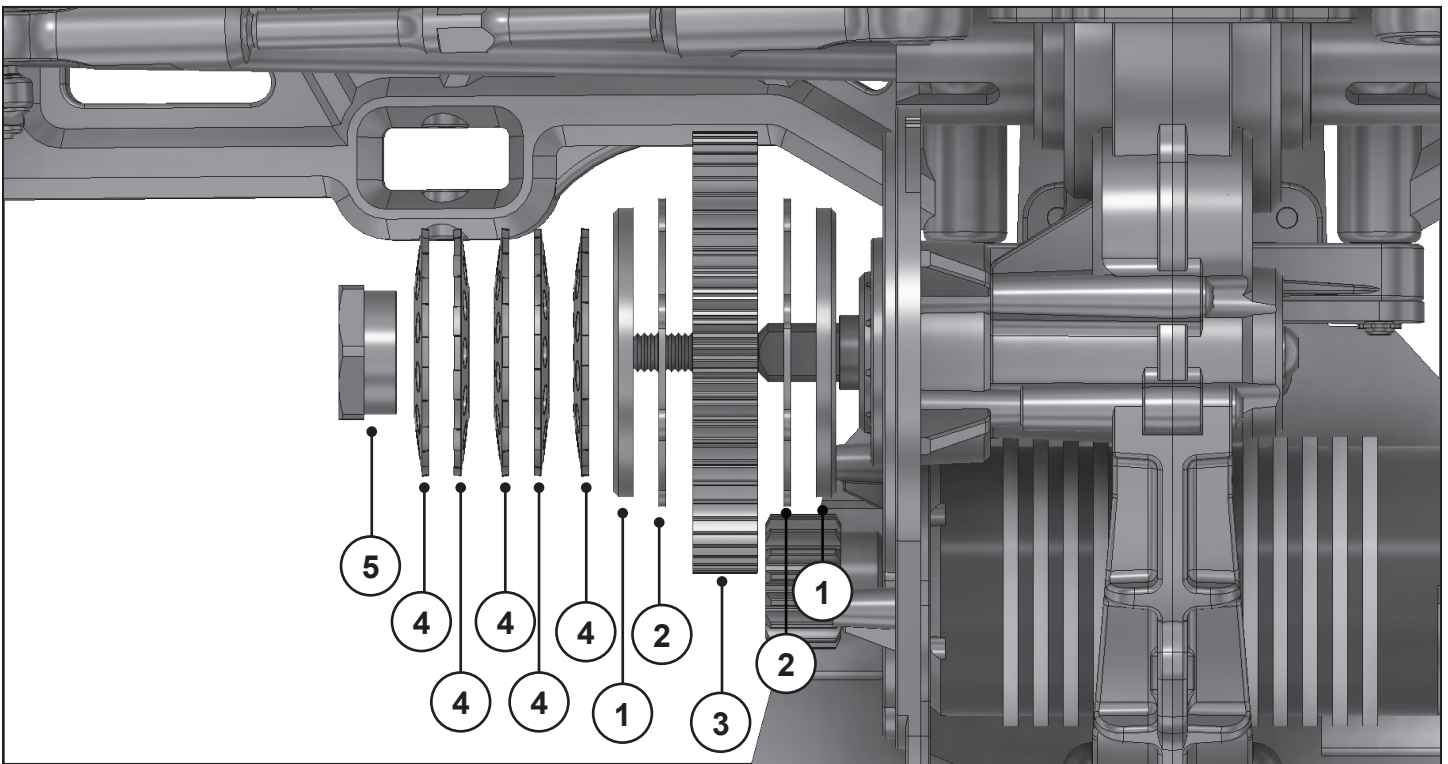


Assembly	Item Number	Name	Quantity
1	KVS518	Washer FH4mm	2
2	KV3364	FH4x16mm	2

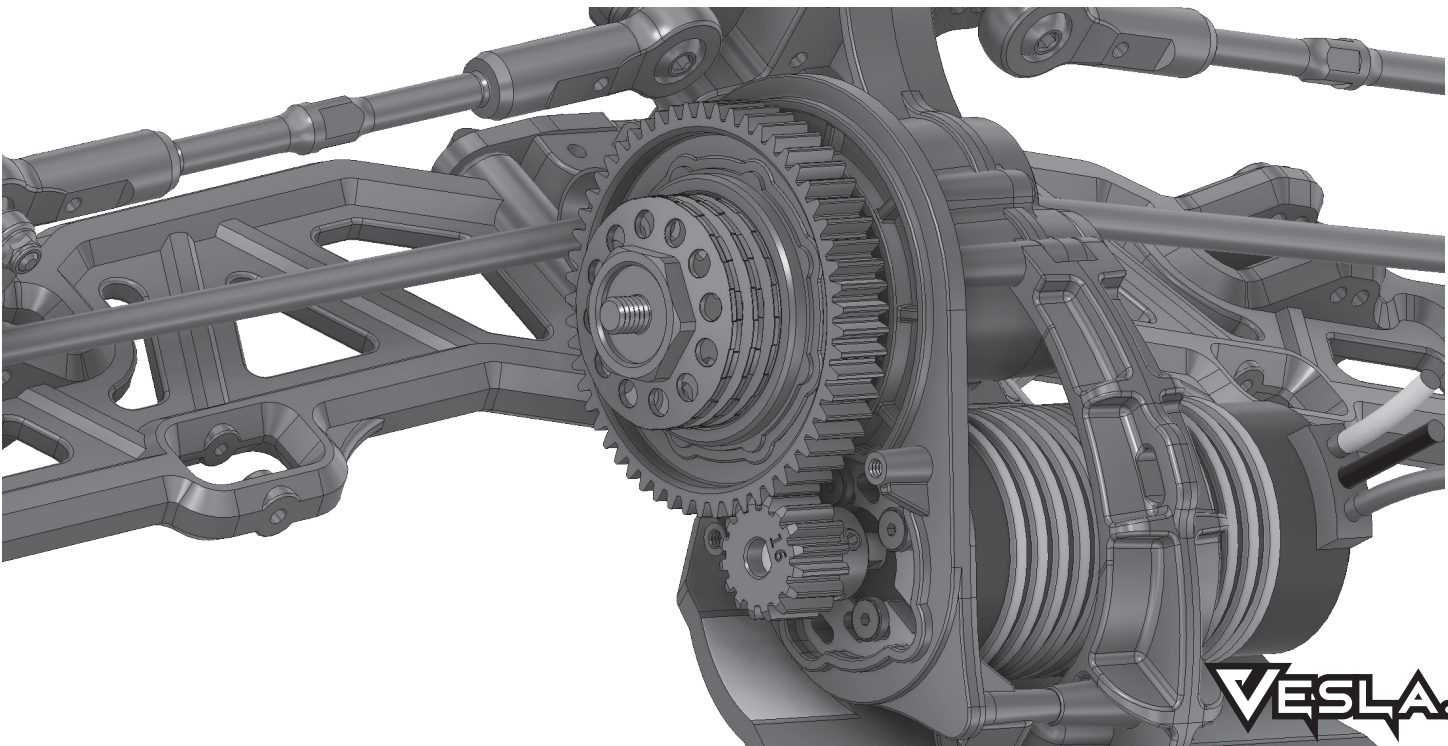


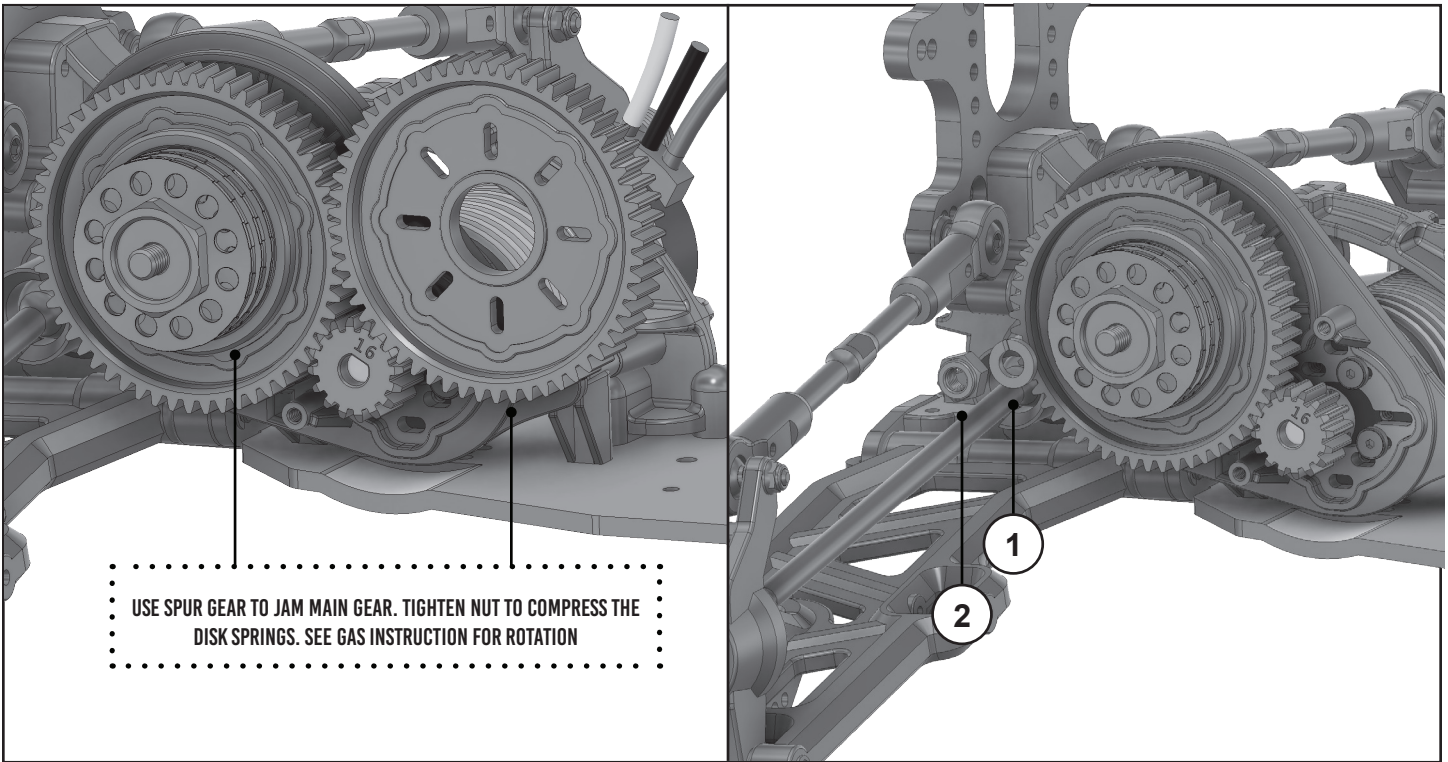
BAG-E



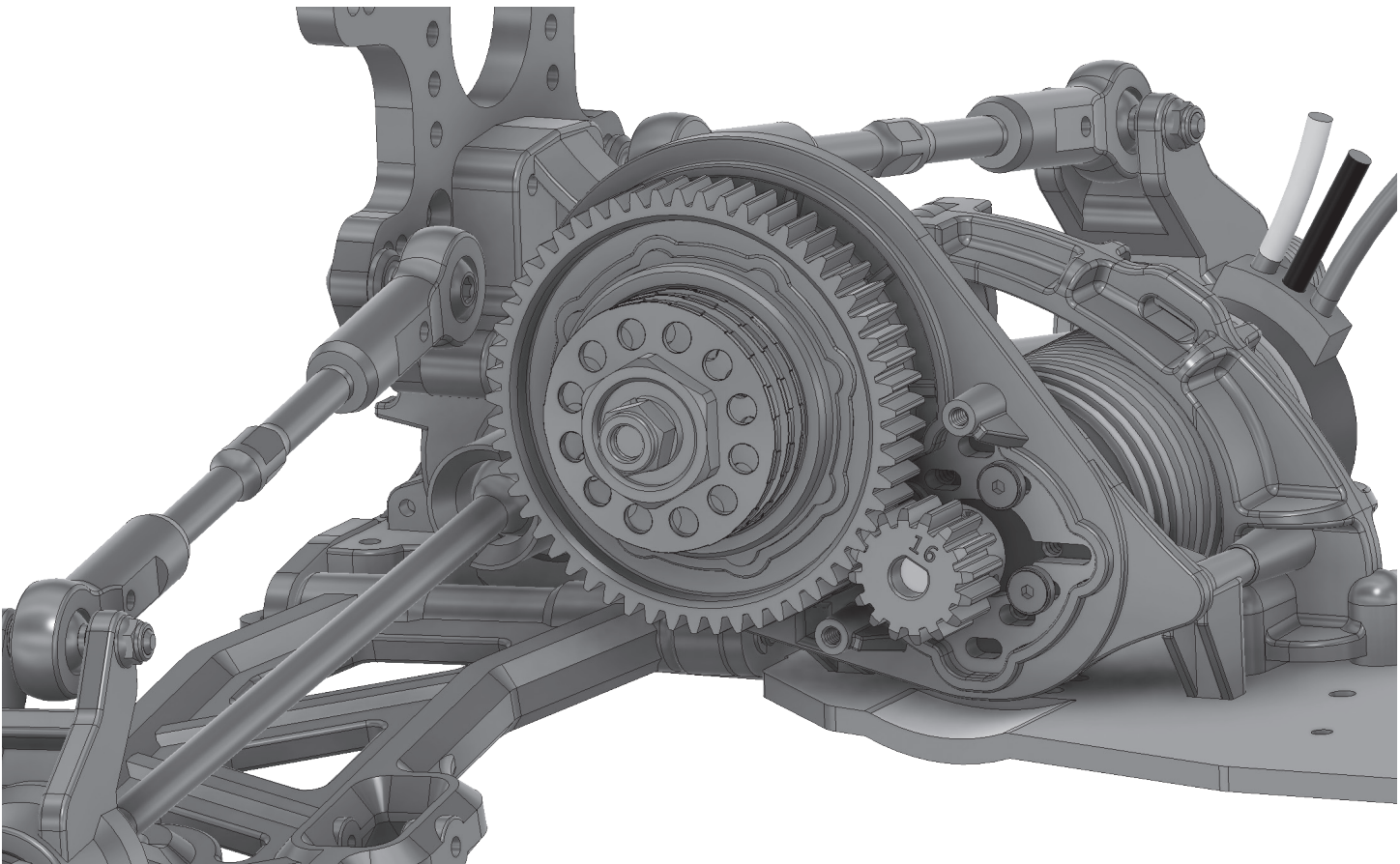


ASSEMBLY	ITEM NUMBER	NAME	QUANTITY
1	KVS425	Slipper Disk	2
2	KV4414	Slipper Pad	2
3	KVS423	Spur Gear T57	1
4	KV3306	Disk Spring	5
5	KVS463	Adjusting Nut	1

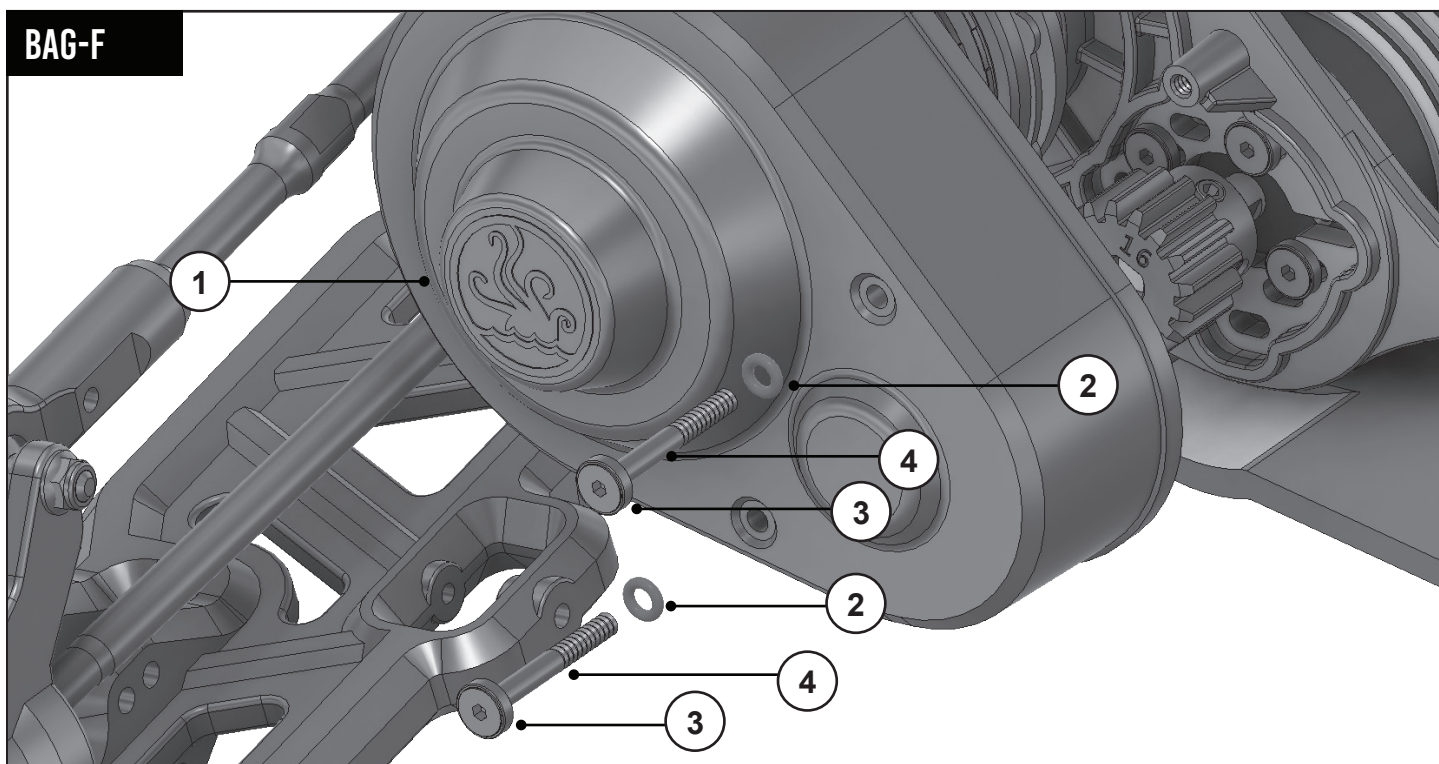




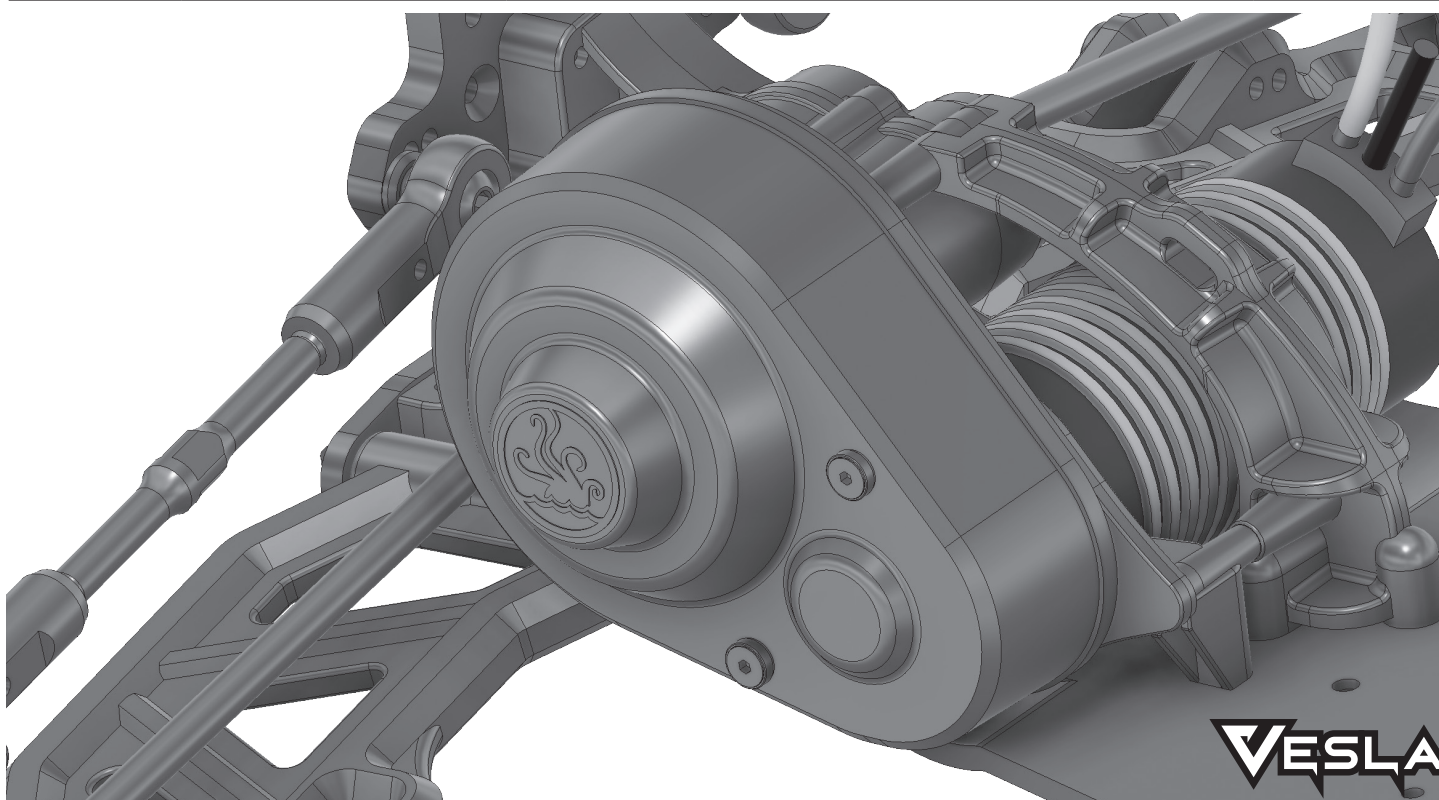
ASSEMBLY	ITEM NUMBER	NAME	QUANTITY
1	KV3383	Lock Washer M8	1
2	KV3349	Lock Nut M8	1



BAG-F



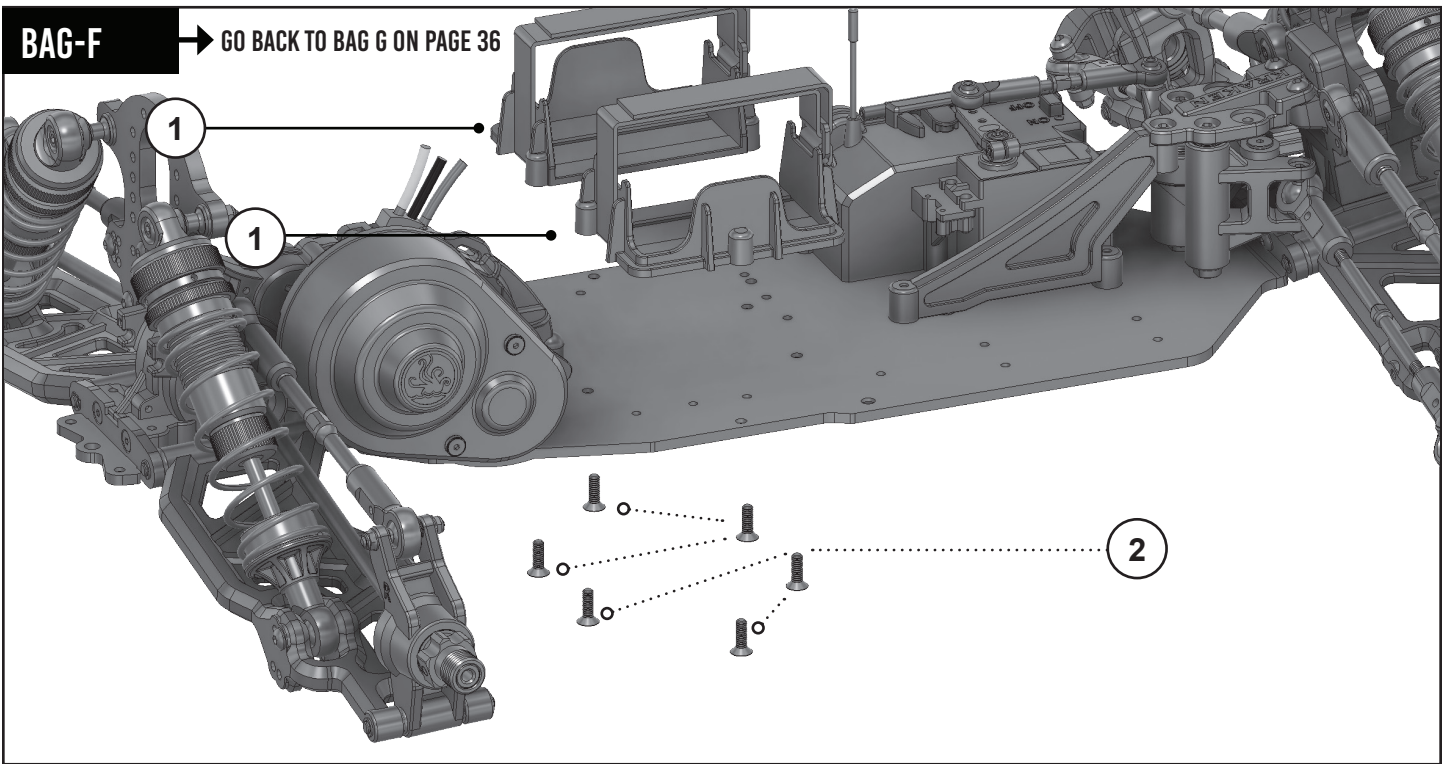
ASSEMBLY	ITEM NUMBER	NAME	QUANTITY
1	KVS501	Gear Cover	1
2	KVS480	O-Ring 038x019mm	2
3	KVS518	Washer FH4mm	2
4	KVS521	FH4x30mm	2



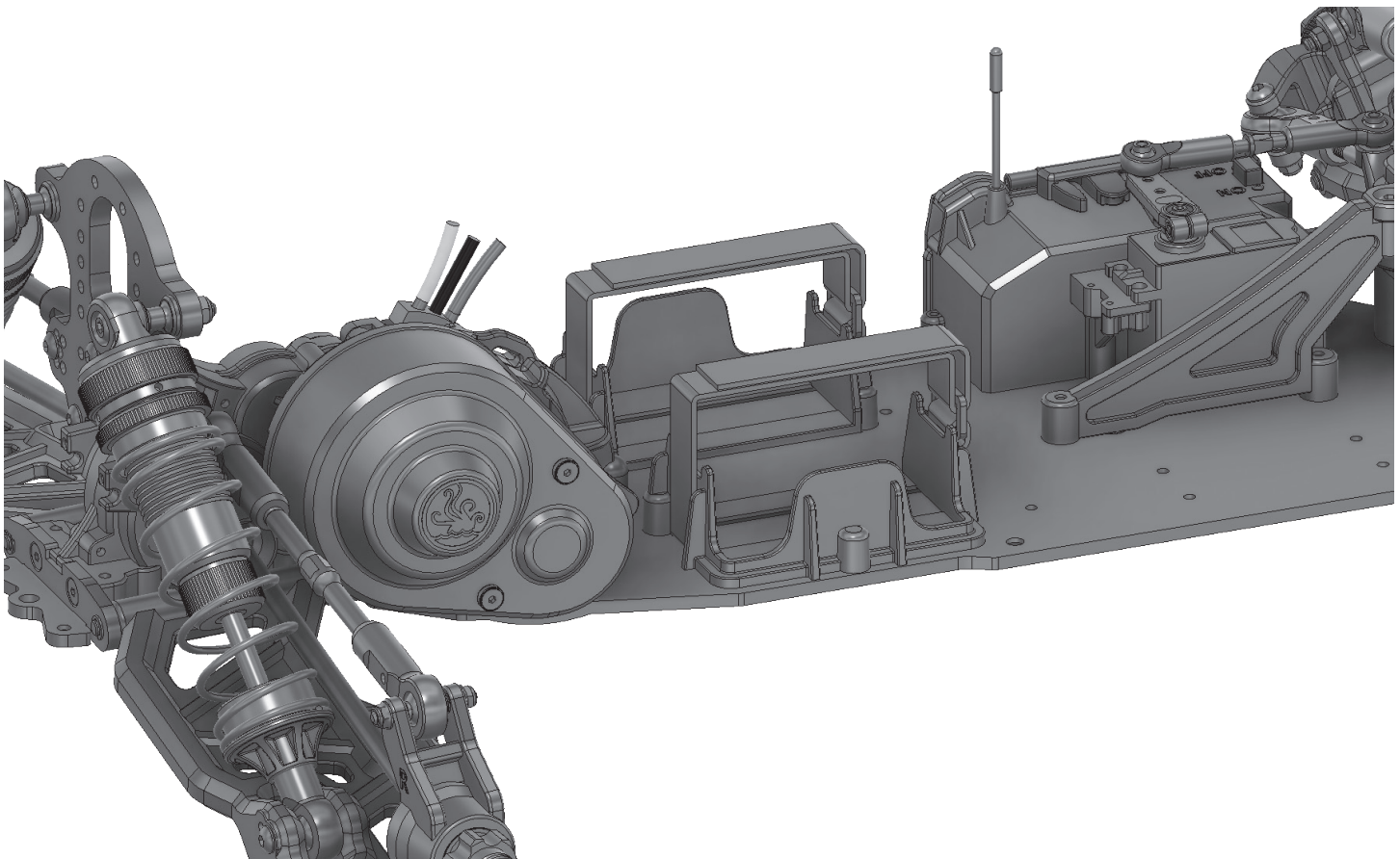
VESPA 5

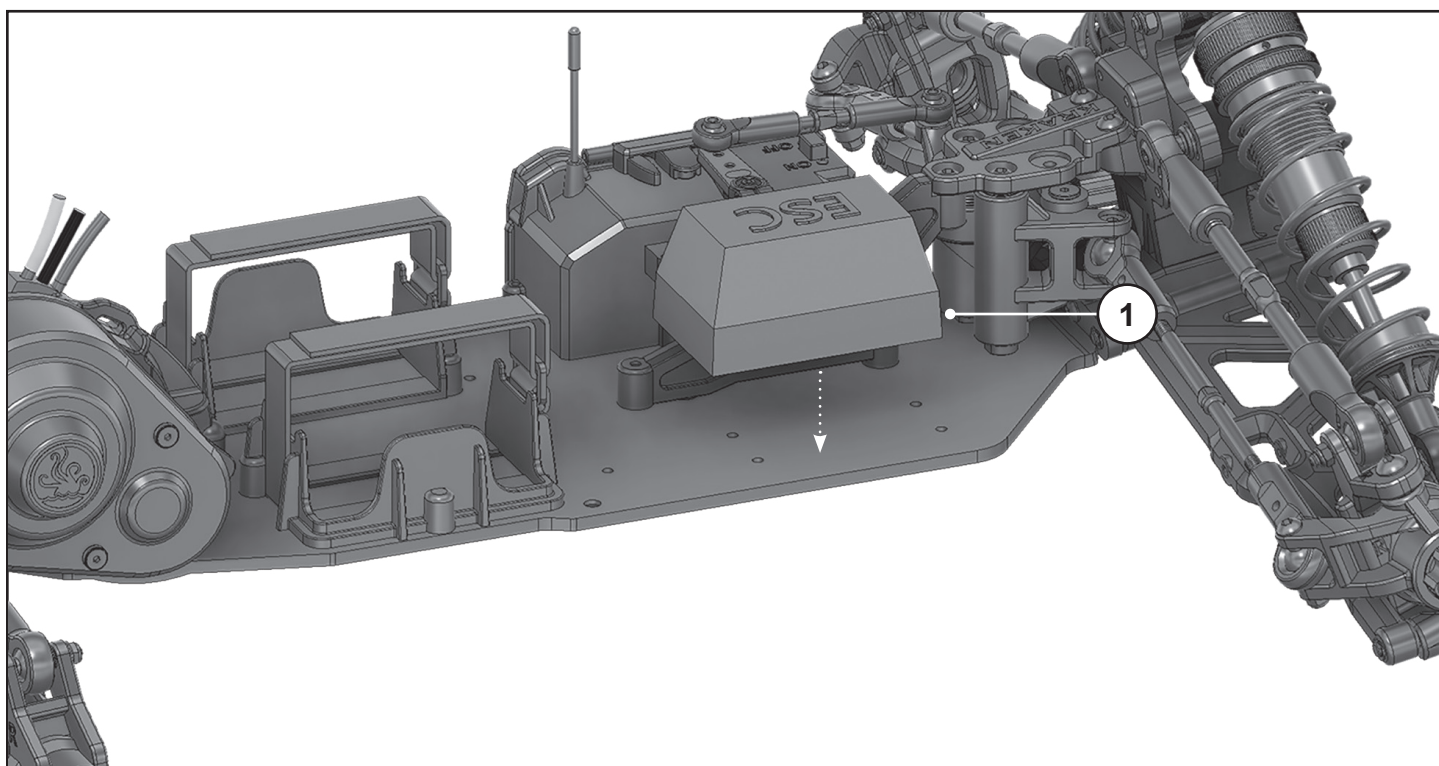
BAG-F

→ GO BACK TO BAG G ON PAGE 36

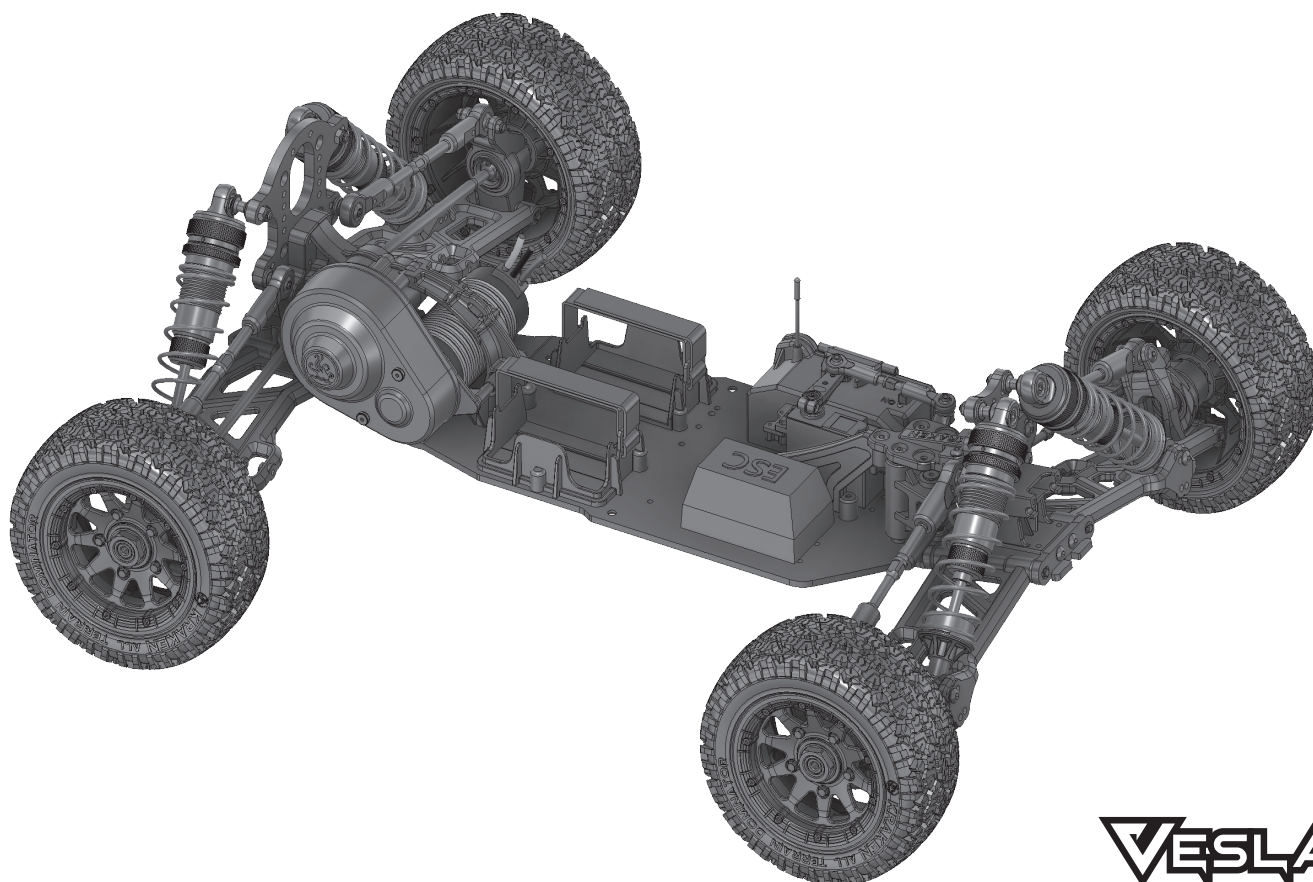


ASSEMBLY	ITEM NUMBER	NAME	QUANTITY
1	KVS140	Battery Holder and Velcro Straps	2
2	KV3366	FH5x16mm	6





ASSEMBLY	ITEM NUMBER	NAME	QUANTITY
1		ESC's Position	1



VESLA.5



SBK

WWW.KRAKENRC.COM